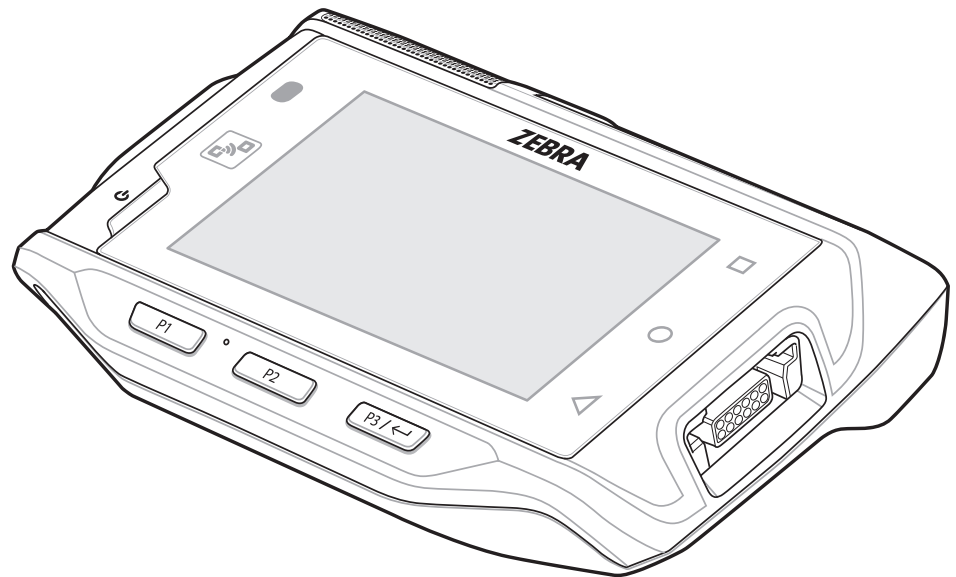
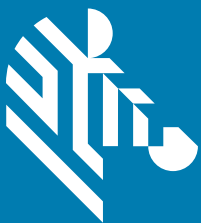


WT6300

Wearable Computer



Quick Start Guide



ZEBRA

Copyright

ZEBRA and the stylized Zebra head are trademarks of Zebra Technologies Corporation, registered in many jurisdictions worldwide. Google, Android, Google Play and other marks are trademarks of Google LLC. All other trademarks are the property of their respective owners. ©2020 Zebra Technologies Corporation and/or its affiliates. All rights reserved.

COPYRIGHTS & TRADEMARKS: For complete copyright and trademark information, go to www.zebra.com/copyright.

WARRANTY: For complete warranty information, go to www.zebra.com/warranty.

END USER LICENSE AGREEMENT: For complete EULA information, go to www.zebra.com/eula.

Terms of Use

- Proprietary Statement

This manual contains proprietary information of Zebra Technologies Corporation and its subsidiaries (“Zebra Technologies”). It is intended solely for the information and use of parties operating and maintaining the equipment described herein. Such proprietary information may not be used, reproduced, or disclosed to any other parties for any other purpose without the express, written permission of Zebra Technologies.

- Product Improvements

Continuous improvement of products is a policy of Zebra Technologies. All specifications and designs are subject to change without notice.

- Liability Disclaimer

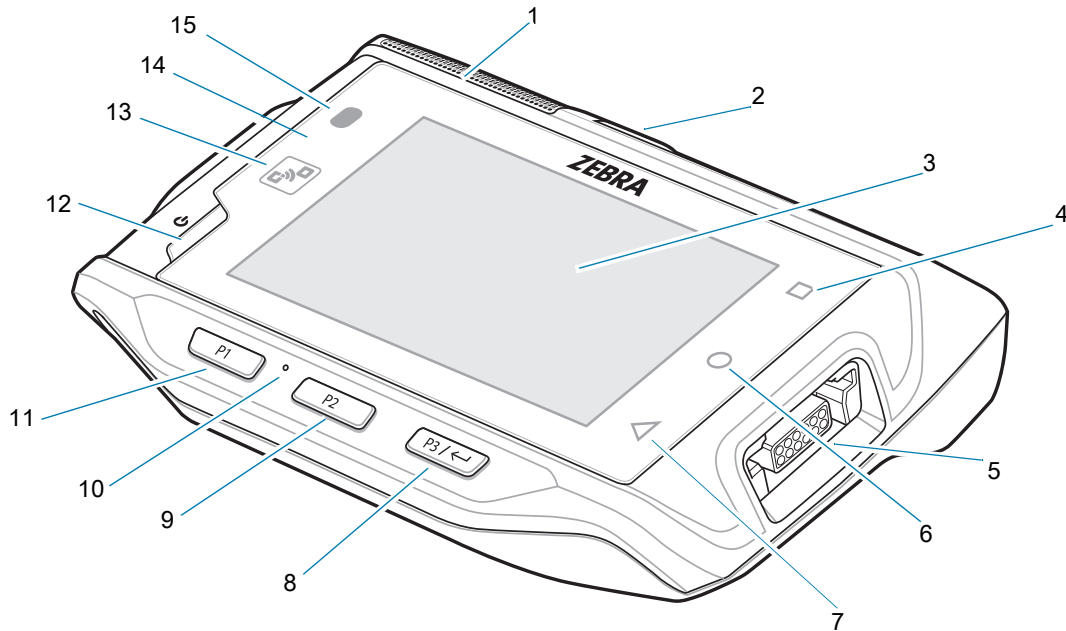
Zebra Technologies takes steps to ensure that its published Engineering specifications and manuals are correct; however, errors do occur. Zebra Technologies reserves the right to correct any such errors and disclaims liability resulting therefrom.

- Limitation of Liability

In no event shall Zebra Technologies or anyone else involved in the creation, production, or delivery of the accompanying product (including hardware and software) be liable for any damages whatsoever (including, without limitation, consequential damages including loss of business profits, business interruption, or loss of business information) arising out of the use of, the results of use of, or inability to use such product, even if Zebra Technologies has been advised of the possibility of such damages. Some jurisdictions do not allow the exclusion or limitation of incidental or consequential damages, so the above limitation or exclusion may not apply to you.

Device Features

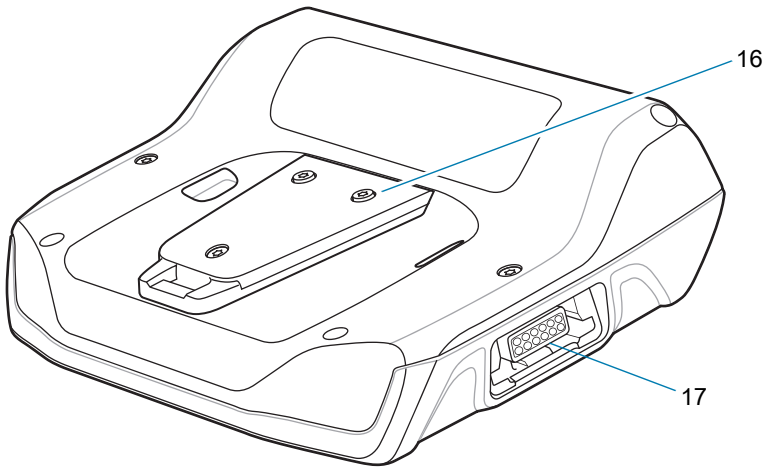
Figure 1 Front View



Number	Item	Function
1	Speaker	Provides audio output for video and music playback.
2	Battery ¹	Provides power to the device.
3	Display	Displays all information needed to operate the device.
4	Recent button	Displays recently open applications.
5	Right interface connector	Provides USB host and client communication, audio and device charging via cables and accessories.
6	Home button	Displays the Home screen.
7	Back button	Displays the previous screen.
8	P3 button / Enter button	Initiates Push-To-Talk communication (programmable). Use as the Enter button when a keypad is attached.
9	P2 button	Increases volume.
10	Microphone	Use for communication on handset.
11	P1 button	Decreases volume.
12	Power button	Turns the display on and off. Press and hold to reset the device and power off.
13	NFC antenna	Provides communication with other NFC-enabled devices.
14	Ambient light sensor	Determines ambient light for controlling display backlight intensity.
15	Notification/Charge LED	Indicates battery charging status while charging with USB Charge cable and provide notifications from applications.

¹ Standard battery is shown.

Figure 2 Rear View



Number	Item	Function
16	Cleat	Provides alignment and secures the device to the wrist and hip mounts.
17	Left interface connector	Provides USB host and client communication, audio and device charging via cables and accessories.

Installing the Battery

To install the battery:

1. Insert the end of the battery into the battery well.

Figure 3 Standard Battery Installation

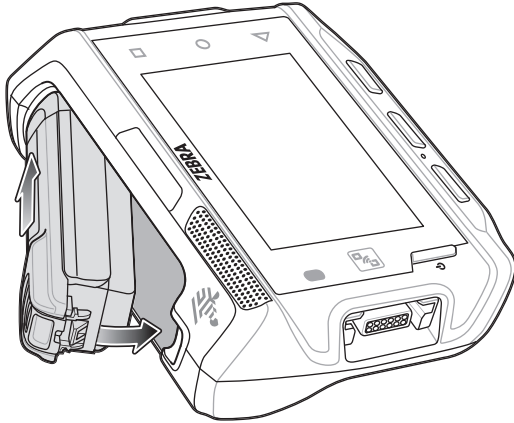
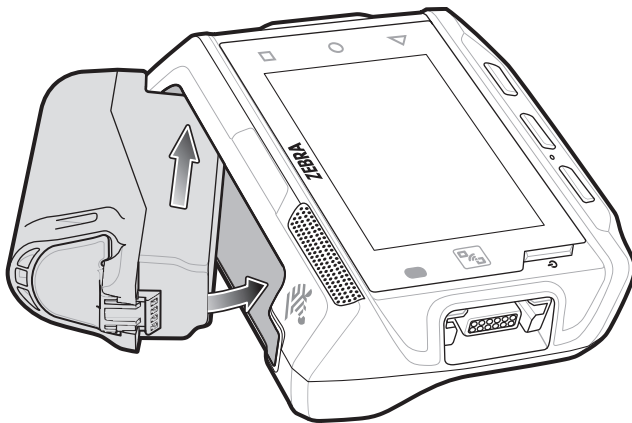


Figure 4 Extended Battery Installation



2. Press the battery down until it snaps into place.

Replacing the Battery

To remove the battery:

1. Press the Power button to place the device in suspend mode.
2. Using finger tip, press the battery release latch toward the end of the battery.

Figure 5 Pull Release Latch Back on Standard Battery

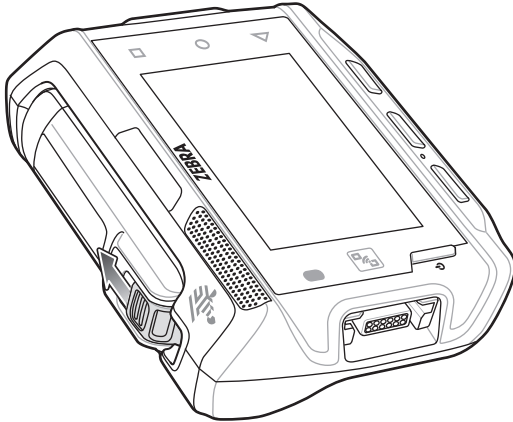
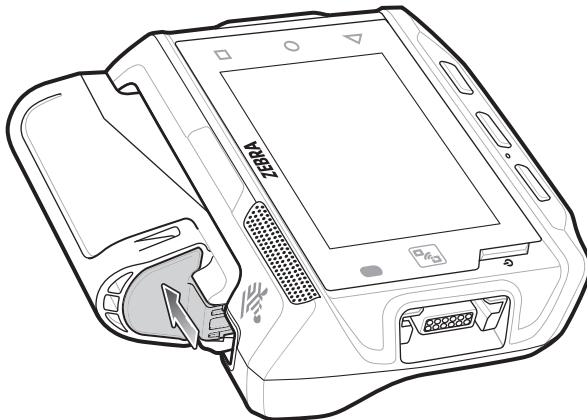


Figure 6 Pull Release Latch Back on Extended Battery



3. Lift the battery out of the battery well.

Figure 7 Standard Battery Removal

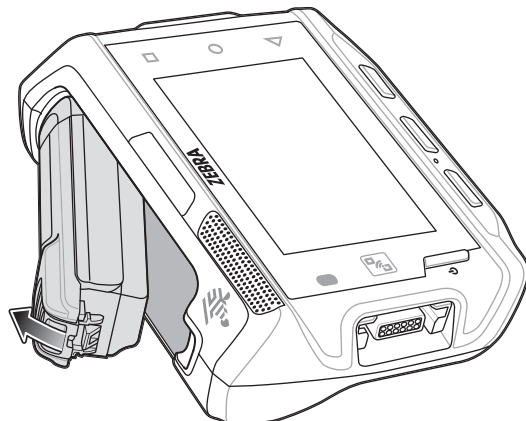
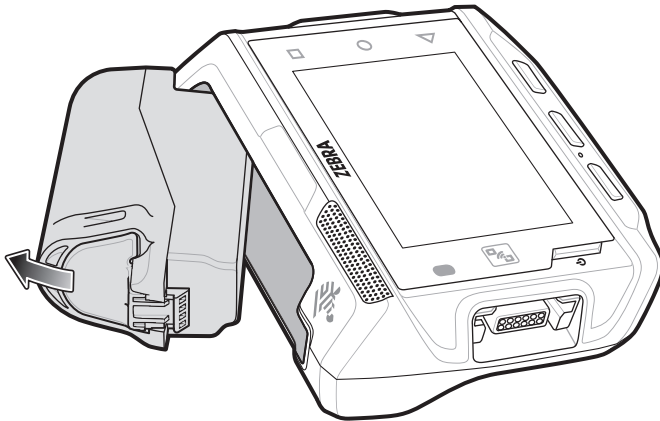


Figure 8 Extended Battery Removal



4. Insert the end of the battery into the battery well.

Figure 9 Standard Battery Installation

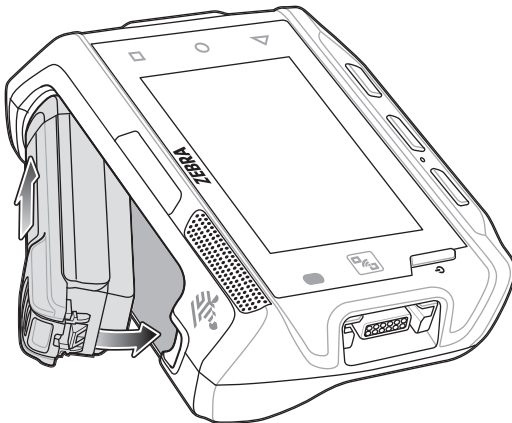
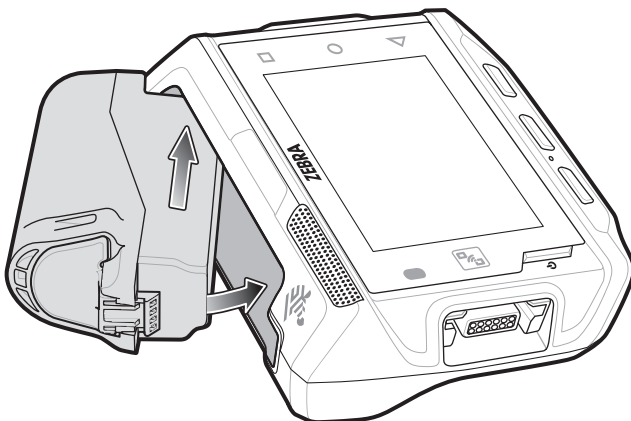


Figure 10 Extended Battery Installation



5. Press the battery down until it snaps into place.

Charging the Device

Use one of the following accessories to charge the device and/or spare battery.

Table 1 Charging and Communication

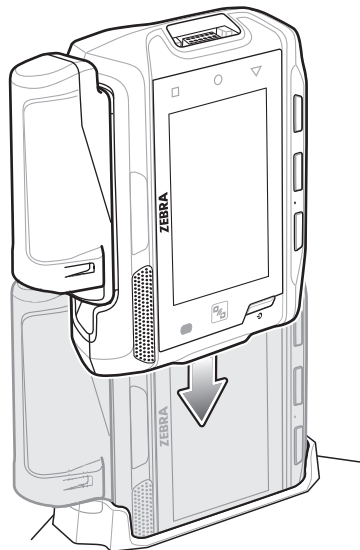
Description	Part Number	Charging		Communication	
		Battery (In Device)	Spare Battery	USB	Ethernet
1-Slot USB Charging Cradle	CRD-NGWT-1S1BU-01	Yes	Yes	Yes	No
2-Slot Device/RS6000 Charging Cradle	CRD-NWTRS-2SUCH-01	Yes	No	Yes	No
5-Slot Charge Only Cradle	CRD-NGWT-5S5BC-02	Yes	Yes	No	No
5-Slot Ethernet Cradle	CRD-NGWT-5S5BE-02	Yes	Yes	No	Yes
10-Slot Device/RS6000 Charge Only Cradle	CRD-NWTRS-10SCH-02	Yes	No	No	No
10-Slot Charge Only Cradle	CRD-NGWT-10SCH-02	Yes	No	No	No
4-Slot Battery Charger	SAC-NWTRS-4SCH-01	No	Yes	No	No
20-Slot Battery Charger	SAC-NWTRS-20SCH-01	No	Yes	No	No
USB/Charge Cable	CBL-NGWT-USBCHG-01	Yes	No	Yes	No



NOTE: Ensure that you follow the guidelines for battery safety described in the device Product Reference Guide.

1. If you are charging a device with a standard battery, insert either end of the device into the device charging slot. If you are charging a device with an extended battery, insert the end of the device into the device charging slot as shown in [Figure 11](#).

Figure 11 Extended Battery in Charging Slot



2. Ensure the device is seated properly.

When using the USB Charge cable, the Notification/Charge LED lights amber while charging, then turns solid green when fully charged.

When using a cradle, the cradle Charging LED lights amber while charging, then turns solid green when fully charged.

The standard battery fully charges in approximately four hours at room temperature. The extended battery fully charges in approximately five hours and 30 minutes at room temperature.

Charging the Spare Battery

1. Insert a spare battery into the spare battery slot.
2. Ensure the battery is seated properly.

The Spare Battery Charging LED blinks indicating charging. See [Table 2](#) for charging indicators. The standard battery fully charges in approximately four hours at room temperature. The extended battery fully charges in approximately five hours and 30 minutes at room temperature.

Table 2 Charging LED Indicators

State	Indication
Off	The battery is not charging. The battery is not inserted correctly in the cradle or connected to a power source. Cradle is not powered.
Solid Amber	Battery is charging.

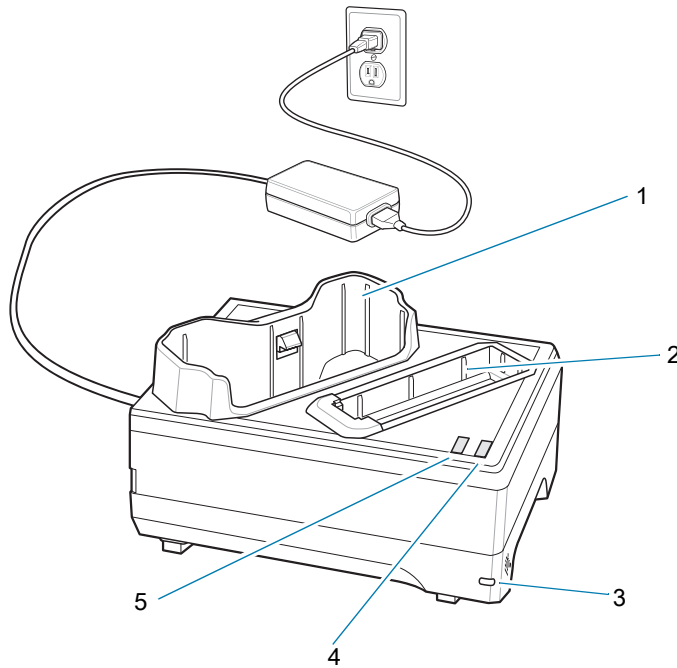
Table 2 Charging LED Indicators (Continued)

State	Indication
Solid Green	Battery charging is complete.
Fast Blinking Red (2 blinks/second)	Charging error, for example: - Temperature is too low or too high. - Charging has gone on too long without completion (typically eight hours).
Solid Red	Unhealthy battery is charging or fully charged.

Charging Temperature

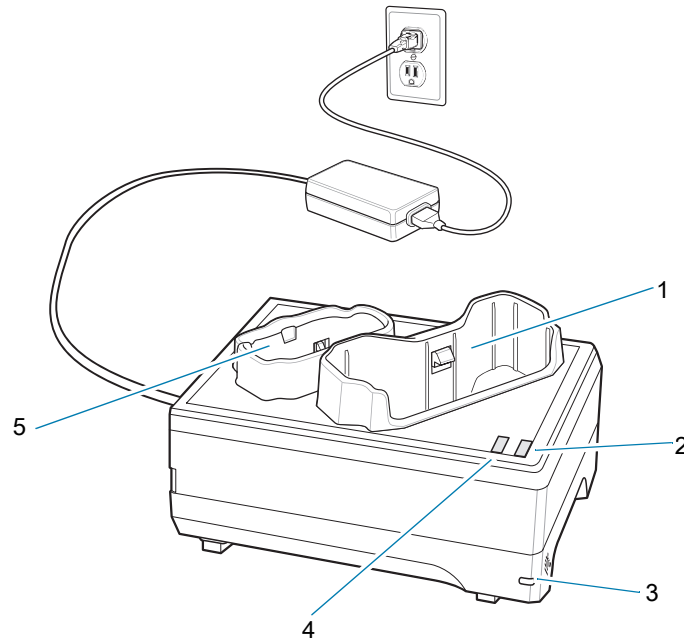
Charge batteries in temperatures from 0°C to 40°C (32°F to 104°F). The device or cradle always performs battery charging in a safe and intelligent manner. At higher temperatures (for example, approximately +37°C (+98°F)) the device or cradle may for small periods of time alternately enable and disable battery charging to keep the battery at acceptable temperatures. The device and cradle indicates when charging is disabled due to abnormal temperatures via its LED.

1-Slot USB Charging Cradle



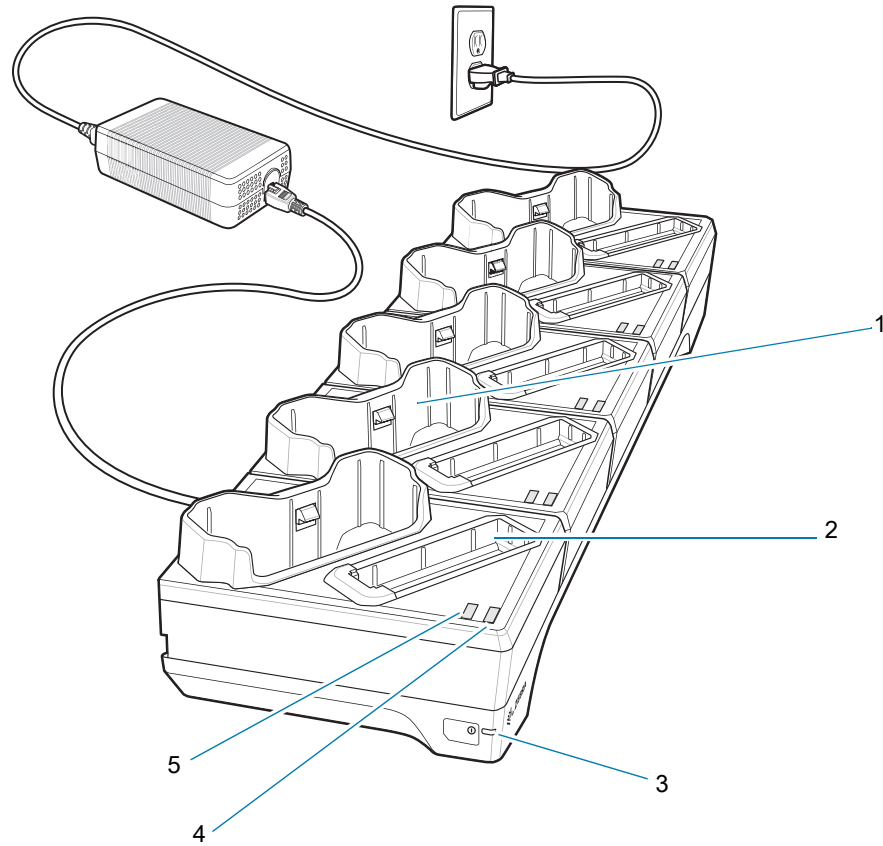
Number	Item
1	Device charging slot
2	Spare battery charging slot
3	Power LED
4	Spare battery charging LED
5	Device charging LED

2-Slot Device/RS6000 Charging Cradle



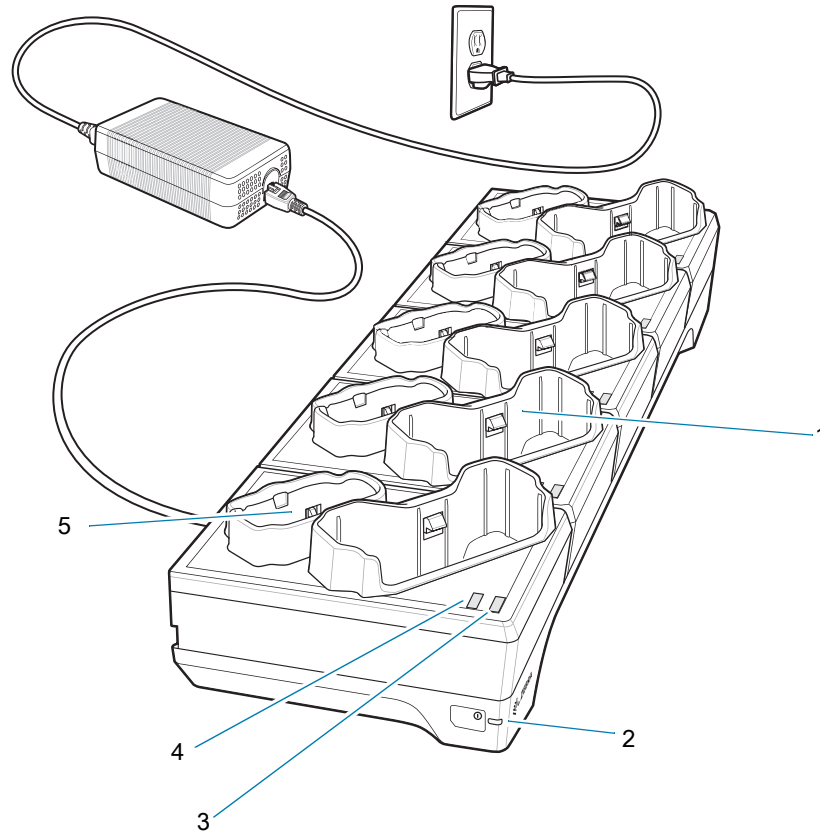
Number	Item
1	Device charging slot
2	Device charging LED
3	Power LED
4	RS6000 charging LED
5	RS6000 charging slot

5-Slot Charge Only Cradle



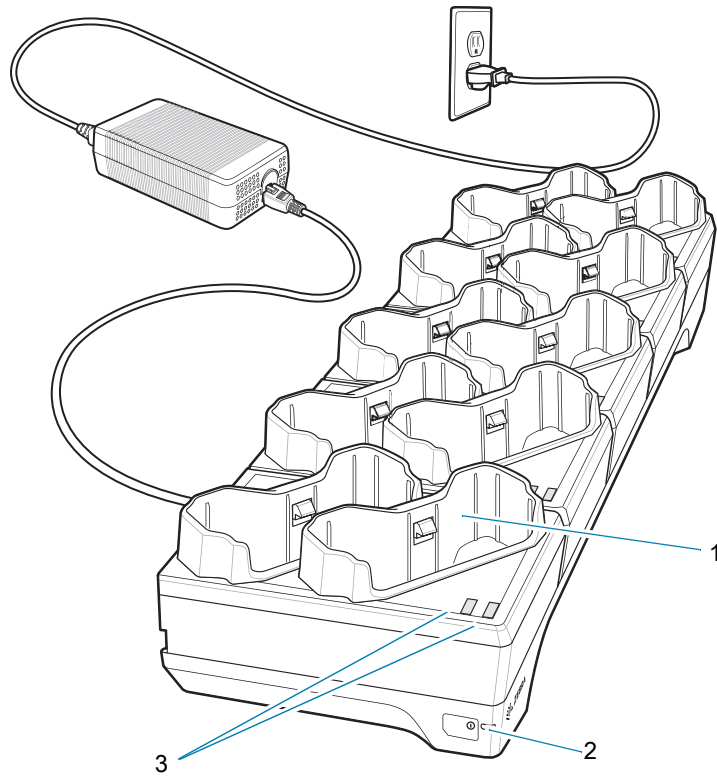
Number	Item
1	Device charging slot
2	Spare battery charging slot
3	Power LED
4	Spare battery charging LED
5	Device charging LED

10-Slot Device/RS6000 Charge Only Cradle



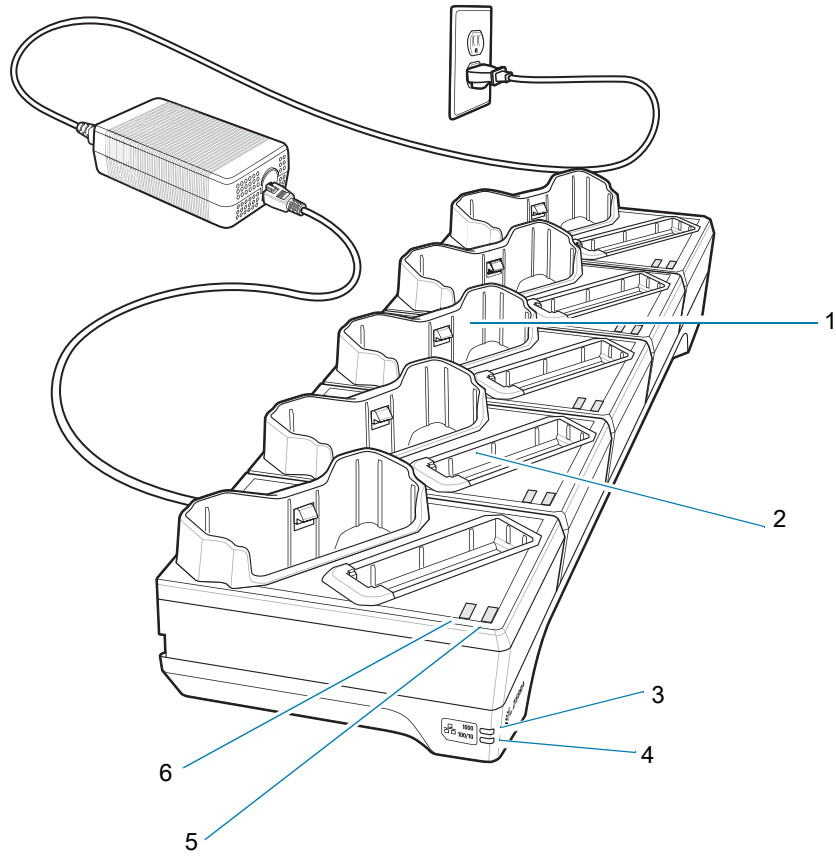
Number	Item
1	Device charging slot
2	Power LED
3	Device charging LED
4	RS6000 charging LED
5	RS6000 charging slot

10-Slot Charge Only Cradle



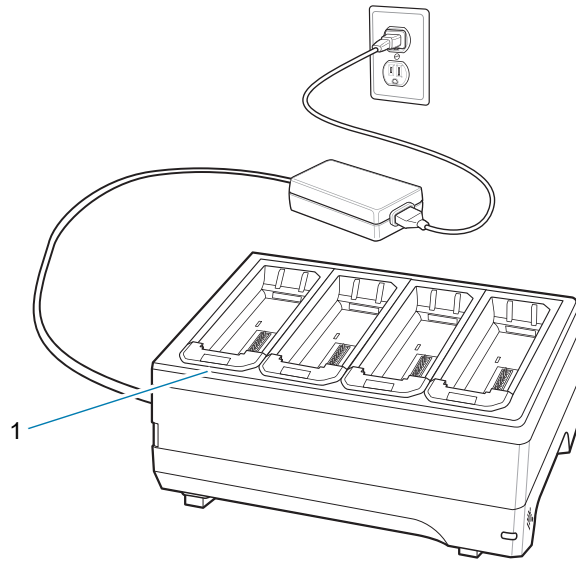
Number	Item
1	Device charging slot
2	Power LED
3	Device charging LEDs

5-Slot Ethernet Cradle



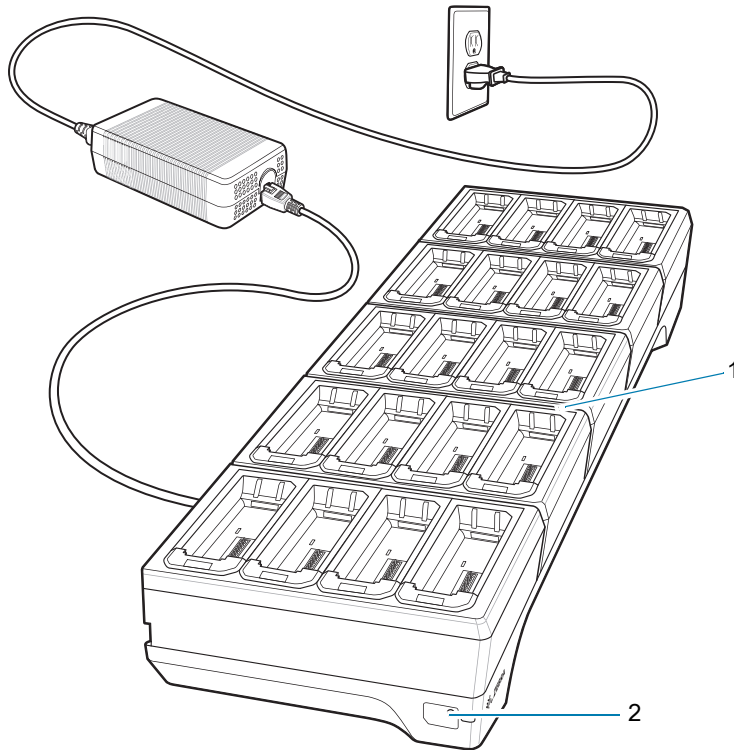
Number	Item
1	Device charging slot
2	Spare battery charging slot
3	1000 LED
4	100/100 LED
5	Spare battery charging LED
6	Device charging LED

4-Slot Battery Charger



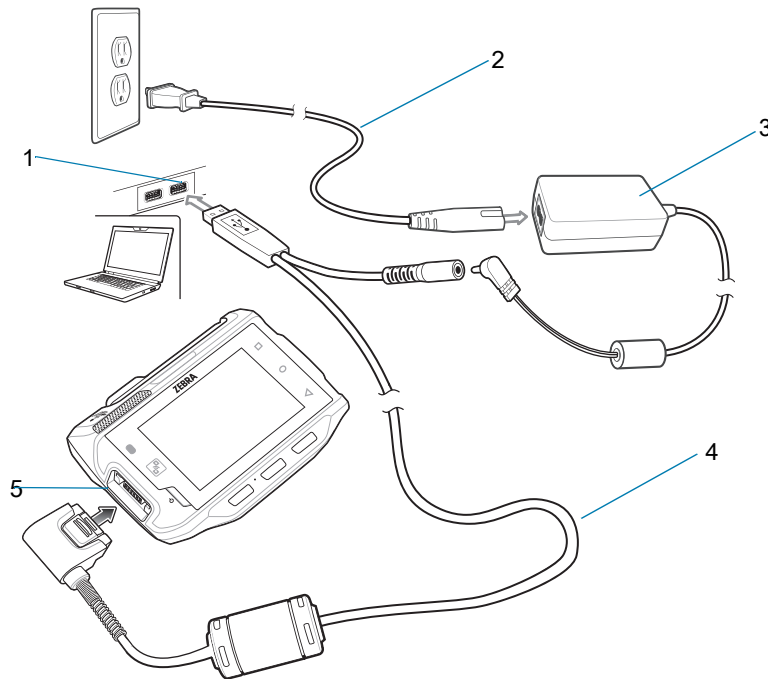
Number	Item
1	Battery charging LEDs (4)

20-Slot Battery Charger



Number	Item
1	Battery charging LEDs (20)
2	Power LED

USB/Charge Cable



Number	Item
1	USB port
2	AC line cord
3	Power supply
4	USB charge cable
5	Interface connector

Ergonomic Considerations

To avoid or minimize risk of ergonomic injury, follow these recommendations:

- Ensure that users are trained in proper mounting of the device.
- Ensure that the comfort pad is secured to the holder before mounting.
- Ensure that the device is not worn near the wrist joint.
- Ensure that the device is mounted so that the display is oriented towards the user.
- Ensure proper use and maintenance of the adjustable BOA strap.
- Match strap selection to user forearm – Use white coded BOA strap for small to medium forearm size, and use black coded BOA strap for medium to large forearm size.
- Maintain and clean wearable components such as straps and soft goods.
- Reduce or eliminate unnecessary repetitive motion and activation.
- Maintain a neutral posture.
- Reduce or eliminate elevated or raised arm and shoulder postures.
- Reduce or eliminate excessive force.
- Keep objects that are used frequently within easy reach.
- Perform tasks at correct heights.
- Reduce or eliminate direct pressure.
- Provide adequate clearance.
- Provide a suitable working environment.

