

#01_WLAN2.4GHz_802.11b 1Mbps_Left Side_0mm_Ch6;Ant 1

Communication System: 802.11b; Frequency: 2437 MHz; Duty Cycle: 1:1.007

Medium: MSL_2450_190124 Medium parameters used: $f = 2437$ MHz; $\sigma = 2.007$ S/m; $\epsilon_r = 53.318$; $\rho = 1000$ kg/m³

Ambient Temperature : 23.5 °C; Liquid Temperature : 22.5 °C

DASY5 Configuration:

- Probe: ES3DV3 - SN3270; ConvF(4.36, 4.36, 4.36) ; Calibrated: 2018/9/24
- Sensor-Surface: 3mm (Mechanical Surface Detection)
- Electronics: DAE3 Sn495; Calibrated: 2018/5/24
- Phantom: ELI v5.0; Type: QDOVA002AA; Serial: TP:1227
- Measurement SW: DASY52, Version 52.10 (1); SEMCAD X Version 14.6.11 (7439)

Area Scan (81x131x1): Interpolated grid: dx=1.200 mm, dy=1.200 mm

Maximum value of SAR (interpolated) = 1.41 W/kg

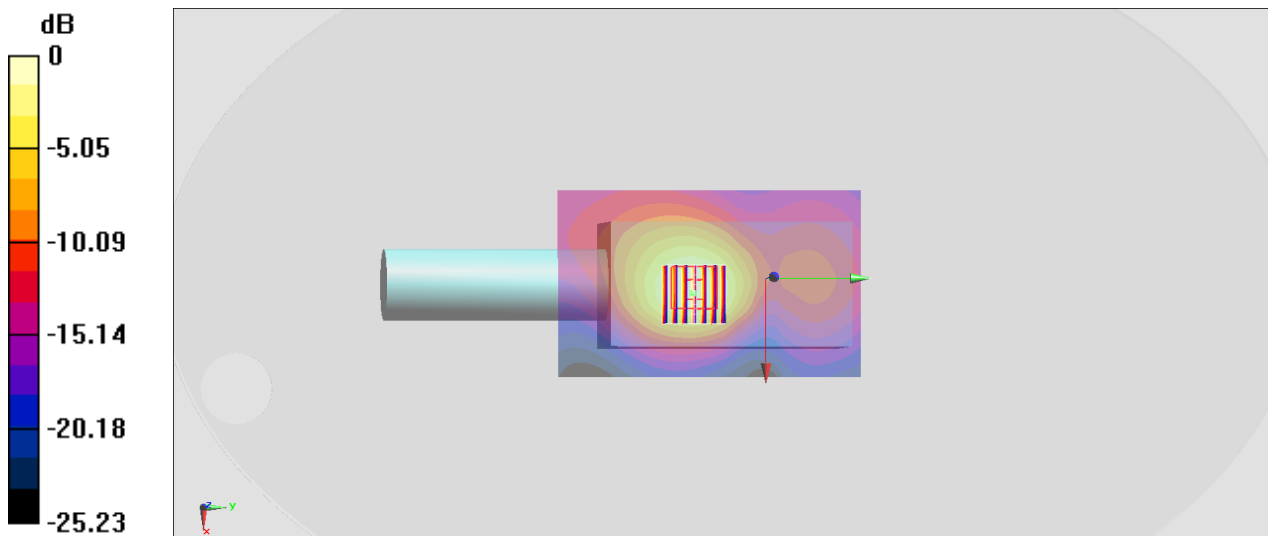
Zoom Scan (7x7x7)/Cube 0: Measurement grid: dx=5mm, dy=5mm, dz=5mm

Reference Value = 26.01 V/m; Power Drift = -0.05 dB

Peak SAR (extrapolated) = 1.86 W/kg

SAR(1 g) = 1.03 W/kg; SAR(10 g) = 0.556 W/kg

Maximum value of SAR (measured) = 1.26 W/kg



0 dB = 1.41 W/kg = 1.49 dBW/kg

#02_WLAN5GHz_802.11a 6Mbps_Right Side_0mm_Ch52;Ant 2

Communication System: 802.11a; Frequency: 5260 MHz; Duty Cycle: 1:1.049

Medium: MSL_5G_190123 Medium parameters used: $f = 5260$ MHz; $\sigma = 5.4$ S/m; $\epsilon_r = 48.799$; $\rho = 1000$ kg/m³

Ambient Temperature : 23.5 °C; Liquid Temperature : 22.5 °C

DASY5 Configuration:

- Probe: EX3DV4 - SN3642; ConvF(3.87, 3.87, 3.87) ; Calibrated: 2018/4/27
- Sensor-Surface: 1.4mm (Mechanical Surface Detection)
- Electronics: DAE4 Sn854; Calibrated: 2018/6/14
- Phantom: ELI v5.0; Type: QDOVA002AA; Serial: TP:1227
- Measurement SW: DASY52, Version 52.10 (1); SEMCAD X Version 14.6.11 (7439)

Area Scan (101x161x1): Interpolated grid: dx=1.000 mm, dy=1.000 mm

Maximum value of SAR (interpolated) = 2.27 W/kg

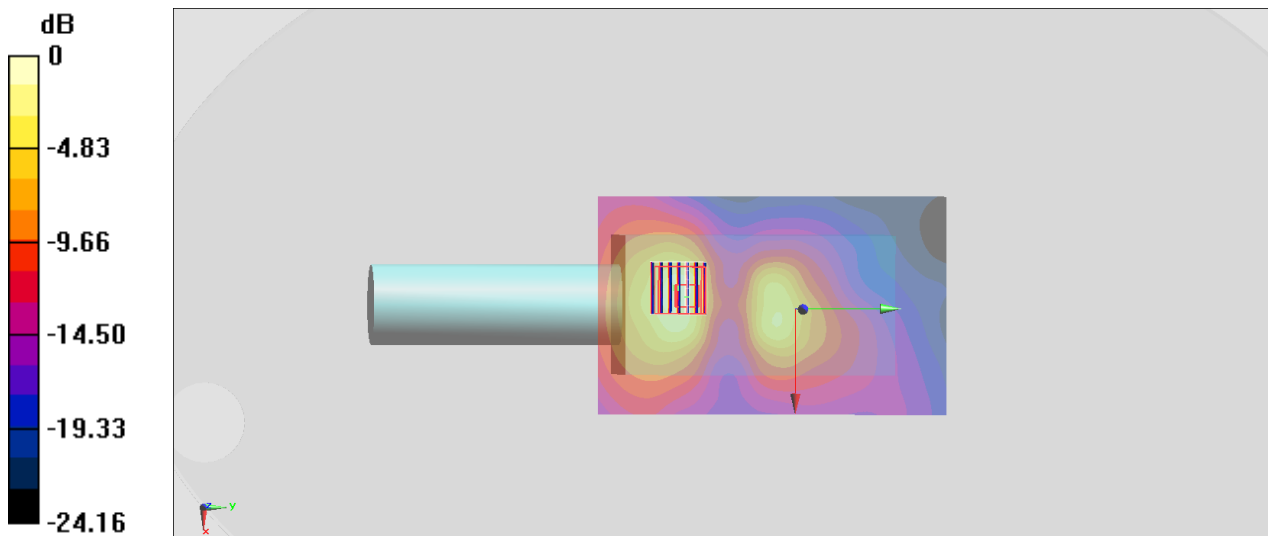
Zoom Scan (7x7x7)/Cube 0: Measurement grid: dx=4mm, dy=4mm, dz=1.4mm

Reference Value = 12.96 V/m; Power Drift = 0.02 dB

Peak SAR (extrapolated) = 3.37 W/kg

SAR(1 g) = 0.987 W/kg; SAR(10 g) = 0.397 W/kg

Maximum value of SAR (measured) = 2.22 W/kg



0 dB = 2.27 W/kg = 3.56 dBW/kg

#03_WLAN5GHz_802.11a 6Mbps_Left Side_0mm_Ch116;Ant 1

Communication System: 802.11a ; Frequency: 5580 MHz;Duty Cycle: 1:1.044

Medium: MSL_5G_190130 Medium parameters used: $f = 5580$ MHz; $\sigma = 5.563$ S/m; $\epsilon_r = 49.482$; $\rho = 1000$ kg/m³

Ambient Temperature : 23.7 °C ; Liquid Temperature : 22.7 °C

DASY5 Configuration:

- Probe: EX3DV4 - SN3931; ConvF(3.82, 3.82, 3.82) ; Calibrated: 2018/9/27
- Sensor-Surface: 1.4mm (Mechanical Surface Detection)
- Electronics: DAE4 Sn1399; Calibrated: 2018/11/16
- Phantom: ELI v5.0; Type: QDOVA002AA; Serial: 1131
- Measurement SW: DASY52, Version 52.10 (1);SEMCAD X Version 14.6.11 (7439)

Area Scan (81x141x1): Interpolated grid: dx=1.000 mm, dy=1.000 mm

Maximum value of SAR (interpolated) = 2.88 W/kg

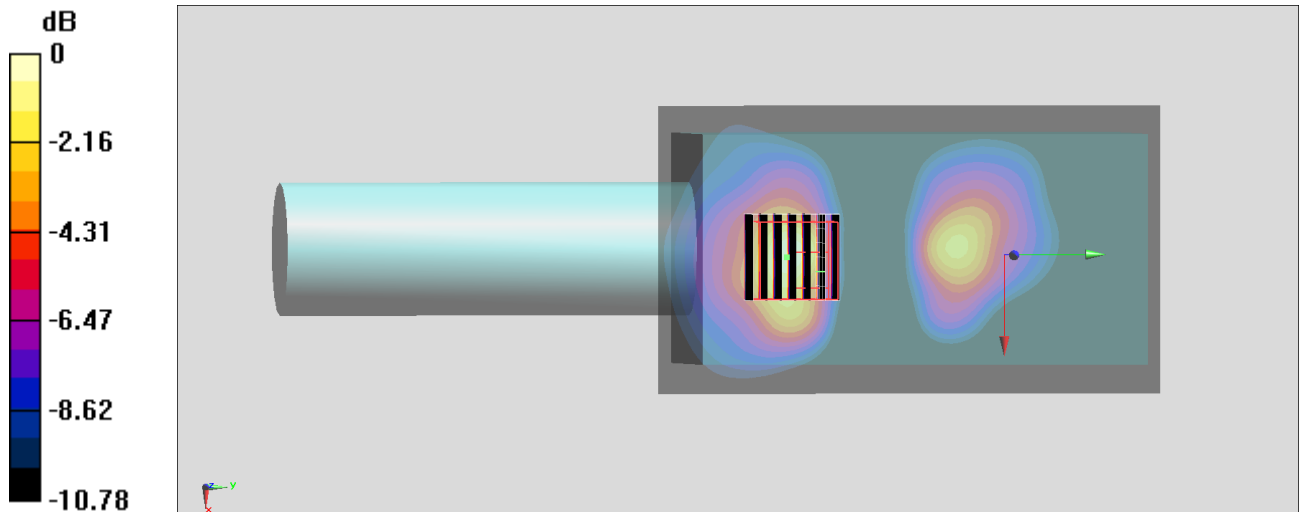
Zoom Scan (7x7x7)/Cube 0: Measurement grid: dx=4mm, dy=4mm, dz=1.4mm

Reference Value = 18.96 V/m; Power Drift = -0.13 dB

Peak SAR (extrapolated) = 5.03 W/kg

SAR(1 g) = 1.2 W/kg; SAR(10 g) = 0.484 W/kg

Maximum value of SAR (measured) = 2.92 W/kg



0 dB = 2.92 W/kg = 4.65 dBW/kg

#04_WLAN5GHz_802.11a 6Mbps_Left Side_0mm_Ch157;Ant 1

Communication System: 802.11a ; Frequency: 5785 MHz;Duty Cycle: 1:1.044

Medium: MSL_5G_190129 Medium parameters used : $f = 5785$ MHz; $\sigma = 5.898$ S/m; $\epsilon_r = 46.124$; $\rho = 1000$ kg/m³

Ambient Temperature : 23.4 °C; Liquid Temperature : 22.4 °C

DASY5 Configuration:

- Probe: EX3DV4 - SN3642; ConvF(3.73, 3.73, 3.73) ; Calibrated: 2018/4/27
- Sensor-Surface: 1.4mm (Mechanical Surface Detection)
- Electronics: DAE4 Sn854; Calibrated: 2018/6/14
- Phantom: ELI v5.0; Type: QDOVA002AA; Serial: TP:1227
- Measurement SW: DASY52, Version 52.10 (1);SEMCAD X Version 14.6.11 (7439)

Area Scan (81x141x1): Interpolated grid: dx=1.000 mm, dy=1.000 mm

Maximum value of SAR (interpolated) = 3.06 W/kg

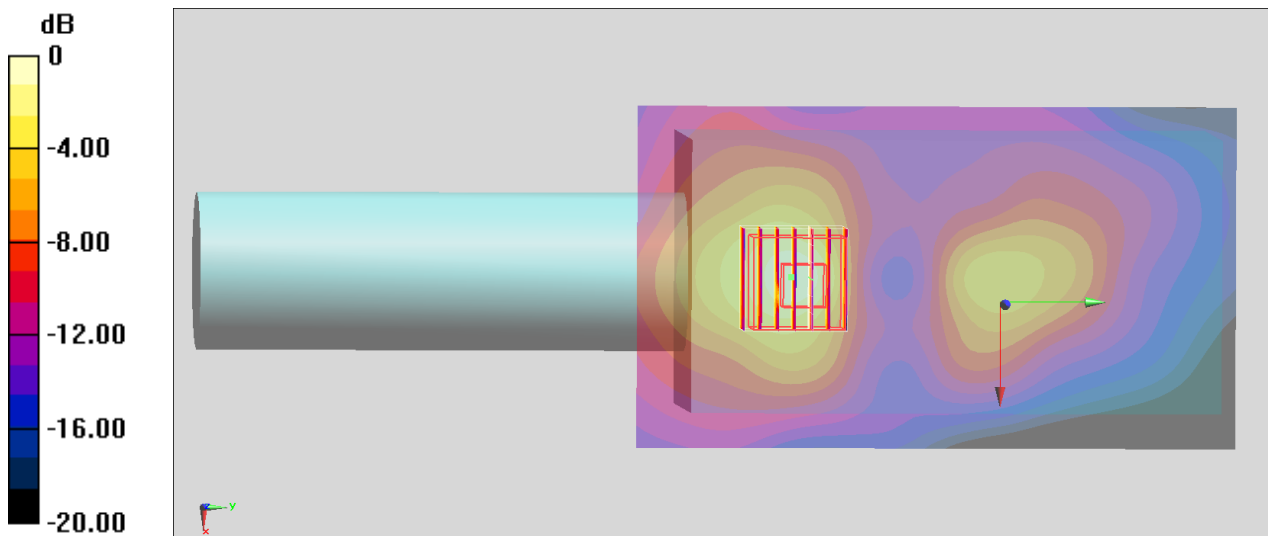
Zoom Scan (7x7x7)/Cube 0: Measurement grid: dx=4mm, dy=4mm, dz=1.4mm

Reference Value = 16.14 V/m; Power Drift = -0.13 dB

Peak SAR (extrapolated) = 5.07 W/kg

SAR(1 g) = 1.2 W/kg; SAR(10 g) = 0.442 W/kg

Maximum value of SAR (measured) = 2.82 W/kg



0 dB = 3.06 W/kg = 4.86 dBW/kg