

HAC_E_Dipole_835

DUT: HAC-Dipole 835 MHz

Communication System: CW; Frequency: 835 MHz; Duty Cycle: 1:1
 Medium: Air Medium parameters used: $\sigma = 0$ S/m, $\epsilon_r = 1$; $\rho = 0$ kg/m³
 Ambient Temperature : 23.5 °C

DASY5 Configuration

- Probe: ER3DV6 - SN2526; ConvF(1, 1, 1) @ 835 MHz; Calibrated: 2022/3/28
- Sensor-Surface: (Fix Surface)
- Electronics: DAE4 Sn1512; Calibrated: 2022/3/29
- Phantom: HAC Test Arch with AMCC; Type: SD HAC P01 BA;
- Measurement SW: DASY52, Version 52.10 (4); SEMCAD X Version 14.6.14 (7483)

E Scan - measurement distance from the probe sensor center to CD835 = 10mm & 15mm/Hearing Aid Compatibility Test at 15mm distance (41x361x1): Interpolated grid: dx=0.5000 mm, dy=0.5000 mm
 Device Reference Point: 0, 0, -6.3 mm
 Reference Value = 122.6 V/m; Power Drift = -0.01 dB
 PMR not calibrated. PMF = 1.000 is applied.
 E-field emissions = 107.1 V/m
 Average value of Total=(107.1+106.9) / 2 = 107 V/m

PMF scaled E-field

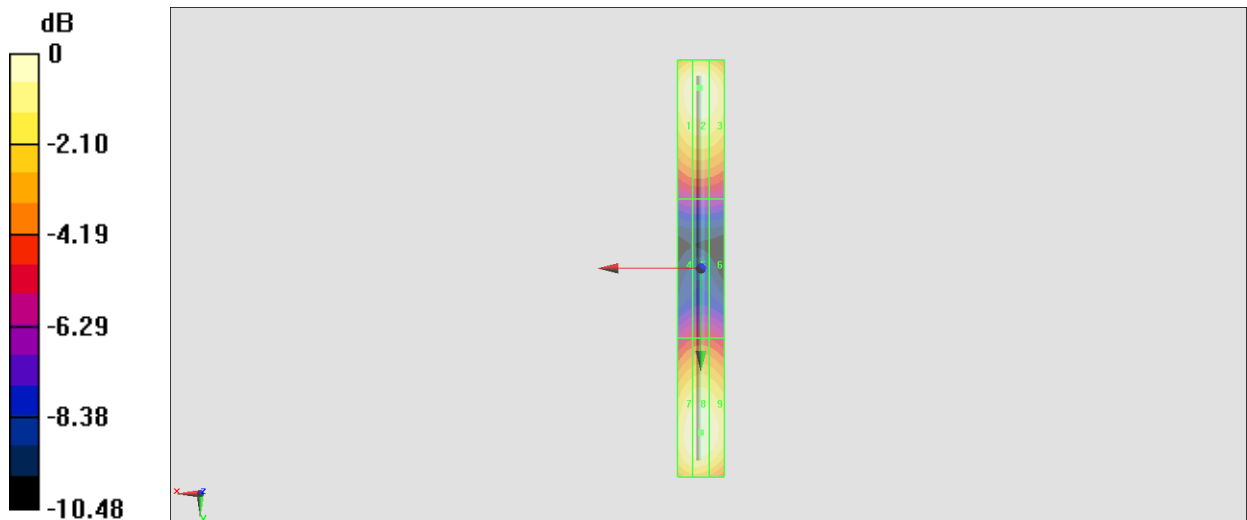
Grid 1 M4 105.5 V/m	Grid 2 M4 107.1 V/m	Grid 3 M4 104.7 V/m
Grid 4 M4 60.50 V/m	Grid 5 M4 61.68 V/m	Grid 6 M4 60.79 V/m
Grid 7 M4 105.5 V/m	Grid 8 M4 106.9 V/m	Grid 9 M4 105.2 V/m

Cursor:

Total = 107.1 V/m

E Category: M4

Location: 0.5, -78, 9.7 mm



0 dB = 107.1 V/m = 40.60 dBV/m

HAC_E_Dipole_835

DUT: HAC-Dipole 835 MHz

Communication System: CW; Frequency: 835 MHz; Duty Cycle: 1:1
 Medium: Air Medium parameters used: $\sigma = 0$ S/m, $\epsilon_r = 1$; $\rho = 0$ kg/m³
 Ambient Temperature : 23.5 °C

DASY5 Configuration

- Probe: EF3DV3 - SN4047; ConvF(1, 1, 1) @ 835 MHz; Calibrated: 2022/1/24
- Sensor-Surface: (Fix Surface)
- Electronics: DAE4 Sn1512; Calibrated: 2022/3/29
- Phantom: HAC Test Arch with AMCC; Type: SD HAC P01 BA;
- Measurement SW: DASY52, Version 52.10 (4); SEMCAD X Version 14.6.14 (7483)

E Scan - measurement distance from the probe sensor center to CD835 = 10mm & 15mm/Hearing Aid Compatibility Test at 15mm distance (41x361x1): Interpolated grid: dx=0.5000 mm, dy=0.5000 mm
 Device Reference Point: 0, 0, -6.3 mm
 Reference Value = 130.0 V/m; Power Drift = -0.04 dB
 PMR not calibrated. PMF = 1.000 is applied.
 E-field emissions = 122.2 V/m
 Average value of Total=(122.2+105.3) / 2 = 113.75 V/m

PMF scaled E-field

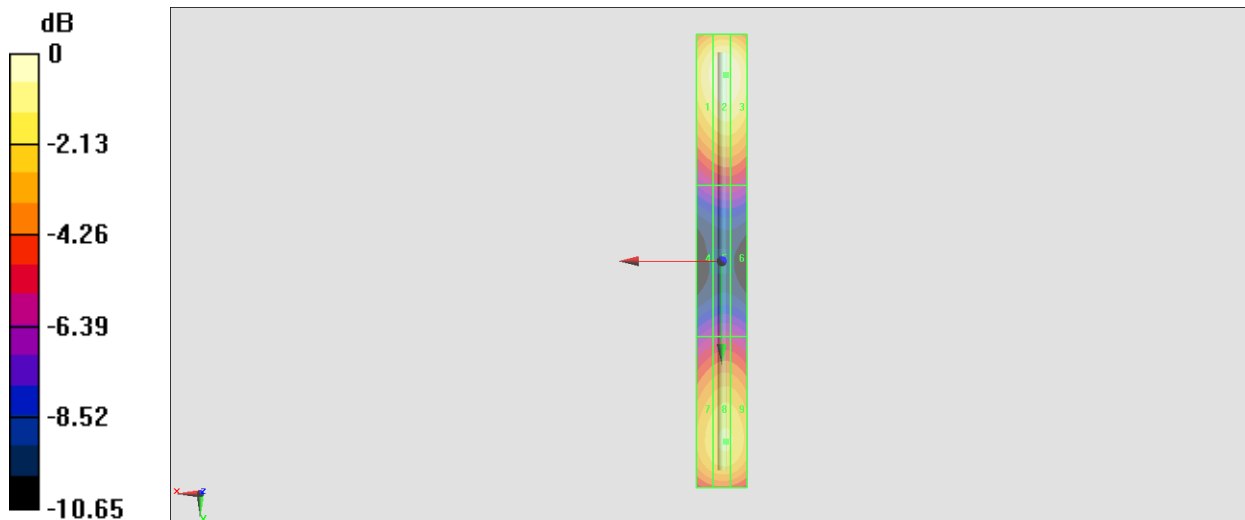
Grid 1 M4 116.7 V/m	Grid 2 M4 122.2 V/m	Grid 3 M4 121.2 V/m
Grid 4 M4 60.60 V/m	Grid 5 M4 63.17 V/m	Grid 6 M4 63.12 V/m
Grid 7 M4 101.3 V/m	Grid 8 M4 105.3 V/m	Grid 9 M4 104.6 V/m

Cursor:

Total = 122.2 V/m

E Category: M4

Location: -1.5, -74, 9.7 mm



0 dB = 122.2 V/m = 41.74 dBV/m

HAC_E_Dipole_1880

DUT: HAC Dipole 1880 MHz

Communication System: CW; Frequency: 1880 MHz; Duty Cycle: 1:1

Medium: Air Medium parameters used: $\sigma = 0$ S/m, $\epsilon_r = 1$; $\rho = 0$ kg/m³

Ambient Temperature : 23.5 °C

DASY5 Configuration

- Probe: ER3DV6 - SN2526; ConvF(1, 1, 1) @ 1880 MHz; Calibrated: 2022/3/28
- Sensor-Surface: (Fix Surface)
- Electronics: DAE4 Sn1512; Calibrated: 2022/3/29
- Phantom: HAC Test Arch with AMCC; Type: SD HAC P01 BA;
- Measurement SW: DASY52, Version 52.10 (4); SEMCAD X Version 14.6.14 (7483)

E Scan - measurement distance from the probe sensor center to CD1880 = 10mm & 15mm/Hearing Aid Compatibility Test at 15mm distance (41x181x1): Interpolated grid: dx=0.5000 mm, dy=0.5000 mm

Device Reference Point: 0, 0, -6.3 mm

Reference Value = 136.8 V/m; Power Drift = 0.14 dB

PMR not calibrated. PMF = 1.000 is applied.

E-field emissions = 88.21 V/m

Average value of Total=(86.96+88.21) / 2 = 87.585 V/m

PMF scaled E-field

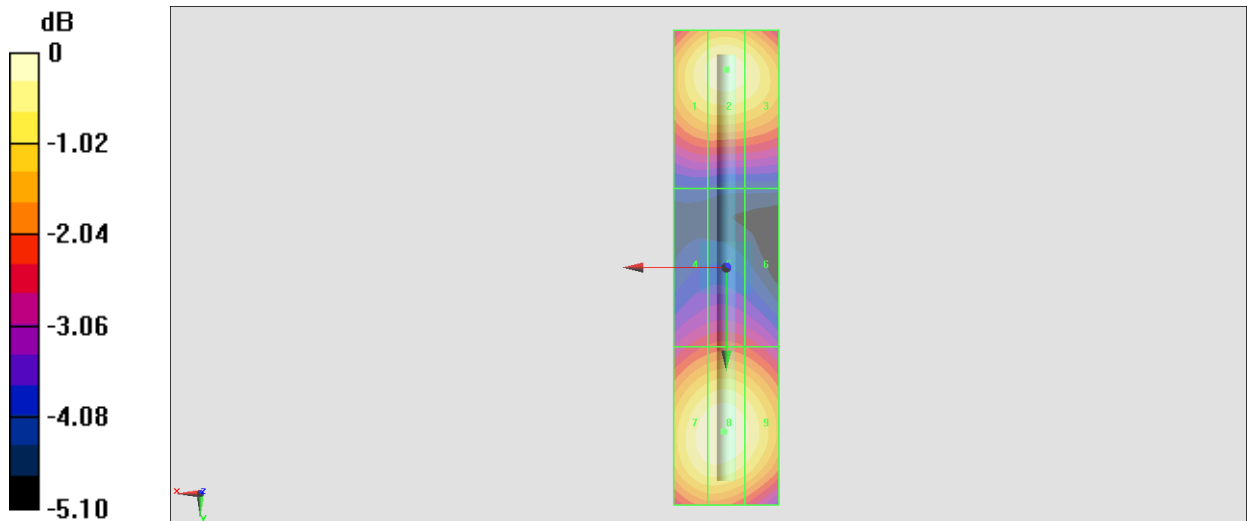
Grid 1 M3 85.52 V/m	Grid 2 M3 86.96 V/m	Grid 3 M3 85.30 V/m
Grid 4 M3 67.66 V/m	Grid 5 M3 68.73 V/m	Grid 6 M3 67.37 V/m
Grid 7 M3 87.35 V/m	Grid 8 M3 88.21 V/m	Grid 9 M3 85.68 V/m

Cursor:

Total = 88.21 V/m

E Category: M3

Location: 0.5, 31, 9.7 mm



0 dB = 88.21 V/m = 38.91 dBV/m

HAC_E_Dipole_1880

DUT: HAC Dipole 1880 MHz

Communication System: CW; Frequency: 1880 MHz; Duty Cycle: 1:1

Medium: Air Medium parameters used: $\sigma = 0$ S/m, $\epsilon_r = 1$; $\rho = 0$ kg/m³

Ambient Temperature : 23.5 °C

DASY5 Configuration

- Probe: EF3DV3 - SN4047; ConvF(1, 1, 1) @ 1880 MHz; Calibrated: 2022/1/24
- Sensor-Surface: (Fix Surface)
- Electronics: DAE4 Sn1512; Calibrated: 2022/3/29
- Phantom: HAC Test Arch with AMCC; Type: SD HAC P01 BA;
- Measurement SW: DASY52, Version 52.10 (4); SEMCAD X Version 14.6.14 (7483)

E Scan - measurement distance from the probe sensor center to CD1880 = 10mm & 15mm/Hearing Aid Compatibility Test at 15mm distance (41x181x1): Interpolated grid: dx=0.5000 mm, dy=0.5000 mm

Device Reference Point: 0, 0, -6.3 mm

Reference Value = 172.0 V/m; Power Drift = 0.03 dB

PMR not calibrated. PMF = 1.000 is applied.

E-field emissions = 92.68 V/m

Average value of Total=(89.63+92.68) / 2 = 91.155 V/m

PMF scaled E-field

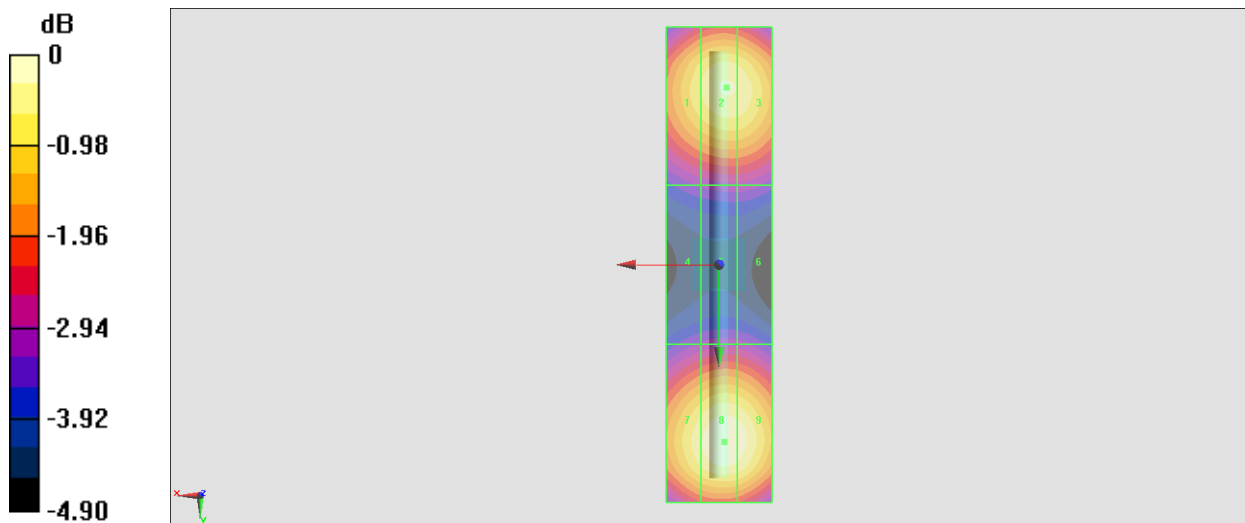
Grid 1 M3 86.05 V/m	Grid 2 M3 89.63 V/m	Grid 3 M3 89.13 V/m
Grid 4 M3 64.08 V/m	Grid 5 M3 65.47 V/m	Grid 6 M3 65.45 V/m
Grid 7 M3 88.95 V/m	Grid 8 M3 92.68 V/m	Grid 9 M3 91.68 V/m

Cursor:

Total = 92.68 V/m

E Category: M3

Location: -1, 33.5, 9.7 mm



0 dB = 92.68 V/m = 39.34 dBV/m

HAC_E_Dipole_2450

DUT: HAC Dipole 2450 MHz

Communication System: CW; Frequency: 2450 MHz; Duty Cycle: 1:1

Medium: Air Medium parameters used: $\sigma = 0$ S/m, $\epsilon_r = 1$; $\rho = 0$ kg/m³

Ambient Temperature : 23.5 °C

DASY5 Configuration

- Probe: ER3DV6 - SN2526; ConvF(1, 1, 1) @ 2450 MHz; Calibrated: 2022/3/28
- Sensor-Surface: (Fix Surface)
- Electronics: DAE4 Sn1512; Calibrated: 2022/3/29
- Phantom: HAC Test Arch with AMCC; Type: SD HAC P01 BA;
- Measurement SW: DASY52, Version 52.10 (4); SEMCAD X Version 14.6.14 (7483)

E Scan - measurement distance from the probe sensor center to CD2450 = 10mm & 15mm
2/Hearing Aid Compatibility Test at 15mm distance (41x181x1): Interpolated grid: dx=0.5000 mm, dy=0.5000 mm

Device Reference Point: 0, 0, -6.3 mm

Reference Value = 78.81 V/m; Power Drift = 0.00 dB

PMR not calibrated. PMF = 1.000 is applied.

E-field emissions = 86.74 V/m

Average value of Total=(82.28+86.74) / 2 = 84.51 V/m

PMF scaled E-field

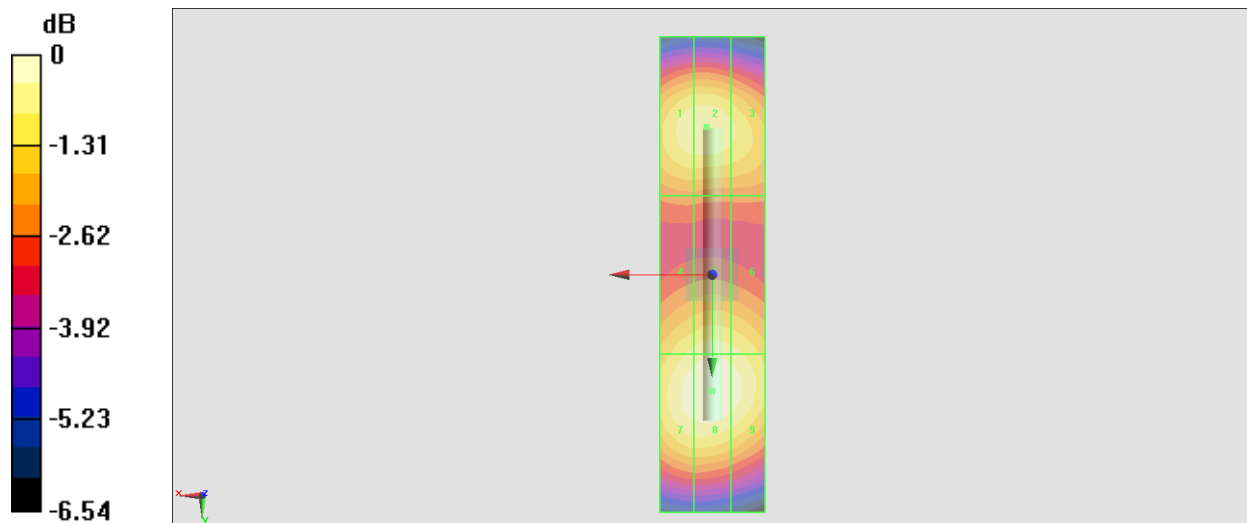
Grid 1 M3 81.74 V/m	Grid 2 M3 82.28 V/m	Grid 3 M3 79.38 V/m
Grid 4 M3 80.08 V/m	Grid 5 M3 81.99 V/m	Grid 6 M3 80.70 V/m
Grid 7 M3 85.34 V/m	Grid 8 M3 86.74 V/m	Grid 9 M3 84.88 V/m

Cursor:

Total = 86.74 V/m

E Category: M3

Location: 0, 22, 9.7 mm



0 dB = 86.74 V/m = 38.76 dBV/m

HAC_E_Dipole_2450

DUT: HAC Dipole 2450 MHz

Communication System: CW; Frequency: 2450 MHz; Duty Cycle: 1:1

Medium: Air Medium parameters used: $\sigma = 0$ S/m, $\epsilon_r = 1$; $\rho = 0$ kg/m³

Ambient Temperature : 23.5 °C

DASY5 Configuration

- Probe: EF3DV3 - SN4047; ConvF(1, 1, 1) @ 2450 MHz; Calibrated: 2022/1/24
- Sensor-Surface: (Fix Surface)
- Electronics: DAE4 Sn1512; Calibrated: 2022/3/29
- Phantom: HAC Test Arch with AMCC; Type: SD HAC P01 BA;
- Measurement SW: DASY52, Version 52.10 (4); SEMCAD X Version 14.6.14 (7483)

E Scan - measurement distance from the probe sensor center to CD2450 = 10mm & 15mm
2/Hearing Aid Compatibility Test at 15mm distance (41x181x1): Interpolated grid: dx=0.5000 mm, dy=0.5000 mm

Device Reference Point: 0, 0, -6.3 mm

Reference Value = 76.37 V/m; Power Drift = 0.02 dB

PMR not calibrated. PMF = 1.000 is applied.

E-field emissions = 81.57 V/m

Average value of Total=(80.07+81.57) / 2 = 80.82 V/m

PMF scaled E-field

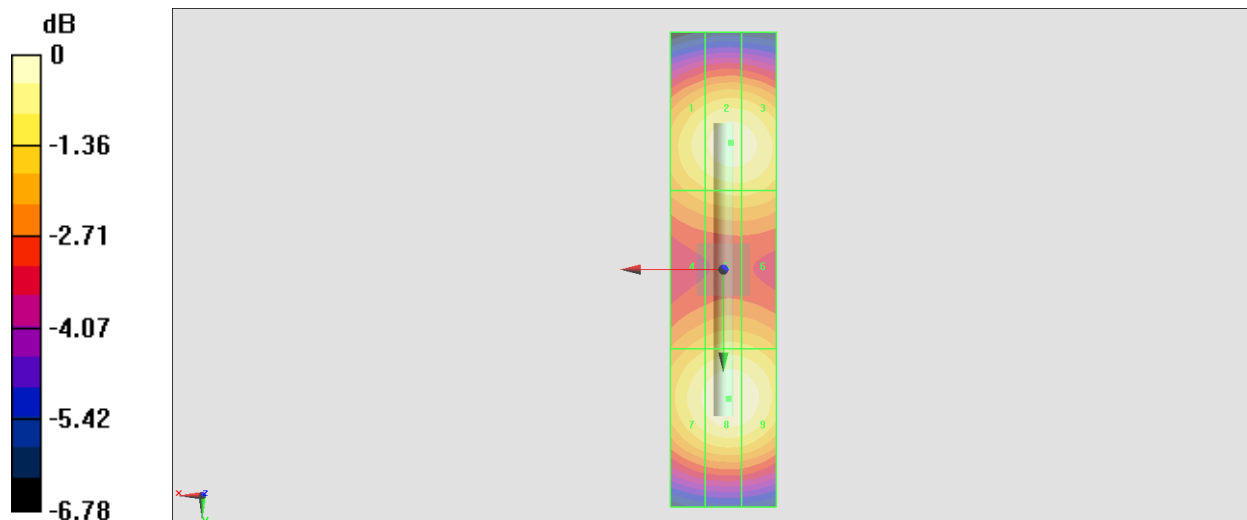
Grid 1 M3 76.75 V/m	Grid 2 M3 80.07 V/m	Grid 3 M3 79.61 V/m
Grid 4 M3 69.41 V/m	Grid 5 M3 71.78 V/m	Grid 6 M3 71.44 V/m
Grid 7 M3 78.27 V/m	Grid 8 M3 81.57 V/m	Grid 9 M3 80.88 V/m

Cursor:

Total = 81.57 V/m

E Category: M3

Location: -1, 24.5, 9.7 mm



0 dB = 81.57 V/m = 38.23 dBV/m

HAC_E_Dipole_2600

DUT: HAC Dipole 2600 MHz

Communication System: CW; Frequency: 2600 MHz; Duty Cycle: 1:1

Medium: Air Medium parameters used: $\sigma = 0$ S/m, $\epsilon_r = 1$; $\rho = 0$ kg/m³

Ambient Temperature : 23.5 °C

DASY5 Configuration

- Probe: ER3DV6 - SN2526; ConvF(1, 1, 1) @ 2600 MHz; Calibrated: 2022/3/28
- Sensor-Surface: (Fix Surface)
- Electronics: DAE4 Sn1512; Calibrated: 2022/3/29
- Phantom: HAC Test Arch with AMCC; Type: SD HAC P01 BA;
- Measurement SW: DASY52, Version 52.10 (4); SEMCAD X Version 14.6.14 (7483)

E Scan - measurement distance from the probe sensor center to CD2600 = 10mm & 15mm/Hearing Aid Compatibility Test at 15mm distance (41x181x1): Interpolated grid: dx=0.5000 mm, dy=0.5000 mm

Device Reference Point: 0, 0, -6.3 mm

Reference Value = 64.28 V/m; Power Drift = 0.07 dB

PMR not calibrated. PMF = 1.000 is applied.

E-field emissions = 86.81 V/m

Average value of Total=(83.81+86.81) / 2 = 85.31 V/m

PMF scaled E-field

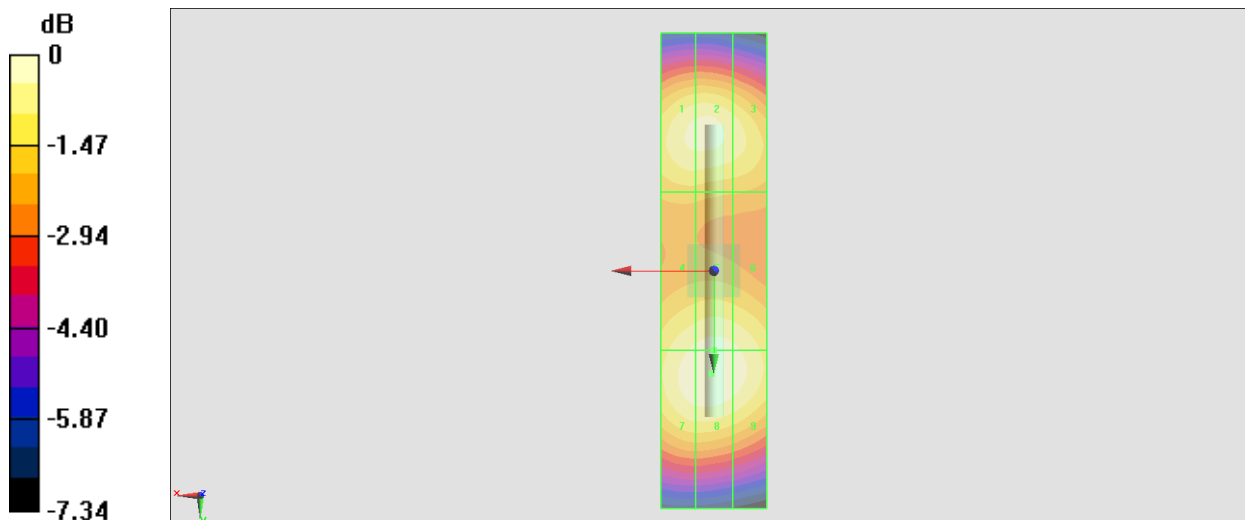
Grid 1 M3 83.47 V/m	Grid 2 M3 83.81 V/m	Grid 3 M3 80.67 V/m
Grid 4 M3 83.21 V/m	Grid 5 M3 84.77 V/m	Grid 6 M3 83.42 V/m
Grid 7 M3 85.55 V/m	Grid 8 M3 86.81 V/m	Grid 9 M3 85.08 V/m

Cursor:

Total = 86.81 V/m

E Category: M3

Location: 0.5, 19.5, 9.7 mm



0 dB = 86.81 V/m = 38.77 dBV/m

HAC_E_Dipole_2600

DUT: HAC Dipole 2600 MHz

Communication System: CW; Frequency: 2600 MHz; Duty Cycle: 1:1

Medium: Air Medium parameters used: $\sigma = 0$ S/m, $\epsilon_r = 1$; $\rho = 0$ kg/m³

Ambient Temperature : 23.5 °C

DASY5 Configuration

- Probe: EF3DV3 - SN4047; ConvF(1, 1, 1) @ 2600 MHz; Calibrated: 2022/1/24
- Sensor-Surface: (Fix Surface)
- Electronics: DAE4 Sn1512; Calibrated: 2022/3/29
- Phantom: HAC Test Arch with AMCC; Type: SD HAC P01 BA;
- Measurement SW: DASY52, Version 52.10 (4); SEMCAD X Version 14.6.14 (7483)

E Scan - measurement distance from the probe sensor center to CD2600 = 10mm & 15mm/Hearing Aid Compatibility Test at 15mm distance (41x181x1): Interpolated grid: dx=0.5000 mm, dy=0.5000 mm

Device Reference Point: 0, 0, -6.3 mm

Reference Value = 69.98 V/m; Power Drift = -0.02 dB

PMR not calibrated. PMF = 1.000 is applied.

E-field emissions = 87.35 V/m

Average value of Total=(86.16+87.35) / 2 = 86.755 V/m

PMF scaled E-field

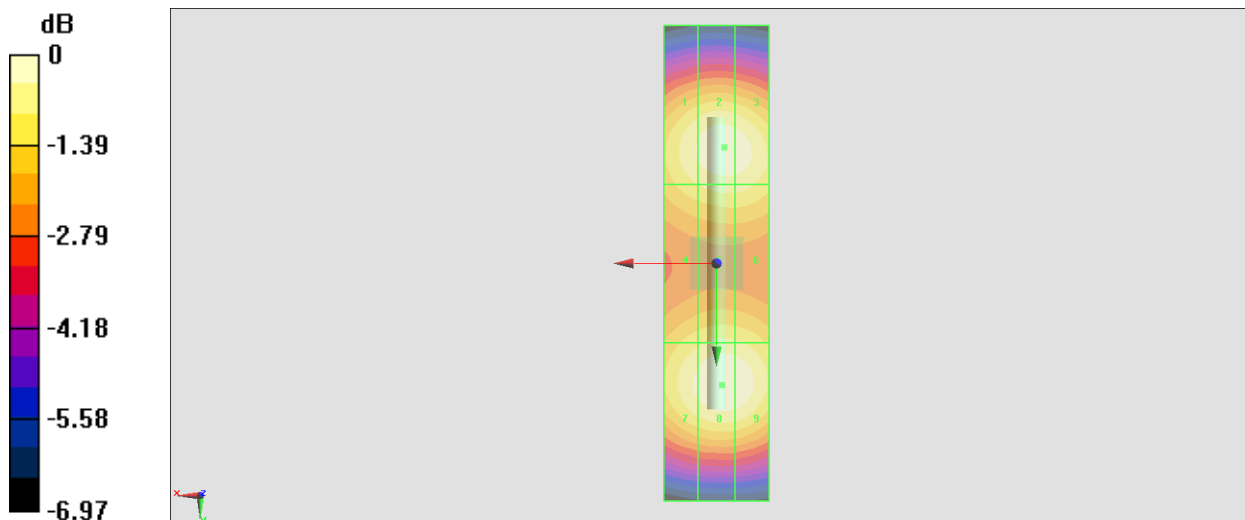
Grid 1 M3 83.31 V/m	Grid 2 M3 86.16 V/m	Grid 3 M3 85.60 V/m
Grid 4 M3 78.66 V/m	Grid 5 M3 80.87 V/m	Grid 6 M3 80.76 V/m
Grid 7 M3 84.15 V/m	Grid 8 M3 87.35 V/m	Grid 9 M3 86.71 V/m

Cursor:

Total = 87.35 V/m

E Category: M3

Location: -1, 23, 9.7 mm



0 dB = 87.35 V/m = 38.83 dBV/m

HAC_E_Dipole_3500

DUT: HAC-Dipole 3500 MHz

Communication System: CW ; Frequency: 3500 MHz;Duty Cycle: 1:1

Medium: Air Medium parameters used: $\sigma = 0$ S/m, $\epsilon_r = 1$; $\rho = 0$ kg/m³

Ambient Temperature : 23.5 °C

DASY5 Configuration

- Probe: EF3DV3 - SN4047; ConvF(1, 1, 1) @ 3500 MHz; Calibrated: 2022/1/24
- Sensor-Surface: (Fix Surface)
- Electronics: DAE4 Sn1512; Calibrated: 2022/3/29
- Phantom: HAC Test Arch with AMCC; Type: SD HAC P01 BA;
- Measurement SW: DASY52, Version 52.10 (4); SEMCAD X Version 14.6.14 (7483)

E Scan - measurement distance from the probe sensor center to CD3500 = 10mm & 15mm/Hearing Aid Compatibility Test at 15mm distance (41x121x1): Interpolated grid: dx=0.5000 mm, dy=0.5000 mm

Device Reference Point: 0, 0, -6.3 mm

Reference Value = 36.44 V/m; Power Drift = 0.04 dB

PMR not calibrated. PMF = 1.000 is applied.

E-field emissions = 88.17 V/m

Average value of Total=(88.17+86.95) / 2 = 87.56 V/m

PMF scaled E-field

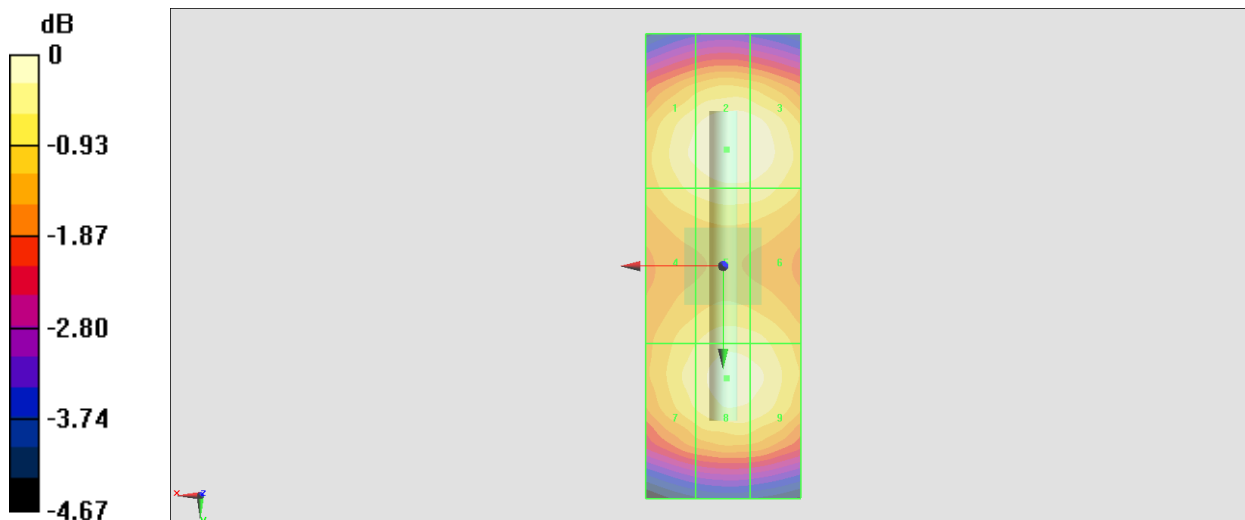
Grid 1 M3 85.89 V/m	Grid 2 M3 88.17 V/m	Grid 3 M3 87.72 V/m
Grid 4 M3 82.98 V/m	Grid 5 M3 84.45 V/m	Grid 6 M3 84.24 V/m
Grid 7 M3 83.92 V/m	Grid 8 M3 86.95 V/m	Grid 9 M3 86.18 V/m

Cursor:

Total = 88.17 V/m

E Category: M3

Location: -0.5, -15, 9.7 mm



0 dB = 88.17 V/m = 38.91 dBV/m