

System Check_Head_5600MHz

DUT: D5GHzV2-1006

Communication System: CW ; Frequency: 5600 MHz;Duty Cycle: 1:1

Medium: HSL_5G_220501 Medium parameters used: $f = 5600$ MHz; $\sigma = 5.082$ S/m; $\epsilon_r = 36.365$; $\rho = 1000$ kg/m³

Ambient Temperature : 23.7 °C ; Liquid Temperature : 22.7 °C

DASY5 Configuration:

- Probe: EX3DV4 - SN3976; ConvF(4.95, 4.95, 4.95) @ 5600 MHz; Calibrated: 2022/1/27
- Sensor-Surface: 1.4mm (Mechanical Surface Detection)
- Electronics: DAE4 Sn316; Calibrated: 2022/1/26
- Phantom: SAM_Left; Type: SAM; Serial: 1796
- Measurement SW: DASY52, Version 52.10 (4);SEMCAD X Version 14.6.14 (7501)

Pin=100mW/Area Scan (71x71x1): Interpolated grid: dx=1.000 mm, dy=1.000 mm

Maximum value of SAR (interpolated) = 22.4 W/kg

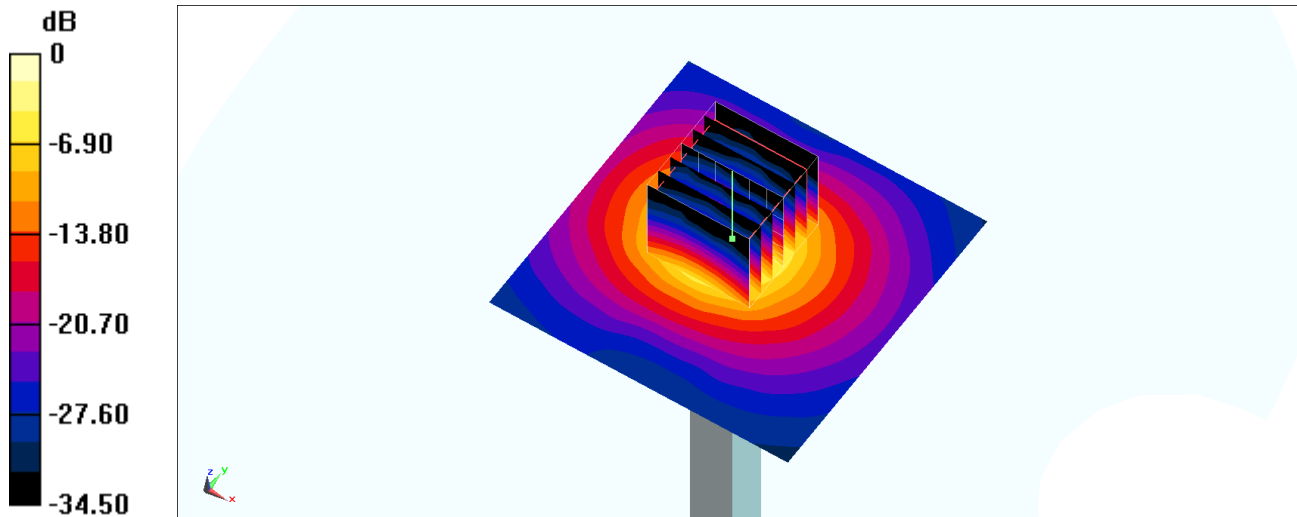
Pin=100mW/Zoom Scan (7x7x7)/Cube 0: Measurement grid: dx=4mm, dy=4mm, dz=1.4mm

Reference Value = 61.54 V/m; Power Drift = -0.12 dB

Peak SAR (extrapolated) = 35.1 W/kg

SAR(1 g) = 7.9 W/kg; SAR(10 g) = 2.22 W/kg

Maximum value of SAR (measured) = 20.6 W/kg



0 dB = 22.4 W/kg = 13.50 dBW/kg

System Check_Head_5750MHz

DUT: D5GHzV2-1006

Communication System: CW ; Frequency: 5750 MHz;Duty Cycle: 1:1

Medium: HSL_5G_220501 Medium parameters used: $f = 5750$ MHz; $\sigma = 5.233$ S/m; $\epsilon_r = 36.171$; $\rho = 1000$ kg/m³

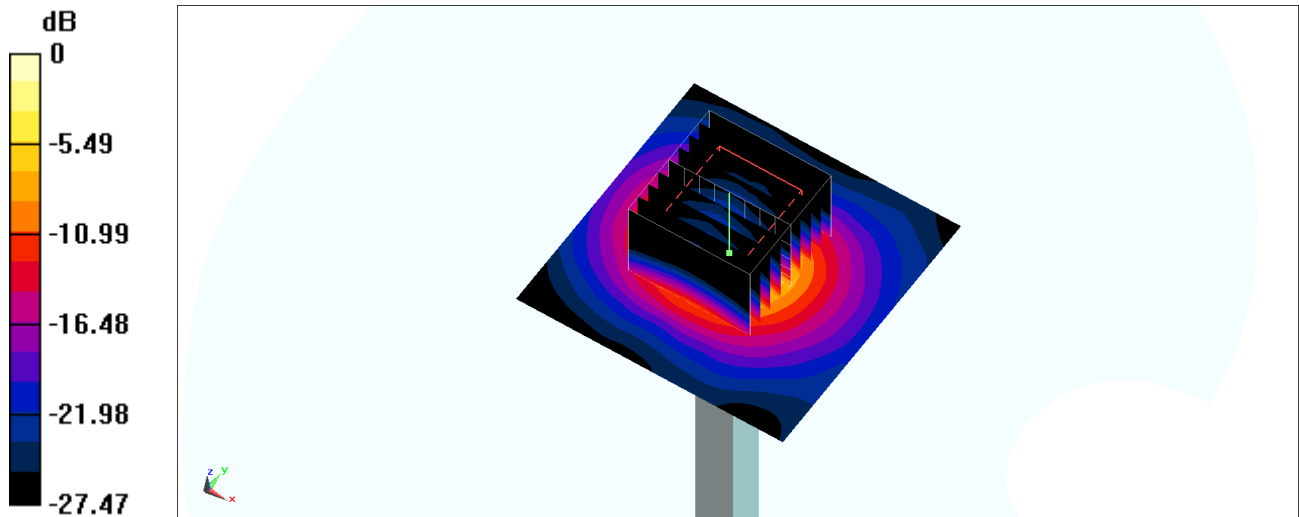
Ambient Temperature : 23.7 °C ; Liquid Temperature : 22.7 °C

DASY5 Configuration:

- Probe: EX3DV4 - SN3976; ConvF(4.87, 4.87, 4.87) @ 5750 MHz; Calibrated: 2022/1/27
- Sensor-Surface: 1.4mm (Mechanical Surface Detection)
- Electronics: DAE4 Sn316; Calibrated: 2022/1/26
- Phantom: SAM_Left; Type: SAM; Serial: 1796
- Measurement SW: DASY52, Version 52.10 (4);SEMCAD X Version 14.6.14 (7501)

Pin=100mW/Area Scan (71x71x1): Interpolated grid: dx=1.000 mm, dy=1.000 mm
Maximum value of SAR (interpolated) = 19.3 W/kg

Pin=100mW/Zoom Scan (9x9x7)/Cube 0: Measurement grid: dx=4mm, dy=4mm, dz=1.4mm
Reference Value = 66.58 V/m; Power Drift = 0.15 dB
Peak SAR (extrapolated) = 37.6 W/kg
SAR(1 g) = 7.67 W/kg; SAR(10 g) = 2.18 W/kg
Maximum value of SAR (measured) = 20.5 W/kg



0 dB = 19.3 W/kg = 12.86 dBW/kg

System Check_Head_6500MHz

Communication System: ; Frequency: 6500.0

Medium: HSL_6G_220506. Medium parameters used: $f= 6500.0$ MHz; $\sigma= 6.11$ S/m; $\epsilon_r = 34.55$

Ambient Temperature: 23.4°C; Liquid Temperature: 22.4°C

DASY6 Configuration:

- Probe: EX3DV4 - SN3728; ConvF(5.0, 5.0, 5.0); Calibrated: 2022-03-02
- Sensor-Surface: 1.4 mm
- Electronics: DAE4 Sn699; Calibrated: 2022-02-24
- Phantom: Twin-SAM V4.0 (30deg probe tilt); Serial: 1488; Section: Flat
- Measurement Software: cDASY6 V6.6.0.13926
- UID: CW
- MAIA: Area Scan: N/A; Zoom Scan: N/A

Area Scan (51.0 mm x 85.0 mm): Measurement Grid: 8.5 mm x 8.5 mm

SAR (1g) = 24.4 W/kg; SAR (10g) = 5.34 W/kg;

Zoom Scan (23.8 mm x 23.8 mm x 22.0 mm): Measurement Grid: 3.4 mm x 3.4 mm x 1.4 mm

Power Drift = 0.02 dB

SAR (1g) = 31.8 W/kg; SAR (8g) = 7.18 W/kg; SAR (10g) = 5.91 W/kg;

psAPD (1.0cm², sq) = 318 [W/m²]; psAPD (4.0cm², sq) = 144 [W/m²]

