

TC57

Touch Computer

DRAFT



ZEBRA

Quick Start Guide

No part of this publication may be reproduced or used in any form, or by any electrical or mechanical means, without permission in writing. This includes electronic or mechanical means, such as photocopying, recording, or information storage and retrieval systems. The material in this manual is subject to change without notice.

The software is provided strictly on an “as is” basis. All software, including firmware, furnished to the user is on a licensed basis. We grant to the user a non-transferable and non-exclusive license to use each software or firmware program delivered hereunder (licensed program). Except as noted below, such license may not be assigned, sublicensed, or otherwise transferred by the user without prior written consent. No right to copy a licensed program in whole or in part is granted, except as permitted under copyright law. The user shall not modify, merge, or incorporate any form or portion of a licensed program with other program material, create a derivative work from a licensed program, or use a licensed program in a network without written permission. The user agrees to maintain copyright notice on the licensed programs delivered hereunder, and to include the same on any authorized copies it makes, in whole or in part. The user agrees not to decompile, disassemble, decode, or reverse engineer any licensed program delivered to the user or any portion thereof.

We reserve the right to make changes to any software or product to improve reliability, function, or design.

We do not assume any product liability arising out of, or in connection with, the application or use of any product, circuit, or application described herein.

No license is granted, either expressly or by implication, estoppel, or otherwise under any of our intellectual property rights. An implied license only exists for equipment, circuits, and subsystems contained in our products.

Warranty

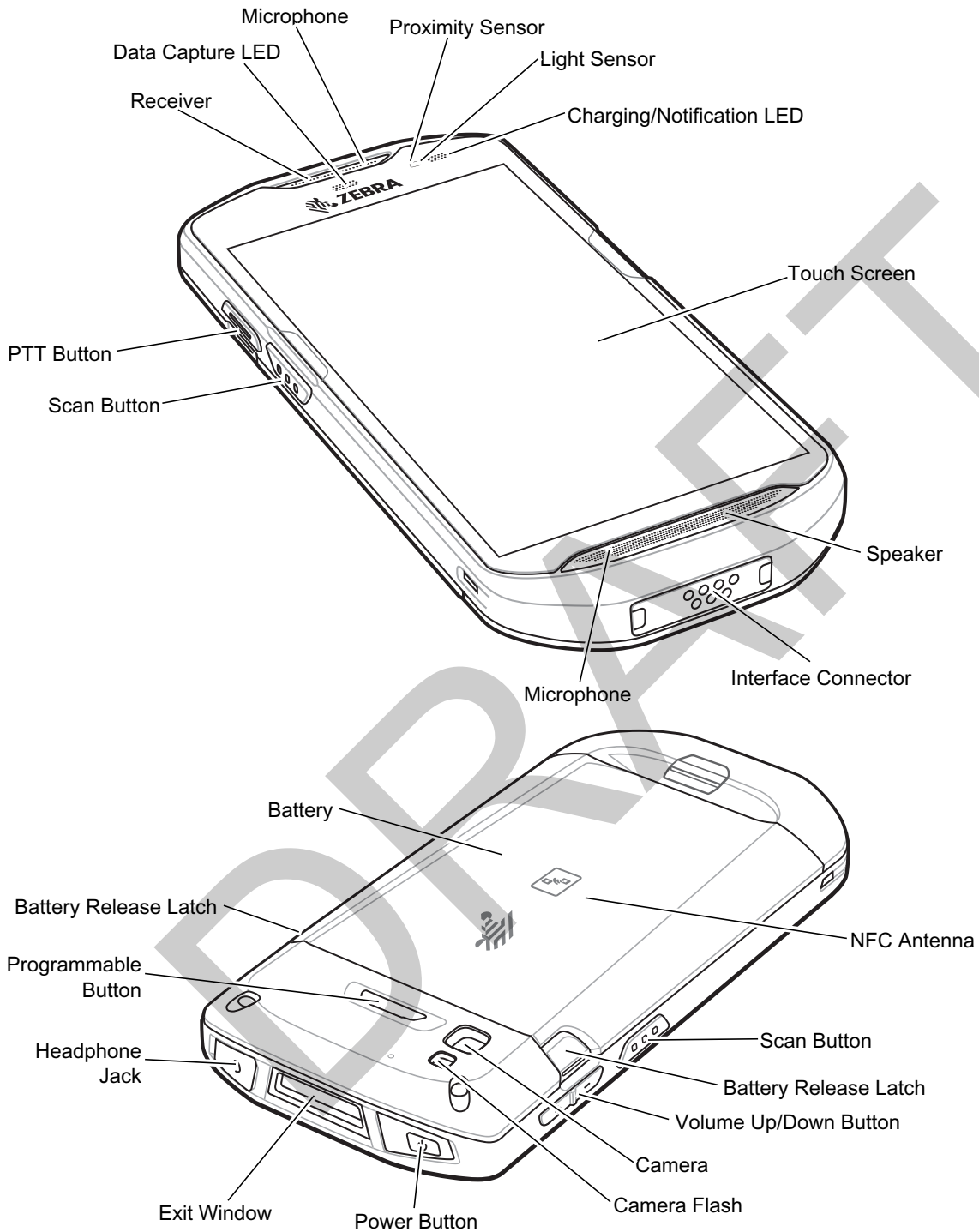
For the complete Zebra hardware product warranty statement, go to: zebra.com/warranty.

Service Information

If you have a problem using the equipment, contact your facility’s Technical or Systems Support. If there is a problem with the equipment, they will contact the Zebra Support at: zebra.com/support.

For the latest version of this guide go to: zebra.com/support.

Features



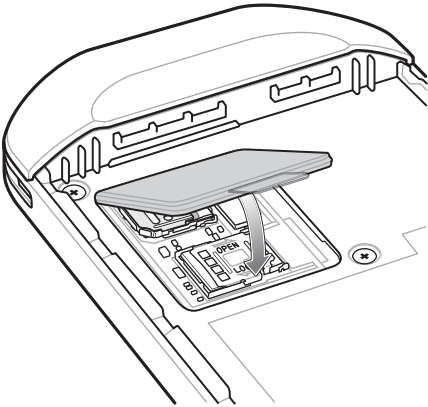
Installing a microSD Card

The microSD card slot provides secondary non-volatile storage. The slot is located under the battery pack. Refer to the documentation provided with the card for more information, and follow the manufacturer's recommendations for use.

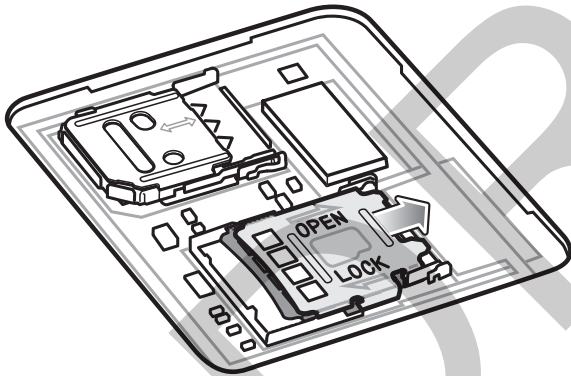


CAUTION Follow proper electrostatic discharge (ESD) precautions to avoid damaging the microSD card. Proper ESD precautions include, but are not limited to, working on an ESD mat and ensuring that the operator is properly grounded.

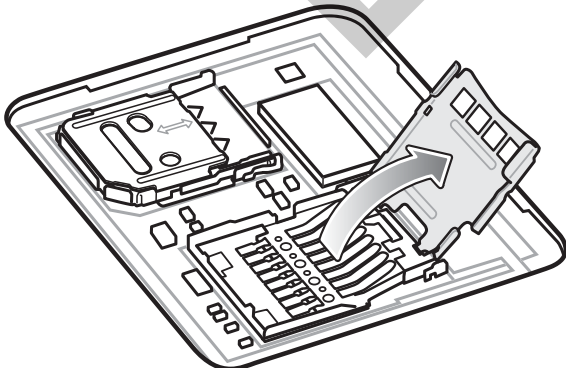
1. Lift the access door.



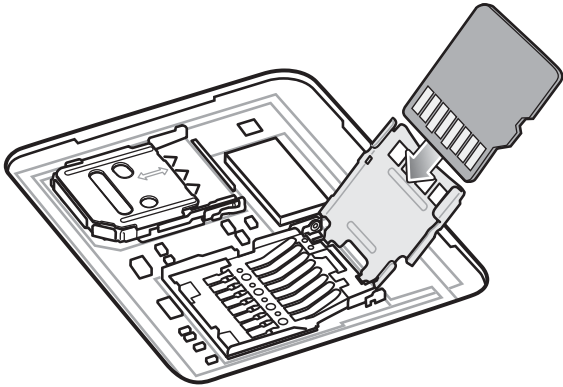
2. Slide the microSD card holder door to the Open position.



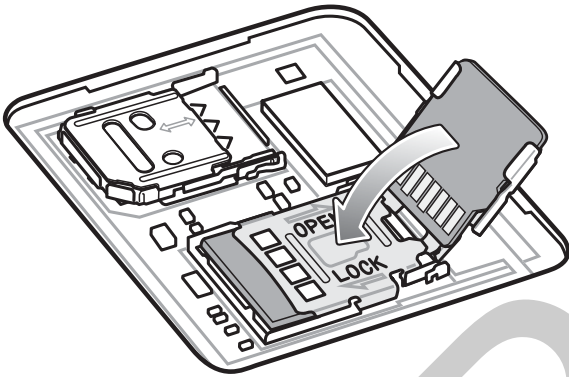
3. Lift the microSD card holder door.



4. Insert the microSD card into the card holder door ensuring that the card slides into the holding tabs on each side of the door.



5. Close the microSD card holder door.

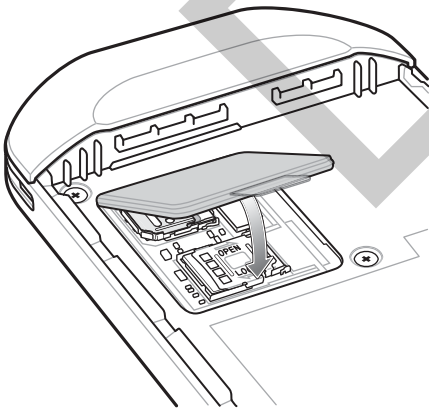


6. Slide the microSD card holder door to the Lock position.



CAUTION Access door must be replaced and securely seated to ensure proper device sealing.

7. Re-install the access door.



Installing the SIM Card

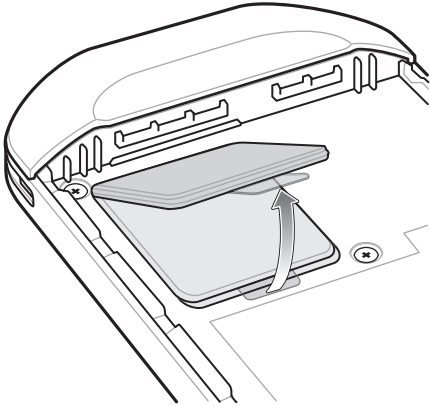


NOTE Only use nano SIM cards.

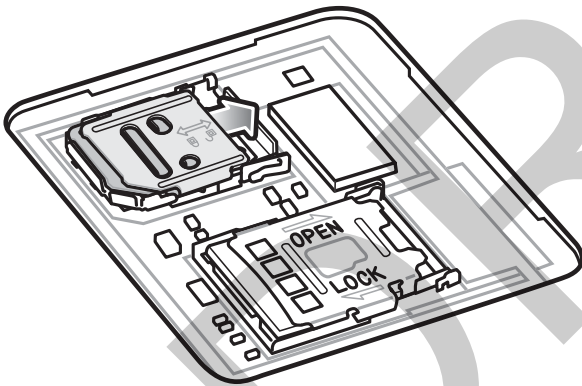


CAUTION For proper electrostatic discharge (ESD) precautions to avoid damaging the SIM card. Proper ESD precautions include, but not limited to, working on an ESD mat and ensuring that the user is properly grounded.

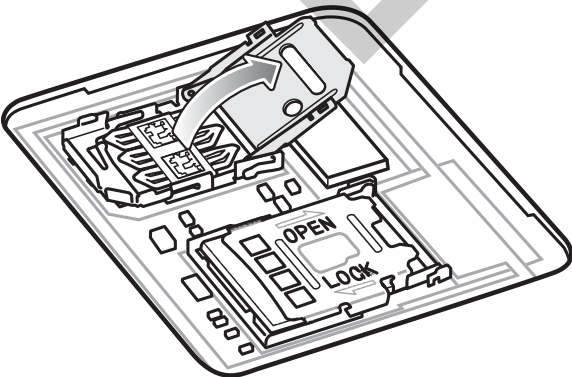
1. Remove access cover.



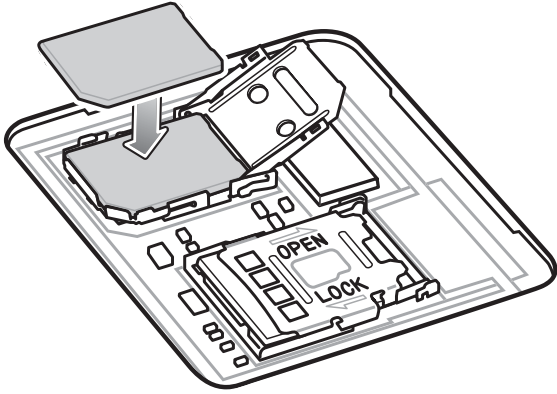
2. Slide the SIM card holder door to the unlock position.



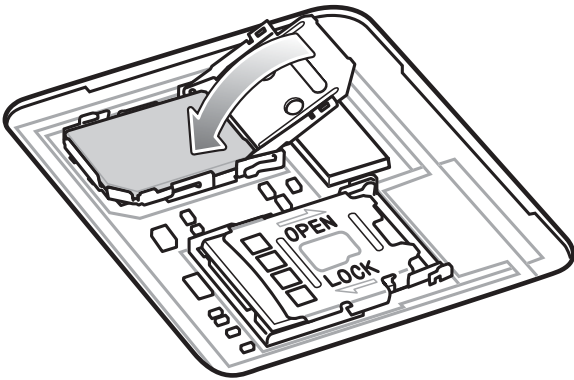
3. Lift the SIM card holder door.



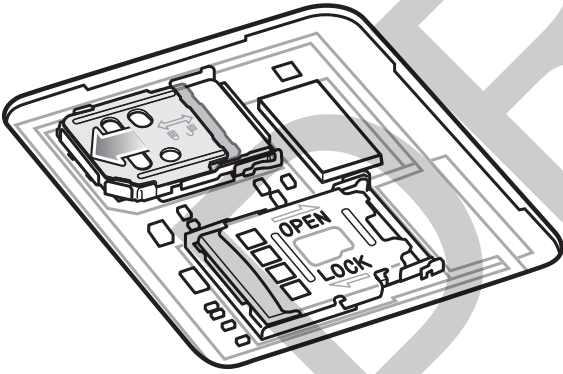
4. Place the nano SIM card into the card holder with contacts facing down.



5. Close the SIM card holder door.

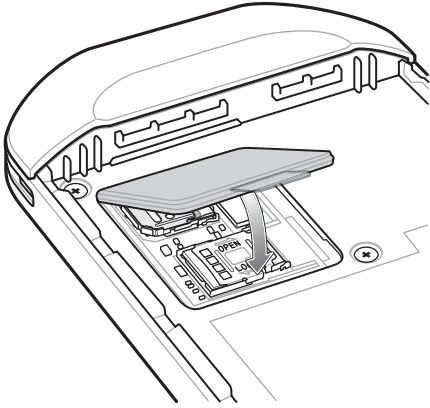


6. Slide to SIM card holder door to the lock position.



CAUTION Access door must be replaced and securely seated to ensure proper device sealing.

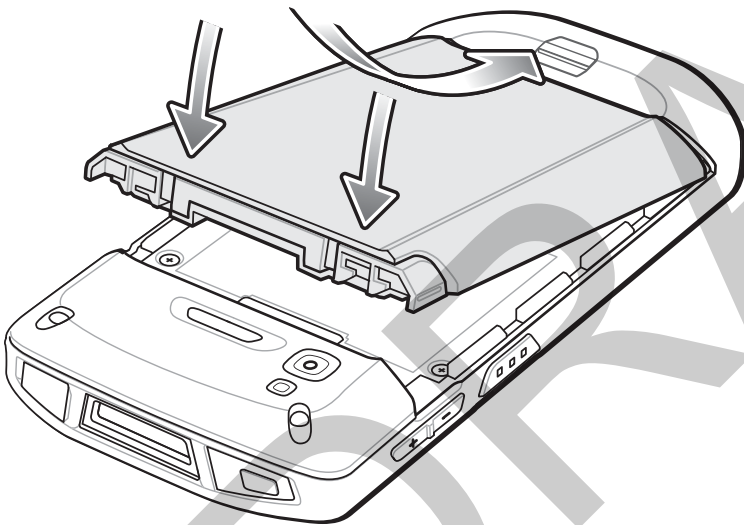
7. Re-install the access door.



Installing the Battery

To install the battery:

1. Insert the silver end of the battery into the battery well.
2. Press the battery down until it snaps into place.



Charging the TC57

Use one of the following accessories to charge the TC57 and/or spare battery.

Table 1 Charging and Communication

Description	Part Number	Charging		Communication	
		Battery (In Device)	Spare Battery	USB	Ethernet
1-Slot USB/Charge Only Cradle Kit	CRD-TC51-1SCU-01	Yes	No	Yes	With Optional Module
5-Slot Charge Only Cradle Kit	CRD-TC51-5SCHG-01	Yes	No	No	No
4-Slot Charge Only Cradle with Battery Charger Kit	CRD-TC51-5SC4B-01	Yes	Yes	No	No
5-Slot Ethernet Cradle Kit	CRD-TC51-5SETH-01	Yes	Yes	No	Yes
4-Slot Battery Charger Kit	SAC-TC51-4SCHG-01	No	Yes	No	No
Rugged Charge/USB Cable	CBL-TC51-USB1-01	Yes	No	Yes	No

Charging the TC57



NOTE Ensure that you follow the guidelines for battery safety described in the TC57 User Guide.

1. To charge the main battery, connect the charging accessory to the appropriate power source.
2. Insert the TC57 into a cradle or attach to a cable. The TC57 turns on and begins charging. The Charging/Notification LED blinks amber while charging, then turns solid green when fully charged.

The 4,300 mAh battery charges to 90% in less than 2.5 hours at room temperature.

Charging the Spare Battery

1. Insert a spare battery into the spare battery slot.
2. Ensure the battery is seated properly.

The Spare Battery Charging LED blinks indicating charging. See [Table 2](#) for charging indicators.







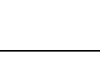
The 4,300 mAh battery charges from fully depleted to 90% in approximately 2.5 hours and from fully depleted to 100% in approximately three hours.



NOTE In many cases the 90% charge provides plenty of charge for daily use. A full 100% charge lasts for approximately 14 hours of use.

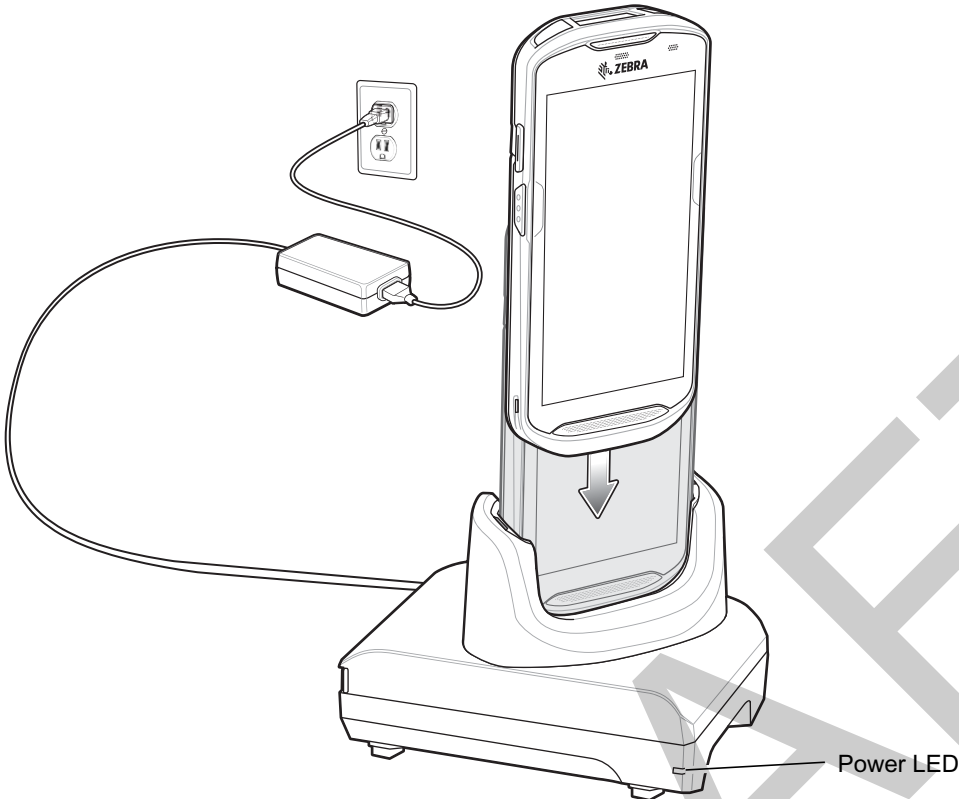
To achieve the best fast charging results use only Zebra charging accessories and batteries. Charge batteries at room temperature with the TC57 in sleep mode.

Table 2 Charging/Notification LED Charging Indicators

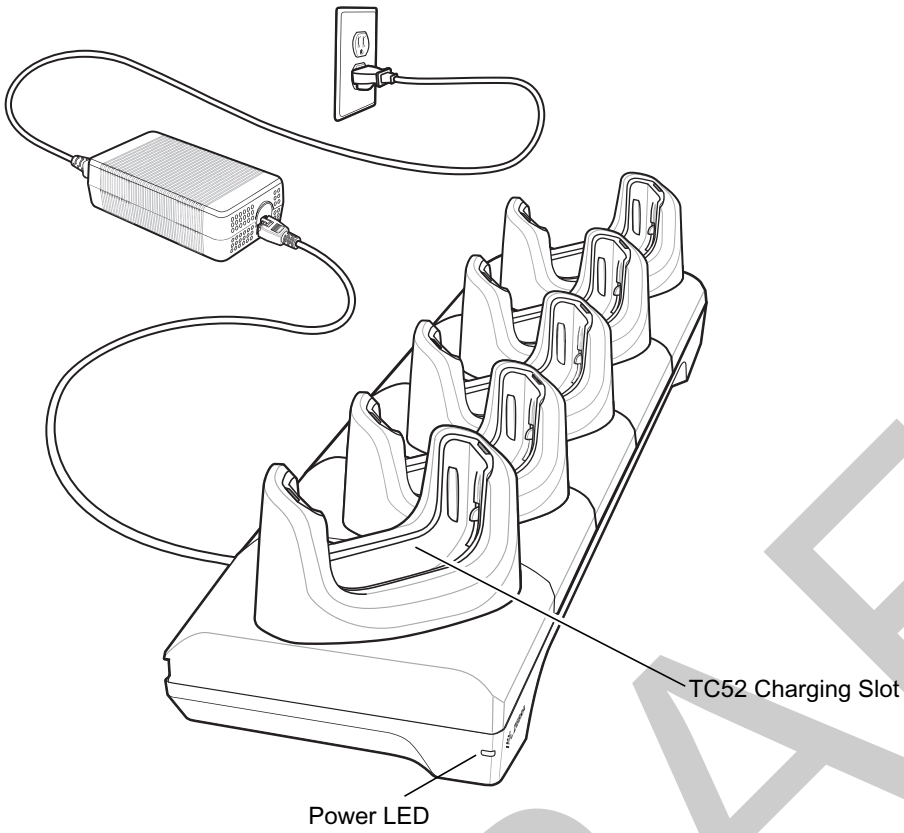
State	LED	Indication
Off		TC57 is not charging. TC57 is not inserted correctly in the cradle or connected to a power source. Charger/cradle is not powered.
Slow Blinking Amber (1 blink every 4 seconds)		TC57 is charging.
Slow Blinking Red (1 blink every 4 seconds)		TC57 is charging but the battery is at end of useful life.
Solid Green		Charging complete.
Solid Red		Charging complete but the battery is at end of useful life.
Fast Blinking Amber (2 blinks/second)		Charging error, e.g.: <ul style="list-style-type: none"> • Temperature is too low or too high. • Charging has gone on too long without completion (typically eight hours).
Fast Blinking Red (2 blinks/second)		Charging error but the battery is at end of useful life., e.g.: <ul style="list-style-type: none"> • Temperature is too low or too high. • Charging has gone on too long without completion (typically eight hours).

Charge batteries in temperatures from 0°C to 40°C (32°F to 104°F). The device or cradle always performs battery charging in a safe and intelligent manner. At higher temperatures (e.g. approximately +37°C (+98°F)) the device or cradle may for small periods of time alternately enable and disable battery charging to keep the battery at acceptable temperatures. The device and cradle indicates when charging is disabled due to abnormal temperatures via its LED.

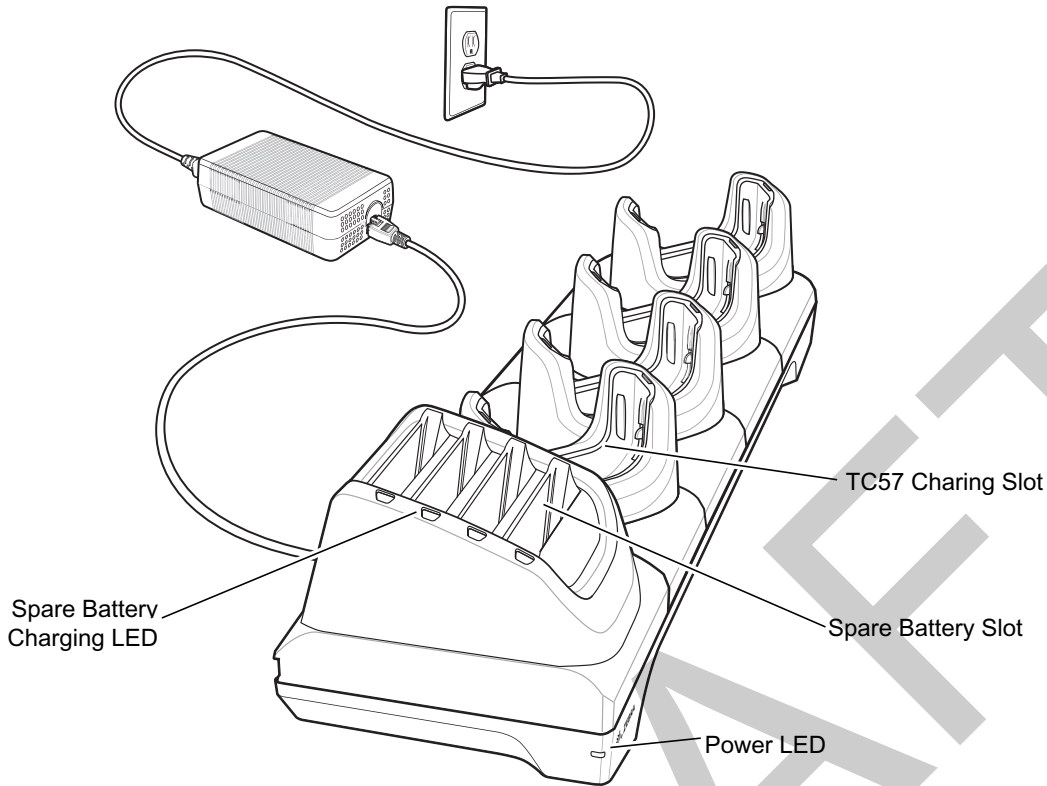
1-Slot USB Charging Cradle



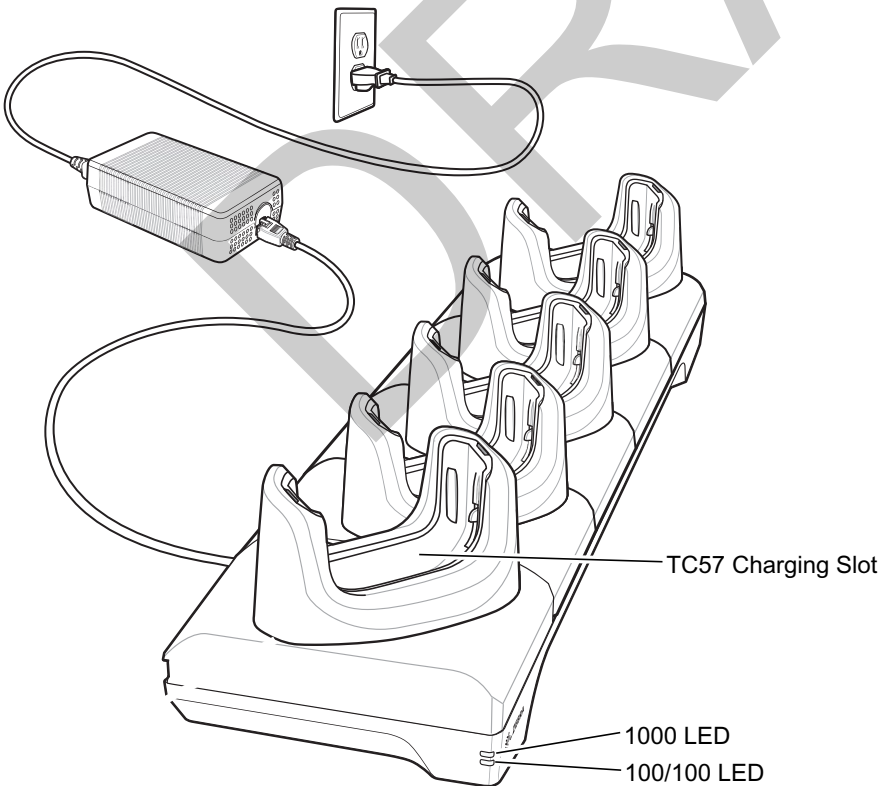
5-Slot Charge Only Cradle



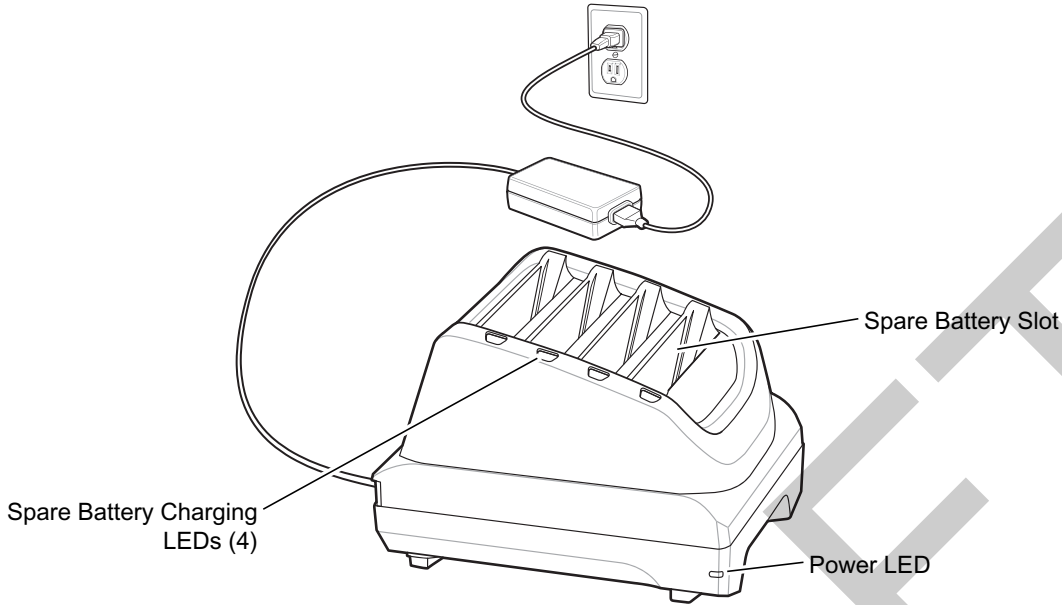
4-Slot Charge Only Cradle with Battery Charger



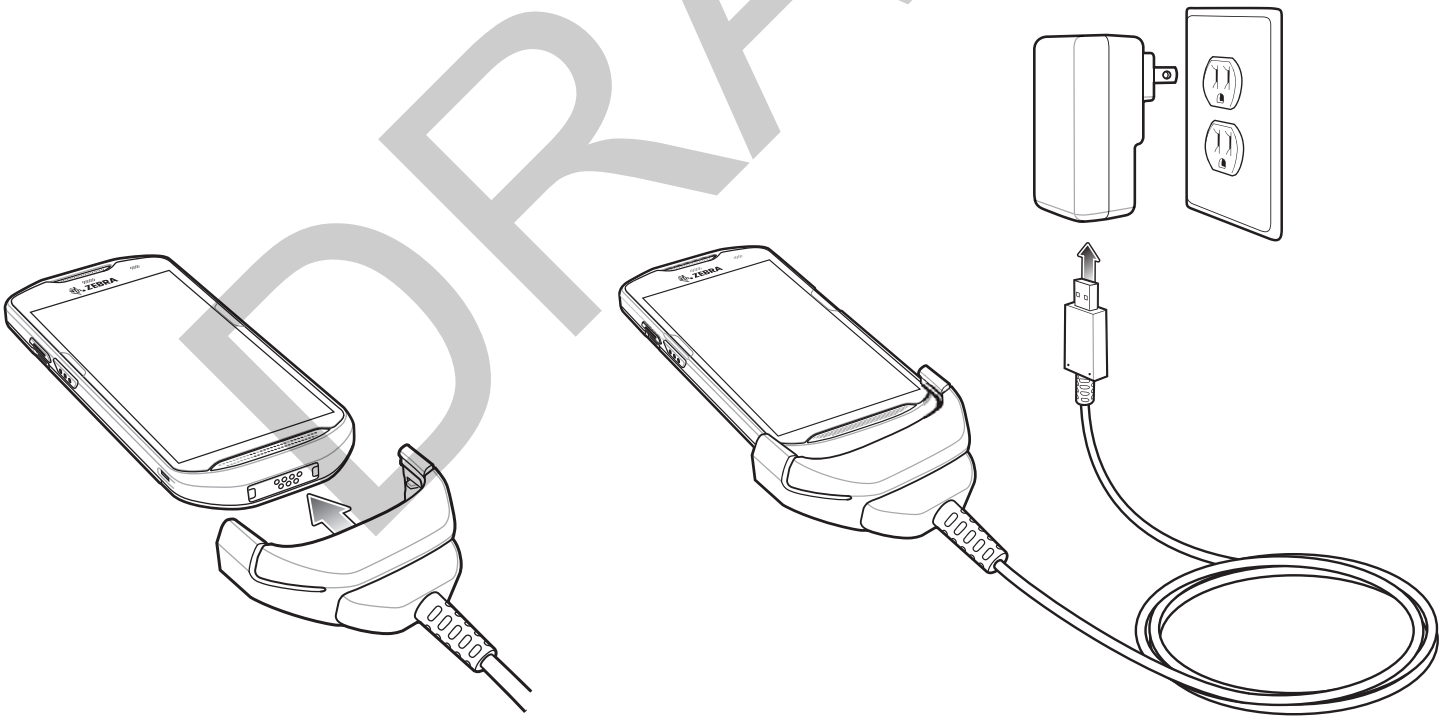
5-Slot Ethernet Cradle



4-Slot Battery Charger



Rugged Charge/USB Cable



Scanning

To read a bar code, a scan-enabled application is required. The TC57 contains the DataWedge application that allows the user to enable the imager, decode the bar code data and display the bar code content.

1. Ensure that an application is open on the TC57 and a text field is in focus (text cursor in text field).
2. Point the exit window on the top of the TC57 at a bar code.

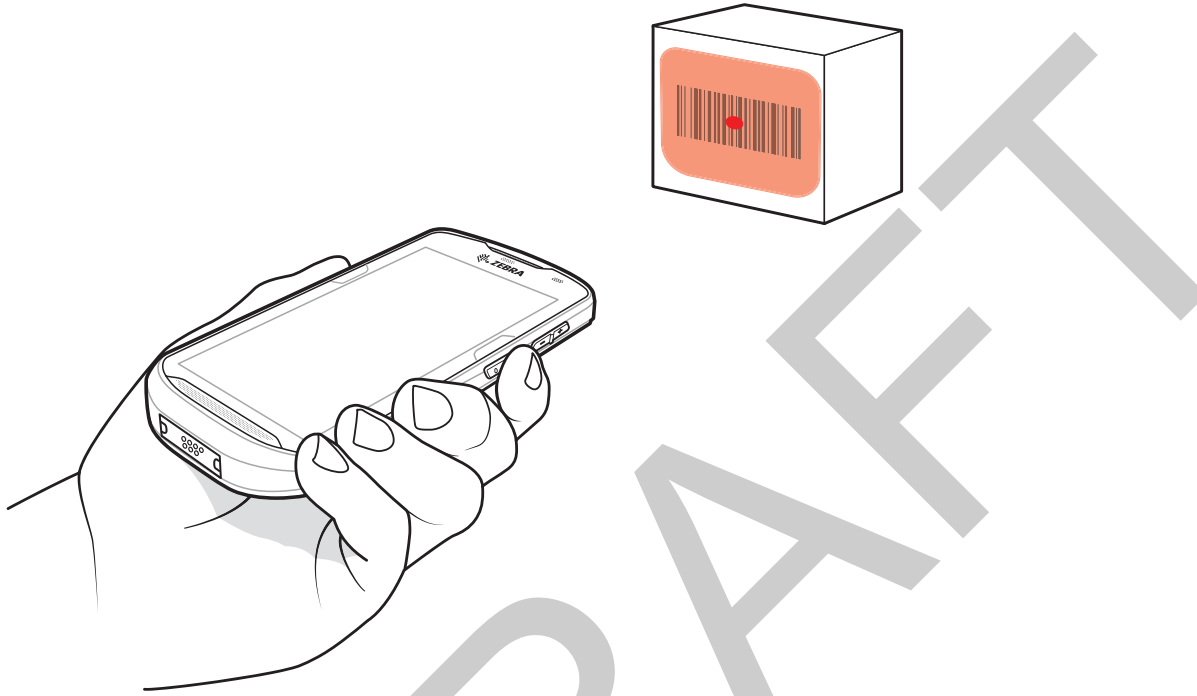


Figure 1 Imager Scanning

3. Press and hold the scan button.
The red laser aiming pattern turns on to assist in aiming.



NOTE When the TC57 is in Picklist mode, the imager does not decode the bar code until the crosshair or aiming dot touches the bar code.

4. Ensure the bar code is within the area formed by the crosshairs in the aiming pattern. The aiming dot is used for increased visibility in bright lighting conditions.

Figure 2 Aiming Pattern

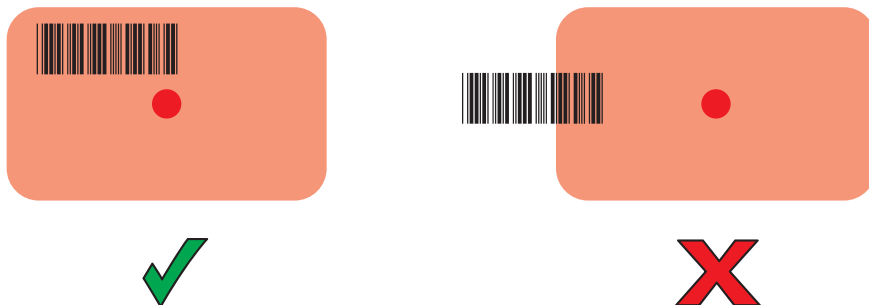
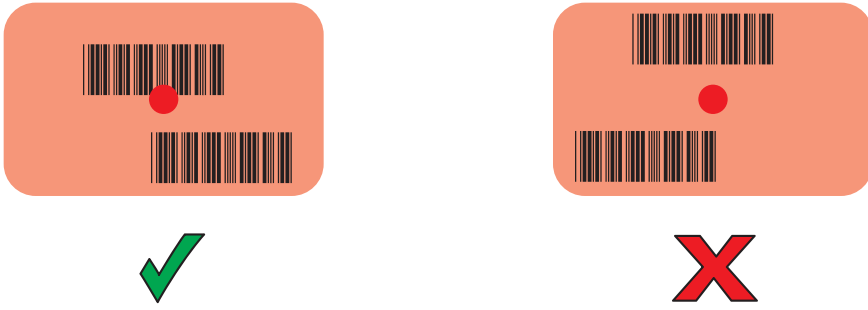


Figure 3 Pick List Mode with Multiple Bar Codes in Aiming Pattern



5. The Data Capture LED lights green and a beep sounds, by default, to indicate the bar code was decoded successfully.
6. Release the scan button.



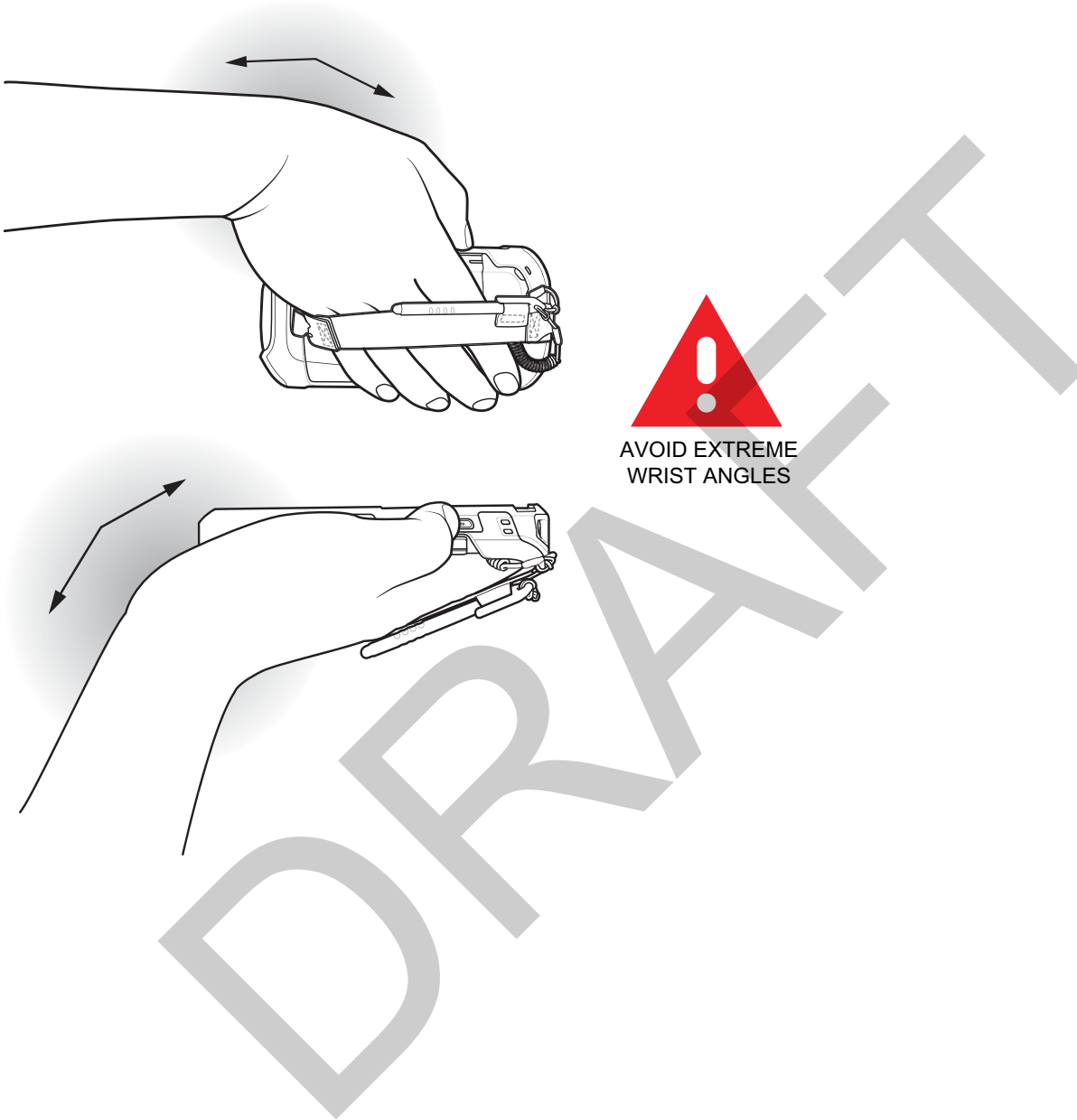
NOTE Imager decoding usually occurs instantaneously. The TC57 repeats the steps required to take a digital picture (image) of a poor or difficult bar code as long as the scan button remains pressed.

7. The bar code content data displays in the text field.

DRAFT

Ergonomic Considerations

Figure 4 Ergonomic Considerations



DRAFT