

TC53 Touch Computer



ZEBRA

Quick Start Guide

ZEBRA and the stylized Zebra head are trademarks of Zebra Technologies Corporation, registered in many jurisdictions worldwide. All other trademarks are the property of their respective owners. ©2022 Zebra Technologies Corporation and/or its affiliates. All rights reserved.

Information in this document is subject to change without notice. The software described in this document is furnished under a license agreement or nondisclosure agreement. The software may be used or copied only in accordance with the terms of those agreements.

For further information regarding legal and proprietary statements, please go to:

SOFTWARE: zebra.com/linkoslegal.

COPYRIGHTS: zebra.com/copyright.

WARRANTY: zebra.com/warranty.

END USER LICENSE AGREEMENT: zebra.com/eula.

Terms of Use

Proprietary Statement

This manual contains proprietary information of Zebra Technologies Corporation and its subsidiaries ("Zebra Technologies"). It is intended solely for the information and use of parties operating and maintaining the equipment described herein. Such proprietary information may not be used, reproduced, or disclosed to any other parties for any other purpose without the express, written permission of Zebra Technologies.

Product Improvements

Continuous improvement of products is a policy of Zebra Technologies. All specifications and designs are subject to change without notice.

Liability Disclaimer

Zebra Technologies takes steps to ensure that its published Engineering specifications and manuals are correct; however, errors do occur. Zebra Technologies reserves the right to correct any such errors and disclaims liability resulting therefrom.

Limitation of Liability

In no event shall Zebra Technologies or anyone else involved in the creation, production, or delivery of the accompanying product (including hardware and software) be liable for any damages whatsoever (including, without limitation, consequential damages including loss of business profits, business interruption, or loss of business information) arising out of the use of, the results of use of, or inability to use such product, even if Zebra Technologies has been advised of the possibility of such damages. Some jurisdictions do not allow the exclusion or limitation of incidental or consequential damages, so the above limitation or exclusion may not apply to you.

Features

This section lists the features of the TC53 touch computer.

Figure 1 Front and Side Views

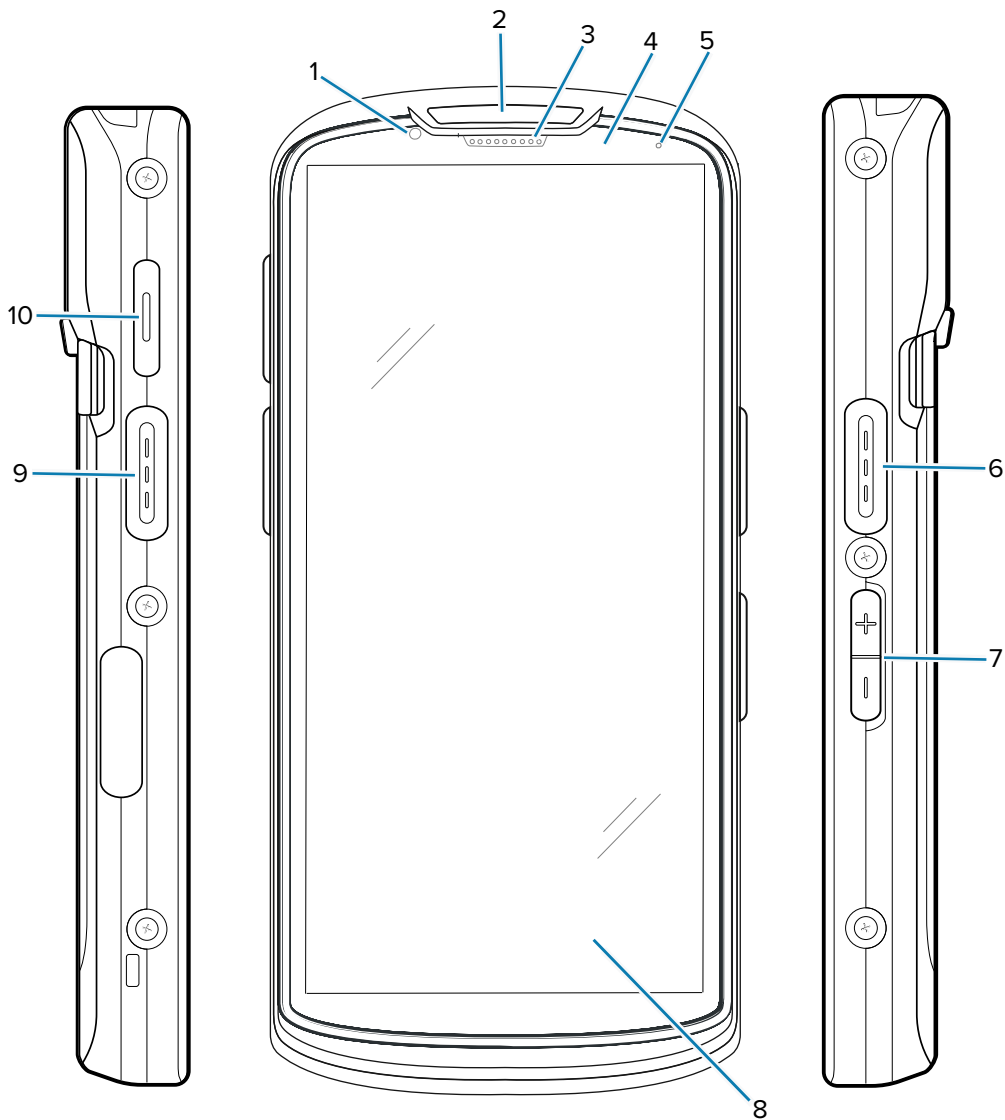


Table 1 TC53 Front View

| Number | Item | Description |
|-------------------------|------------------------|---|
| 1 | Front camera 8MP | Takes photos and videos. |
| 2 | Scan LED | Indicates data capture status. |
| 3 | Receiver Port | Use for audio playback in Handset mode. |
| 4 | Proximity/light sensor | Determines proximity and ambient light for controlling display backlight intensity. |
| 5 | Status LED | Indicates battery charging status while charging and application generated notifications. |
| 6, 9 | Scan button | Initiates data capture (programmable). |
| 7 | Volume up/down button | Increase and decrease audio volume (programmable). |
| 8 | 6 in. LCD touch screen | Displays all information needed to operate the device. |
| 10 | PTT button | Typically used for PTT communications. Where regulatory restrictions exist ¹ , button is configurable for use with other applications. |
| Note 1: Pakistan, Qatar | | |

Figure 2 Back, Top, and Bottom View

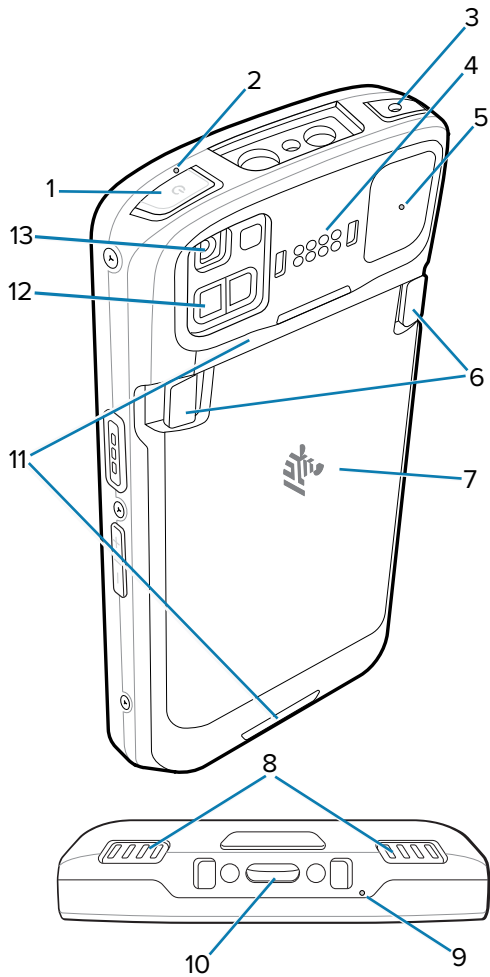


Table 2 TC53 Rear View

| Number | Item | Description |
|---------|-------------------------|--|
| 1 | Power button | Turns the display on and off. Press and hold to reset the device, power off or swap battery. |
| 2, 5, 9 | Microphone | Use for noise cancellation. |
| 3 | Headset jack | For audio output to headset (TC53 only). |
| 4 | Back common 8 pins | Provides host communications, audio and device charging via cables and accessories. |
| 6 | Battery release latches | Press to remove the battery. |
| 7 | Battery | Provides power to the device. |
| 8 | Speaker ports | Provides audio output for video and music playback. Provides audio in speakerphone mode. |

Table 2 TC53 Rear View (Continued)

| Number | Item | Description |
|--------|--|---|
| 10 | Common IO USB Type C and 2 charge pins | Provides power to the device using IO USB-C interface with 2 charge pins. |
| 11 | Hand strap attachment points | Attachment points for the hand strap. |
| 12 | ToF module | Employs time of flight techniques to resolve distance between the camera and subject. |
| 13 | 16 MP rear camera with flash | Takes photos and videos with flash to provide illumination for the camera. |

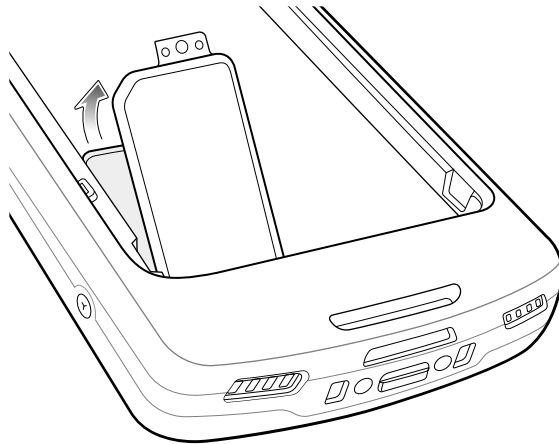
Installing a microSD Card

The microSD card slot provides secondary non-volatile storage. The slot is located under the battery pack. Refer to the documentation provided with the card for more information, and follow the manufacturer's recommendations for use.

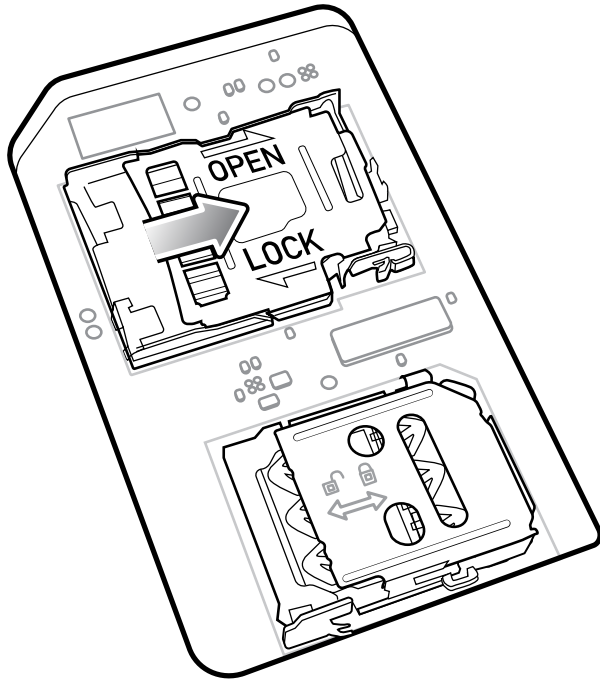


CAUTION—ESD: Follow proper electrostatic discharge (ESD) precautions to avoid damaging the microSD card. Proper ESD precautions include, but are not limited to, working on an ESD mat and ensuring the operator is properly grounded.

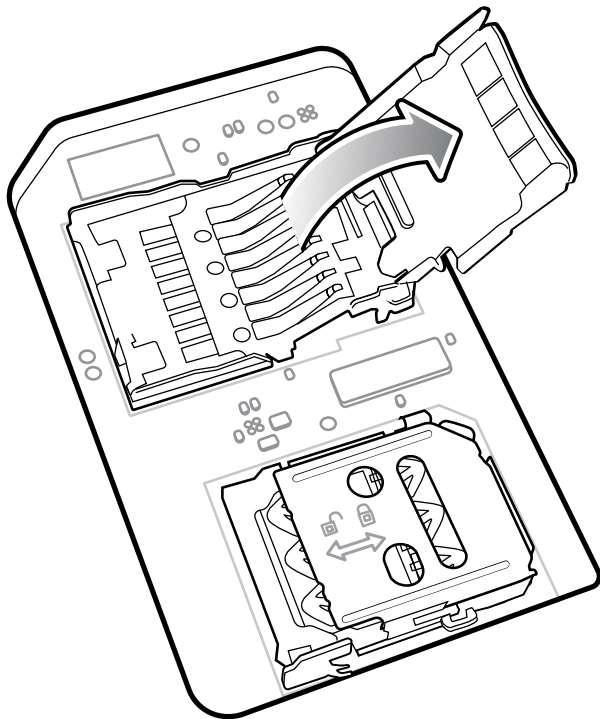
1. Lift the access door.



2. Slide the microSD card holder to the Open position.

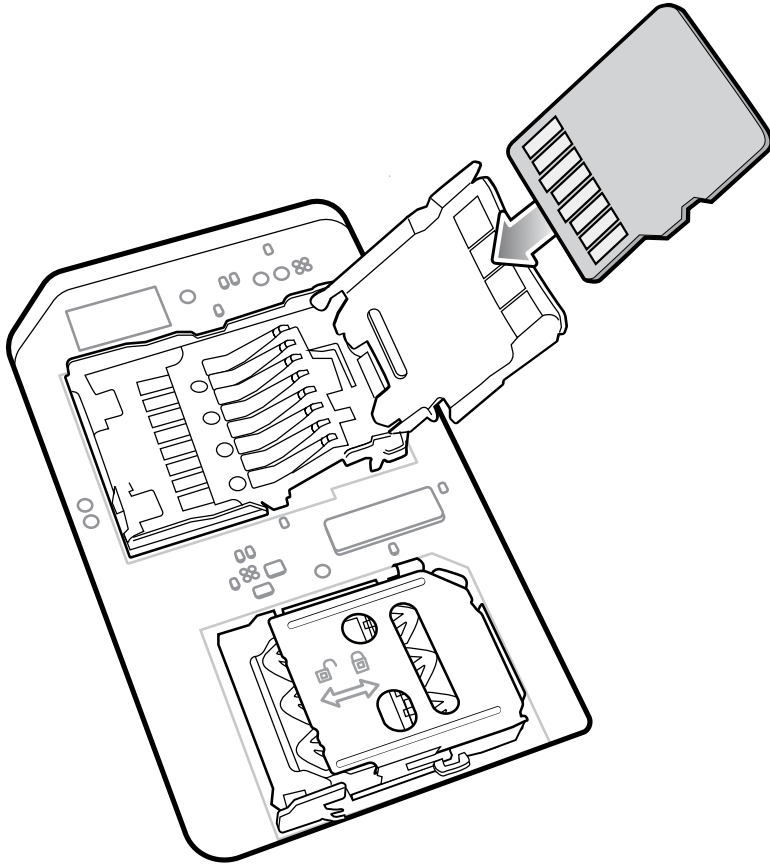


3. Lift the microSD card holder door.

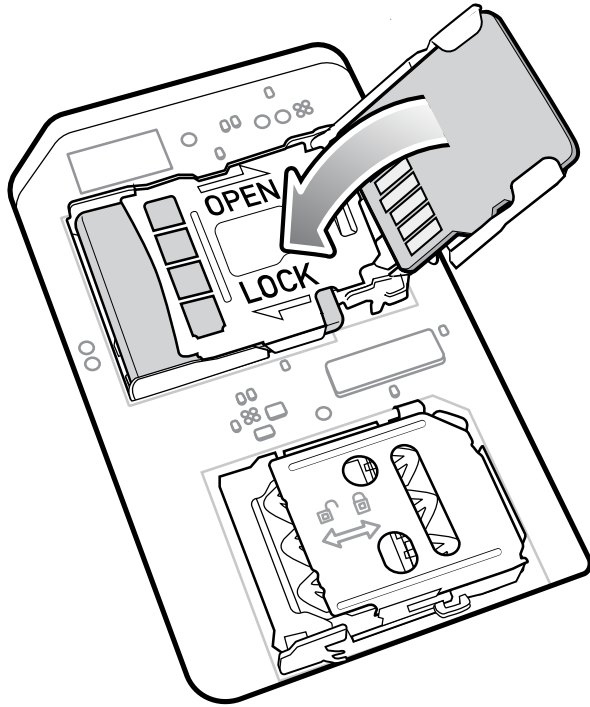


Installing a microSD Card

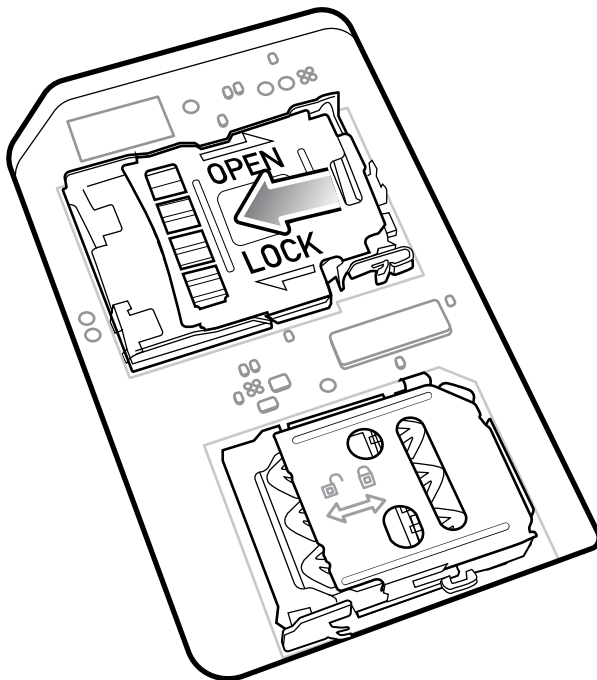
4. Insert the microSD card into the card holder ensuring that the card slides into the holding tabs on each side of the door.



5. Close the microSD card holder door.

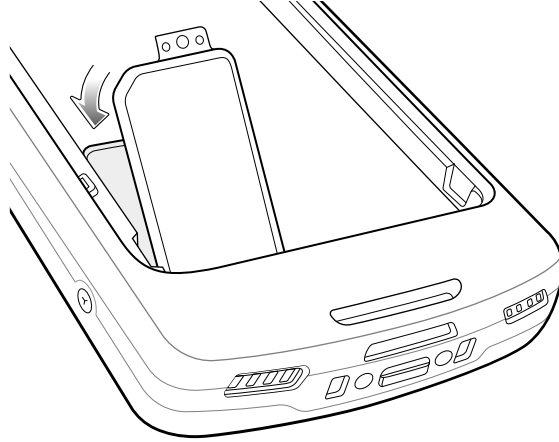


6. Slide the microSD card holder door to the Lock position.



NOTE: Access door must be replaced and securely seated to ensure proper device sealing.

7. Re-install the access door.



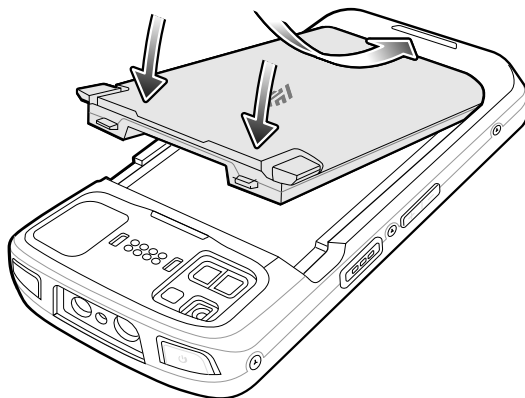
Installing the Battery

This section describes how to install the battery into the device.



NOTE: User modification of the device, particularly in the battery well, such as labels, asset tags, engravings, stickers, etc., may compromise the intended performance of the device or accessories. Performance levels such as sealing (Ingress Protection (IP)), impact performance (drop and tumble), functionality, temperature resistance, etc. could be effected. DO NOT put any labels, asset tags, engravings, stickers, etc. in the battery well.

1. Insert the battery, bottom first, into the battery compartment in the back of the device.
2. Press the battery down until it snaps into place.



Charging

Use one of the following accessories to charge the device and/or spare battery.

Charging and Communication

| Description | Part Number | Charging | | Communication | |
|-----------------------------------|-----------------|---------------------|---------------|---------------|----------|
| | | Battery (In device) | Spare Battery | USB | Ethernet |
| 1-Slot USB/Charge Only Cradle Kit | CRD-NGTC5-2SC1B | Yes | No | Yes | No |
| 1-Slot USB/Ethernet Cradle Kit | CRD-NGTC5-2SE1B | Yes | No | Yes | Yes |

| Description | Part Number | Charging | | Communication | |
|--|--------------------|---------------------|---------------|---------------|----------|
| | | Battery (In device) | Spare Battery | USB | Ethernet |
| 5-Slot Charge Only Cradle with Battery Kit | CRD-NGTC5-5SC4B | Yes | Yes | No | No |
| 5-Slot Charge Only Cradle Kit | CRD-NGTC5-5SC5D | Yes | No | No | No |
| 5-Slot Ethernet Cradle Kit | CRD-NGTC5-5SE5D | Yes | No | No | Yes |
| Charge/USB Cable | CBL-TC5X-USBC2A-01 | Yes | No | Yes | No |

Charging the Device

This section provides information for charging the device.



NOTE: Ensure that you follow the guidelines for battery safety described in the TC53 Product Reference Guide.

1. To charge the main battery, connect the charging accessory to the appropriate power source.
2. Insert the device into a cradle or attach to a cable. The device turns on and begins charging. The Charging/Notification LED blinks amber while charging, then turns solid green when fully charged.

The battery charges from fully depleted to 90% in approximately 2.5 hours and from fully depleted to 100% in approximately three hours. In many cases the 90% charge provides plenty of charge for daily use. A full 100% charge lasts for approximately 14 hours of use. To achieve the best charging results use only Zebra charging accessories and batteries. Charge batteries at room temperature with the device in sleep mode.

Charging the Spare Battery

This section provides information on charging a spare battery.

1. Insert a spare battery into the spare battery slot.
2. Ensure the battery is seated properly. The Spare Battery Charging LED blinks indicating charging. See [Charging Indications](#) for charging indicators.

The battery charges from fully depleted to 90% in approximately 2.3 hours and from fully depleted to 100% in approximately three hours. In many cases the 90% charge provides plenty of charge for daily use. A full 100% charge lasts for approximately 14 hours of use. To achieve the best charging results use only Zebra charging accessories and batteries.







Charging Indications

The charging/notification LED indicates charging status.

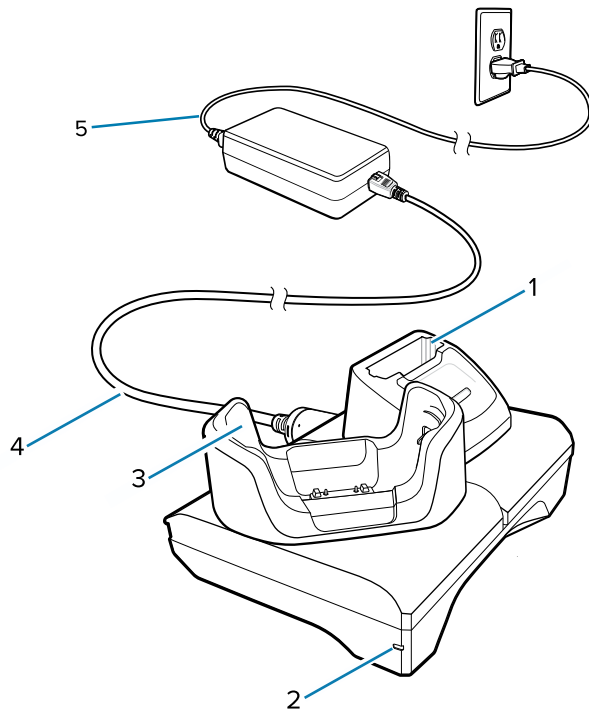
Table 3 Charging/Notification LED Charging Indicators

| State | LED | Indications |
|-------|-----|---|
| Off | ○ | Device is not charging. Device is not inserted correctly in the cradle or connected to a power source. Charger/cradle is not powered. |

Table 3 Charging/Notification LED Charging Indicators (Continued)

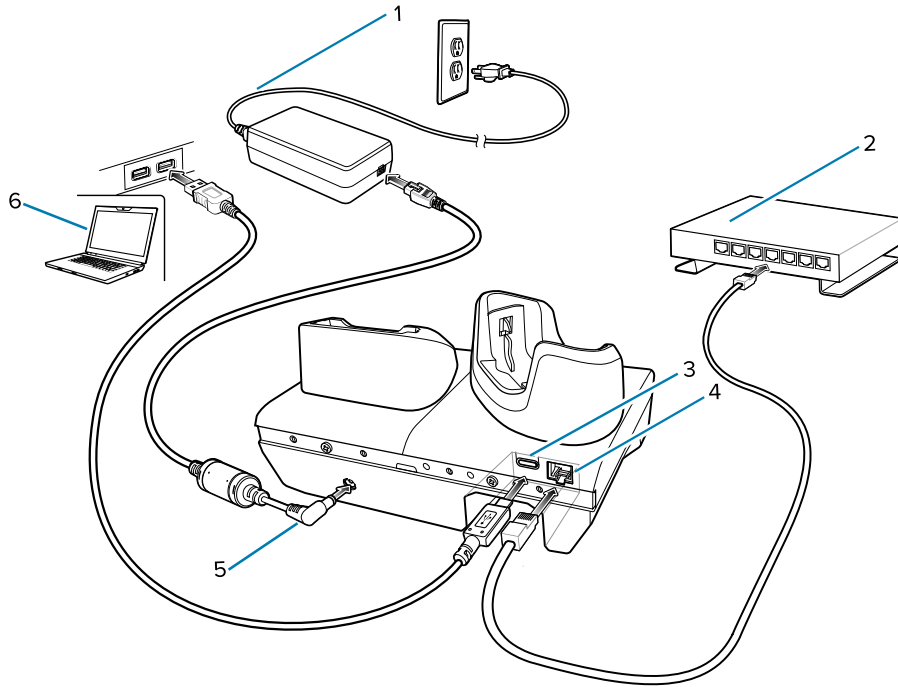
| State | LED | Indications |
|--|---|--|
| Slow Blinking Amber (1 blink every 4 seconds) |  | Device is charging. |
| Slow Blinking Red (1 blink every 4 seconds) |  | Device is charging but the battery is at end of useful life. |
| Solid Green |  | Charging complete. |
| Solid Red |  | Charging complete but the battery is at end of useful life. |
| Fast Blinking Amber (2 blinks/second) |  | Charging error, e.g.: <ul style="list-style-type: none"> • Temperature is too low or too high. • Charging has gone on too long without completion (typically eight hours). |
| Fast Blinking Red (2 blinks/second) |  | Charging error but the battery is at end of useful life., e.g.: <ul style="list-style-type: none"> • Temperature is too low or too high. • Charging has gone on too long without completion (typically eight hours). |

1-Slot USB Charging Cradle



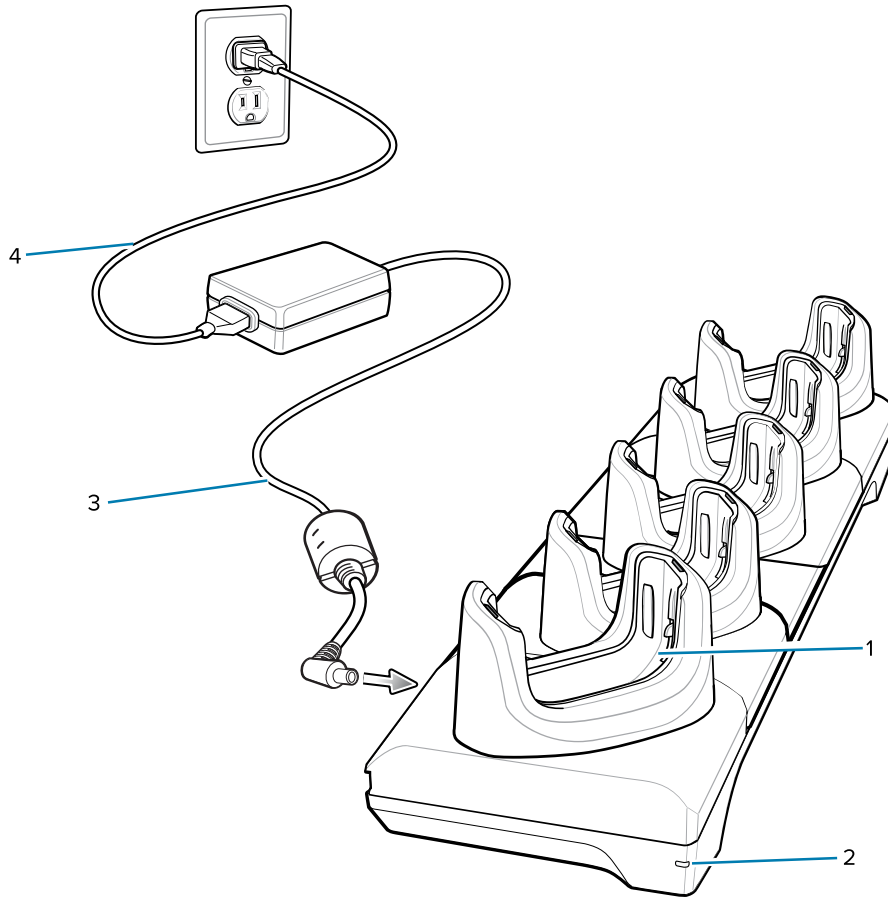
| | |
|---|-----------------------------|
| 1 | Spare battery charging slot |
| 2 | Power LED |
| 3 | Device charging slot |
| 4 | Power line cord |
| 5 | AC line cord |

1-Slot Ethernet and Communication Setup



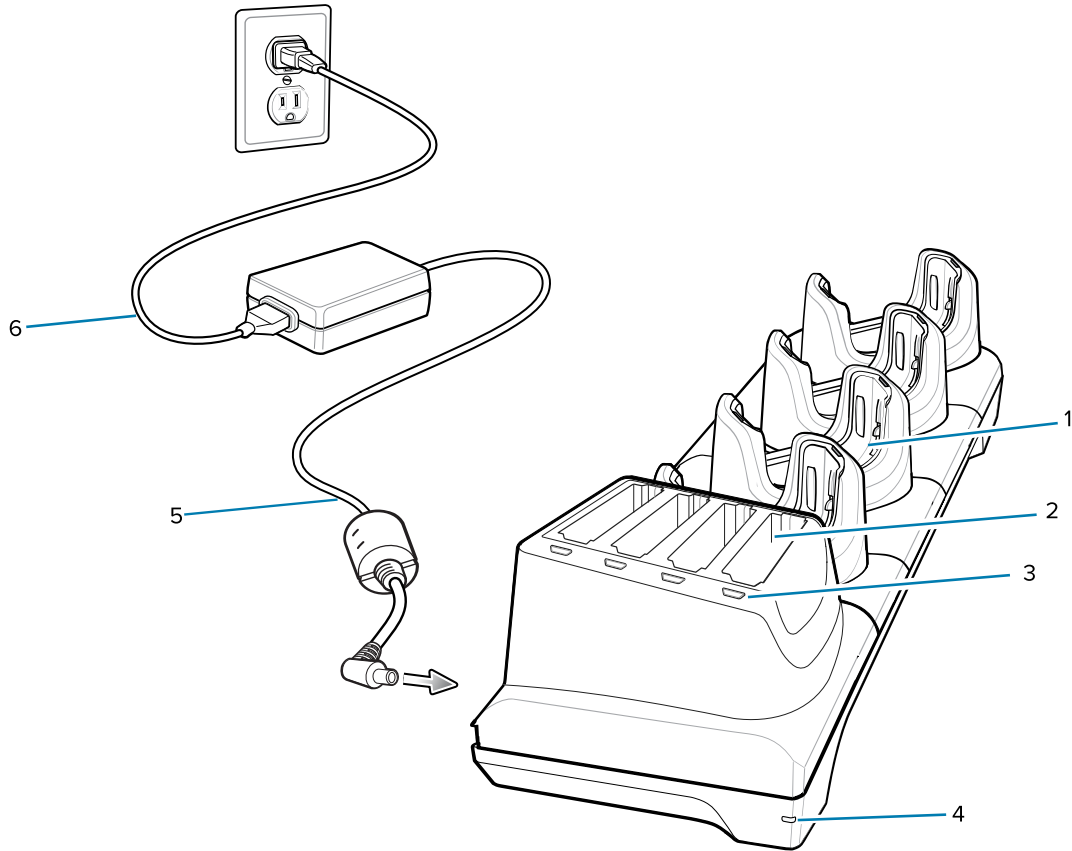
| | |
|---|-----------------|
| 1 | AC line cord |
| 2 | Ethernet switch |
| 3 | USB port |
| 4 | Ethernet port |
| 5 | Power supply |
| 6 | Host computer |

5-Slot Charge Only Cradle



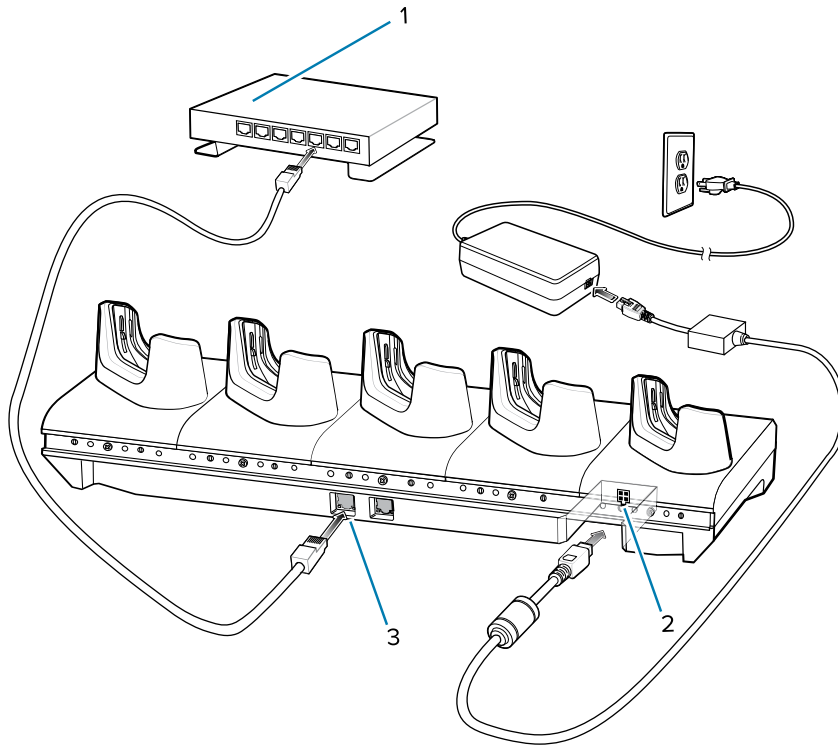
| | |
|---|----------------------|
| 1 | Device charging slot |
| 2 | Power LED |
| 3 | Power line cord |
| 4 | AC line cord |

5-Slot Charge Only Cradle with Battery Charger



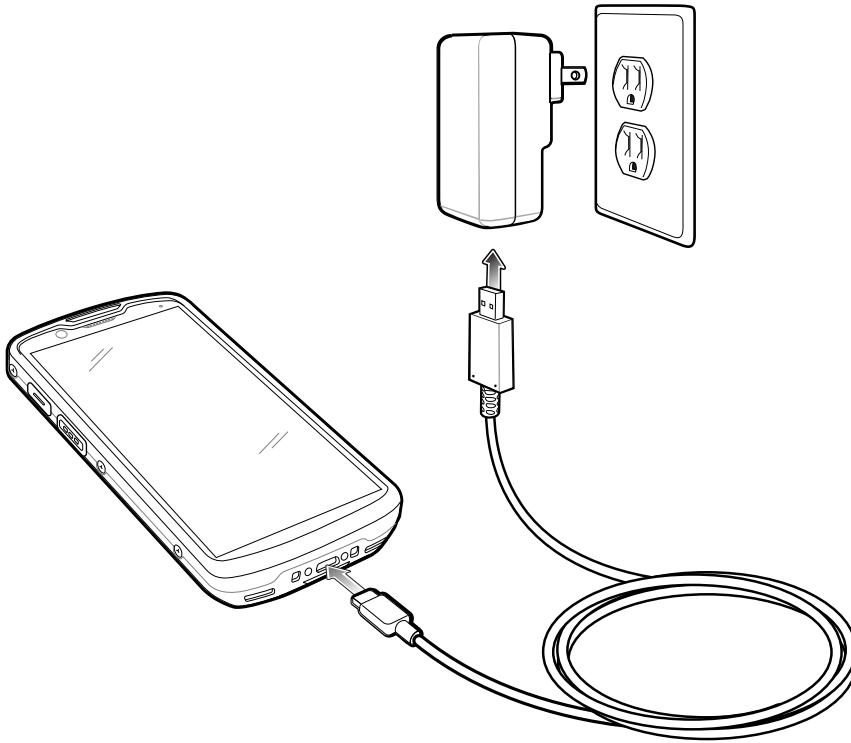
| | |
|---|-----------------------------|
| 1 | Device charging slot |
| 2 | Spare battery charging slot |
| 3 | Spare battery charging LED |
| 4 | Power LED |
| 5 | Power line cord |
| 6 | AC line cord |

5-Slot Ethernet Cradle Setup



| | |
|---|-----------------|
| 1 | Ethernet switch |
| 2 | Ethernet port |
| 3 | Power supply |

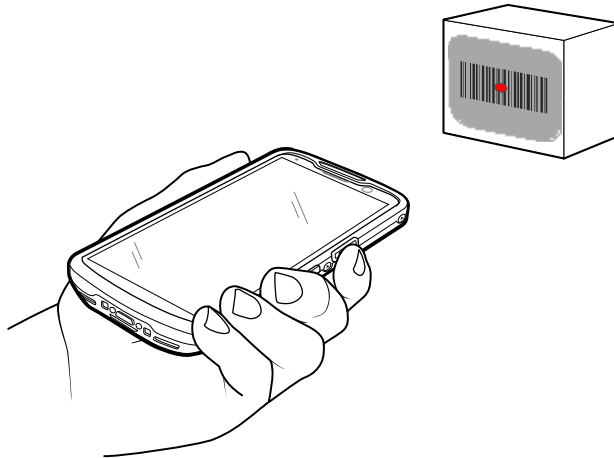
Charge/USB-C Cable



Scanning

To read a barcode, a scan-enabled application is required. The device contains the DataWedge application that allows the user to enable the imager, decode the barcode data and display the barcode content.

1. Ensure that an application is open on the device and a text field is in focus (text cursor in text field).
2. Point the exit window on the top of the device at a barcode.



3. Press and hold the scan button.

The red LED aiming pattern and red aiming dot turns on to assist in aiming.



NOTE: When the device is in Picklist mode, the imager does not decode the barcode until the crosshair or aiming dot touches the barcode.

4. Ensure the barcode is within the area formed by the cross-hairs in the aiming pattern. The aiming dot is used for increased visibility in bright lighting conditions.

Figure 3 Aiming Pattern

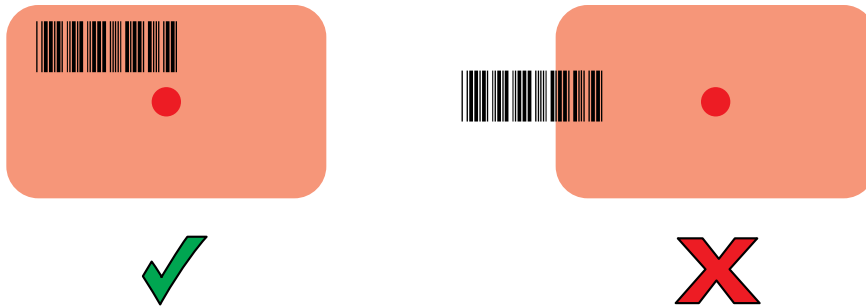
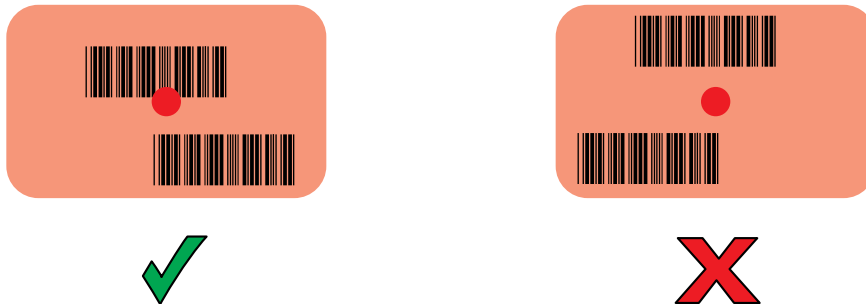


Figure 4 Pick List Mode with Multiple Barcodes in Aiming Pattern



5. The Data Capture LED lights green and a beep sounds, by default, to indicate the barcode was decoded successfully.
6. Release the scan button.



NOTE: Imager decoding usually occurs instantaneously. The device repeats the steps required to take a digital picture (image) of a poor or difficult barcode as long as the scan button remains pressed.

7. The barcode content data displays in the text field.

Ergonomic Considerations

