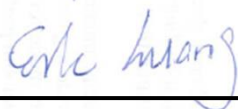


Hearing Aid Compatibility (HAC) T-Coil Test Report

APPLICANT : Zebra Technologies Corporation
EQUIPMENT : Touch Computer
BRAND NAME : Zebra
MODEL NAME : TC25AJ
FCC ID : UZ7TC25AJ
T-RATING : T4
STANDARD : FCC 47 CFR §20.19
ANSI C63.19-2011

We, SPORTON INTERNATIONAL INC., would like to declare that the tested sample has been evaluated in accordance with the procedures and shown the compliance with the applicable technical standards.

The test results in this report apply exclusively to the tested model / sample. Without written approval of SPORTON INTERNATIONAL INC., the test report shall not be reproduced except in full.



Reviewed by: Eric Huang / Manager



Approved by: Jones Tsai / Manager



SPORTON INTERNATIONAL INC.

No.52, Hwa Ya 1st Rd., Hwa Ya Technology Park, Kwei-Shan District, Taoyuan City, Taiwan
(R.O.C.)



Table of Contents

1. General Information 4

2. Administration Data 5

3. Applied Standards 5

4. Air Interface and Operating Mode..... 6

5. Measurement standards for T-Coil 7

 5.1 Frequency Response 7

 5.2 T-Coil Signal Quality Categories 7

6. T-Coil Test Procedure 8

 6.1 Test Flow Chart..... 9

 6.2 Test Setup Diagram10

 6.3 Description of EUT Test Position12

7. Test Equipment List13

8. T-Coil testing for OTT VoIP Calling14

9. Uncertainty Assessment17

10. References.....18

- Appendix A. Plots of T-Coil Measurement
- Appendix B. DASy Calibration Certificate
- Appendix C. Test Setup Photos



Revision History

REPORT NO.	VERSION	DESCRIPTION	ISSUED DATE
HA822209B	Rev. 01	Initial issue of report	Apr. 03, 2018



1. General Information

Product Feature & Specification	
Applicant Name	Zebra Technologies Corporation
Equipment Name	Touch Computer
Brand Name	Zebra
Model Name	TC25AJ
FCC ID	UZ7TC25AJ
S / N	17248521400809
HW Version	DV
SW Version	90-06-05-N-00-E1
MFD Version	11JUL17
EUT Stage	Engineering sample
Exposure category	General Population/Uncontrolled Exposure
Date Tested	2018/3/27
Frequency Band	GSM850: 824.2 MHz ~ 848.8 MHz GSM1900: 1850.2 MHz ~ 1909.8 MHz WCDMA Band II: 1852.4 MHz ~ 1907.6 MHz WCDMA Band IV: 1712.4 MHz ~ 1752.6 MHz WCDMA Band V: 826.4 MHz ~ 846.6 MHz LTE Band 2: 1850.7 MHz ~ 1909.3 MHz LTE Band 4: 1710.7 MHz ~ 1754.3 MHz LTE Band 5: 824.7 MHz ~ 848.3 MHz LTE Band 12: 699.7 MHz ~ 715.3 MHz LTE Band 17: 706.5 MHz ~ 713.5 MHz WLAN 2.4GHz Band: 2412 MHz ~ 2462 MHz WLAN 5.2GHz Band: 5180 MHz ~ 5240 MHz WLAN 5.3GHz Band: 5260 MHz ~ 5320 MHz WLAN 5.5GHz Band: 5500 MHz ~ 5720 MHz WLAN 5.8GHz Band: 5745 MHz ~ 5825 MHz Bluetooth: 2402 MHz ~ 2480 MHz
Mode	GSM/GPRS/EGPRS RMC/AMR 12.2Kbps HSDPA HSUPA LTE: QPSK, 16QAM 802.11a/b/g/n/ac HT20/HT40/VHT20/VHT40/VHT80 Bluetooth EDR/LE



2. Administration Data

Sporton Lab is accredited to ISO 17025 by Taiwan Accreditation Foundation (TAF code: 1190) and the FCC designation No. TW1190 under the FCC 2.948(e) by Mutual Recognition Agreement (MRA) in FCC test.

Testing Laboratory	
Test Site	SPORTON INTERNATIONAL INC.
Test Site Location	No.52, Hwa Ya 1st Rd., Hwa Ya Technology Park, Kwei-Shan District, Taoyuan City, Taiwan (R.O.C.) TEL: +886-3-327-3456 FAX: +886-3-328-4978
Test Site No.	Sporton Site No. : SAR04-HY
Applicant	
Company Name	Zebra Technologies Corporation
Address	1 Zebra Plaza Holtsville, NY 11742
Manufacturer	
Company Name	Zebra Technologies Corporation
Address	1 Zebra Plaza Holtsville, NY 11742

3. Applied Standards

- FCC CFR47 Part 20.19
- ANSI C63.19 2011-version
- FCC KDB 285076 D01 HAC Guidance v05
- FCC KDB 285076 D02 T Coil testing v03



4. Air Interface and Operating Mode

Air Interface	Band MHz	Type	C63.19 Tested	Simultaneous Transmitter	Name of Voice Service	Power Reduction
GSM	EDGE850	VD	Yes	WLAN, BT	Google Duo ⁽¹⁾	No
	EDGE1900					No
UMTS	850 HSPA	VD	Yes	WLAN, BT	Google Duo ⁽¹⁾	No
	1750 HSPA					No
	1900 HSPA					No
LTE (FDD)	Band 2	VD	Yes	WLAN, BT	Google Duo ⁽¹⁾	No
	Band 4					No
	Band 5					No
	Band 7					No
	Band 12					No
	Band 17					No
Wi-Fi	2450	VD	Yes	GSM,WCDMA,LTE	Google Duo ⁽¹⁾	No
	5200					No
	5300					No
	5500					No
	5800					No
BT	2450	DT	No	GSM,WCDMA,LTE	NA	No

Type Transport:
 VO= Voice only
 DT= Digital Transport only (no voice)
 VD= CMRS and IP Voice Service over Digital Transport

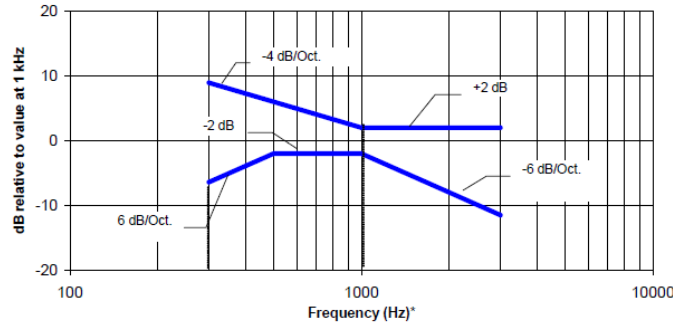
Remark:
 1. For protocols not listed in Table 7.1 of ANSI C63.19-2011 or the ANSI C63.19-2011 VoLTE interpretation, the average speech level of -20 dBm0 should be used.

5. Measurement standards for T-Coil

5.1 Frequency Response

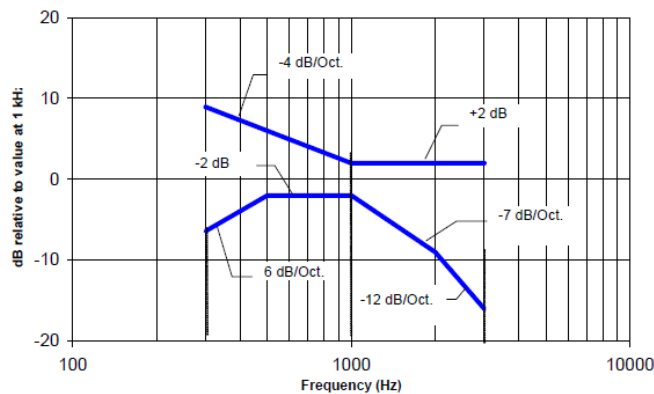
The frequency response of the perpendicular component of the magnetic field, measured in 1/3 octave bands, shall follow the response curve specified in this sub-clause, over the frequency range 300 Hz to 3000 Hz.

Figure 1.1 and Figure 1.2 provide the boundaries as a function of frequency. These response curves are for true field-strength measurements of the T-Coil signal. Thus, the 6 dB/octave probe response has been corrected from the raw readings.



NOTE—The frequency response is between 300 Hz and 3000 Hz.

Fig. 1.1 Magnetic field frequency response for WDs with field strength ≤ -15 dB at 1 kHz



NOTE—The frequency response is between 300 Hz and 3000 Hz.

Fig. 1.2 Magnetic field frequency response for WDs with a field that exceeds -15 dB(A/m) at 1 kHz

5.2 T-Coil Signal Quality Categories

This section provides the signal quality requirement for the intended T-Coil signal from a WD. Only the RF immunity of the hearing aid is measured in T-Coil mode. It is assumed that a hearing aid can have no immunity to an interference signal in the audio band, which is the intended reception band for this mode. A device is assessed beginning by determining the category of the RF environment in the area of the T-Coil source.

The RF measurements made for the T-Coil evaluation are used to assign the category T1 through T4. The limitation is given in Table 1. This establishes the RF environment presented by the WD to a hearing aid.

Category	Telephone parameters WD signal quality ((signal + noise) to noise ratio in dB)
Category T1	0 to 10 dB
Category T2	10 to 20 dB
Category T3	20 to 30 dB
Category T4	> 30 dB

Table 1 T-Coil Signal Quality Categories



6. T-Coil Test Procedure

Referenced to ANSI C63.19-2011, Section 7.4,

This section describes the procedures used to measure the ABM (T-Coil) performance of the WD. In addition to measuring the absolute signal levels, the A-weighted magnitude of the unintended signal shall also be determined. To assure that the required signal quality is measured, the measurement of the intended signal and the measurement of the unintended signal must be made at the same location for each measurement position. In addition, the RF field strength at each measurement location must be at or below that required for the assigned category.

Measurements shall not include undesired properties from the WD's RF field; therefore, use of a coaxial connection to a base station simulator or non-radiating load, there might still be RF leakage from the WD, which can interfere with the desired measurement. Pre-measurement checks should be made to avoid this possibility. All measurements shall be performed with the WD operating on battery power with an appropriate normal speech audio signal input level given in ANSI C63.19-2011 Table 7.1. If the device display can be turned off during a phone call, then that may be done during the measurement as well,

Measurement shall be performed at two locations specified in ANSI C63.19-2011 A.3, with the correct probe orientation for a particular location, in a multistage sequence by first measuring the field intensity of the desired T-Coil signal the same location as the desired ABM or T-Coil signal (ABM1), and the ratio of desired to undesired magnetic components (ABM2) must be measured at the same location as the desired ABM or T-Coil signal (ABM1), and the ratio of desired to undesired ABM signals must be calculated. For the perpendicular field location, only the ABM1 frequency response shall be determined in a third measurement stage.

The following steps summarize the basic test flow for determining ABM1 and ABM2. These steps assume that a sine wave or narrowband 1/3 octave signal can be used for the measurement of ABM1.

- a. A validation of the test setup and instrumentation may be performed using a TMFS or Helmholtz coil Measure the emissions and confirm that they are within the specified tolerance.
- b. Position the WD in the test setup and connect the WD RF connector to a base station simulator or a non-radiating load. Confirm that equipment that requires calibration has been calibrated, and that the noise level meets the requirements given in ANSI C63.19-2011 clause 7.3.1.
- c. The drive level to the WD is set such that the reference input level specified in ANSI C63.19-2011 Table 7.1 is input to the base station simulator (or manufacturer's test mode equivalent) in 1 kHz, 1/3 octave band. This drive level shall be used for the T-Coil signal test (ABM1) at $f = 1$ kHz. Either a sine wave at 1025 Hz or a voice-like signal, band-limited to the 1 kHz 1/3 octave, as defined in ANSI C63.19-2011 clause 7.4.2, shall be used for the reference audio signal. If interference is found at 1025 Hz an alternative nearby reference audio signal frequency may be used. The same drive level shall be used for the ABM1 frequency response measurements at each 1/3 octave band center frequency. The WD volume control may be set at any level up to maximum, provided that a signal at any frequency at maximum modulation would not result in clipping or signal overload.
- d. Determine the magnetic measurement locations for the WD device (A.3), if not already specified by the manufacturer, as described in ANSI C63.19-2011 clause 7.4.4.1.1 and 7.4.4.2.
- e. At each measurement location, measure and record the desired T-Coil magnetic signals (ABM1 at f_i) as described in ANSI C63.19-2011 clause 7.4.4.2 in each individual ISO 266-1975 R10 standard 1/3 octave band. The desired audio band input frequency (f_i) shall be centered in each 1/3 octave band maintaining the same drive level as determined in item c) and the reading taken for that band.
- f. Equivalent methods of determining the frequency response may also be employed, such as fast Fourier transform (FFT) analysis using noise excitation or input-output comparison using simulated speech. The full-band integrated probe output, as specified in D.9, may be used, as long as the appropriate calibration curve is applied to the measured result, so as to yield an accurate measurement of the field magnitude. (The resulting measurement shall be an accurate measurement in dB A/m.)
- g. All Measurements of the desired signal shall be shown to be of the desired signal and not of an undesired signal. This may be shown by turning the desired signal ON and OFF with the probe measuring the same location. If the scanning method is used the scans shall show that all measurement points selected for the ABM1 measurement meet the ambient and test system noise criteria in ANSI C63.19-2011 clause 7.3.1.
- h. At the measurement location for each orientation, measure and record the undesired broadband audio magnetic signal (ABM2) as specified in ANSI C63.19-2011 clause 7.4.4.4 with no audio signal applied (or digital zero applied, if appropriate) using A-weighting and the half-band integrator. Calculate the ratio of the desired to undesired signal strength (i.e., signal quality).
- i. Obtain the data from the postprocessor, SEMCAD, and determine the category that properly classifies the signal quality based on ANSI C63.19-2011 Table 8.5.

6.1 Test Flow Chart

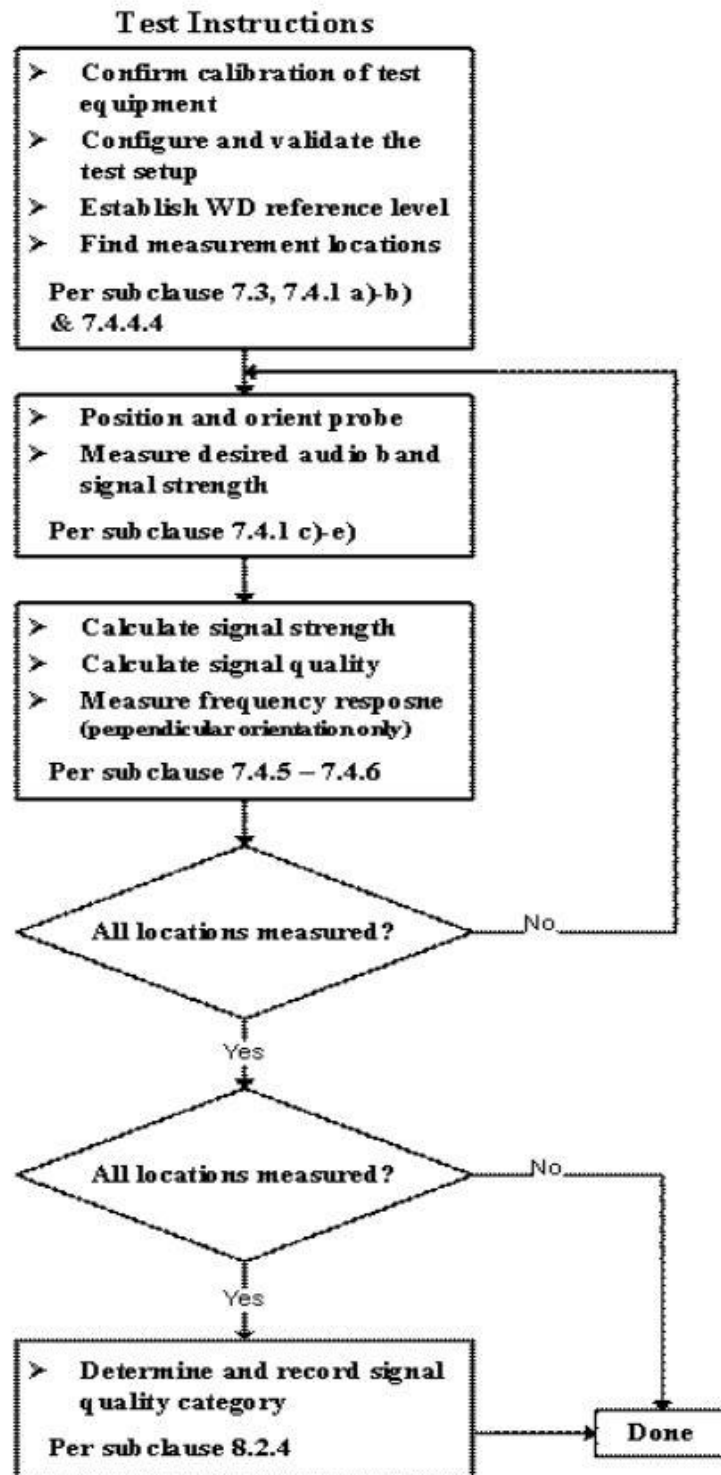
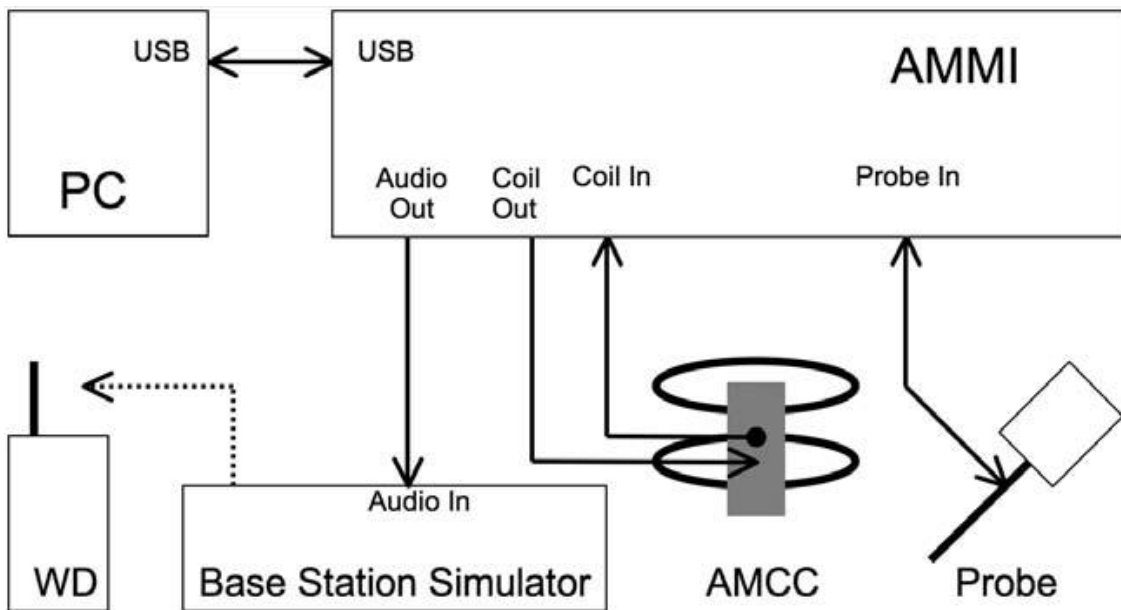


Fig. 2 T-Coil Signal Test flowchart

6.2 Test Setup Diagram



General Note:

1. Define the all applicable input audio level as below according to C63 and KDB 285076 D02v03:
 - OTT VoIP input Level: -20dBm0
2. The test setup used for Google DUO VoIP call is via the data application unit on CMW500 connection to the Internet, also connection to the other auxiliary VoIP unit which is used to configure the audio codec and bit rate and also monitor the audio input level of -20dBm0.



1. The Required gain factor for the specific signal shall typically be multiplied by this factor to achieve approx. the same level as for the 1kHz sine signal
2. The below calculation formula is an example and showing how to determine the input level for the device.

The predefined signal types have the following differences / factors compared to the 1kHz sine signal:

Signal [file name]	Duration [s]	Peak-to-RMS [dB]	RMS [dB]	Required gain factor *)	Gain setting
1kHz sine	---	3.0	0.0	1.00	
48k_1.025kHz_10s.wav	10	3.0	0.0	1.00	
48k_1kHz_3.15kHz_10s.wav	10	6.0	-3.0	1.42	
48k_315Hz_1kHz_10s.wav	10	6.0	-2.9	1.40	
48k_csek_8k_441_white_10s.wav	10	13.8	-10.5	3.34	
48k_multisine_50-5000_10s.wav	10	11.1	-7.9	2.49	
48k_voice_1kHz_1s.wav	1	16.2	-12.7	4.33	
48k_voice_300-3000_2s.wav	2	21.6	-18.6	8.48	

(*) The gain for the specific signal shall typically be multiplied by this factor to achieve approx. the same level as for the 1kHz sine signal.

Insert the gain applicable for your setup in the last column of the table.

Calculation formula:

- Audio Level at -16dBm0 = ((-16dBm0) – (3.14dBm0)) + X dBv
- Calculated Gain at -16dBm0 = 10((audio level at -16dBm0 – Y dBm0) / 20) * 10
- Gating setting at -16dBm0 = required gain factor * calculated gain

Gain Value	20* log(gain)	AMCC Coil In	Level
(linear)	dB	(dBv RMS)	dBm0
		-2.47	3.14
10	20	-19.85	-14.24
8.17	18.24	-21.61	-16

Signal Type	Duration (s)	Peak to RMS (dB)	RMS (dB)	Required Gain Factor	Calculated Gain Setting
1kHz sine	-	3	0	1	8.17
48k_voice_1kHz	1	16.2	-12.7	4.33	35.36
48k_voice_300Hz ~ 3kHz	2	21.6	-18.6	8.48	69.25

6.3 Description of EUT Test Position

Fig.3 illustrate the references and reference plane that shall be used in a typical EUT emissions measurement. The principle of this section is applied to EUT with similar geometry. Please refer to Appendix C for the setup photographs.

- ◆ The area is 5 cm by 5 cm.
- ◆ The area is centered on the audio frequency output transducer of the EUT.
- ◆ The area is in a reference plane, which is defined as the planar area that contains the highest point in the area of the phone that normally rests against the user’s ear. It is parallel to the centerline of the receiver area of the phone and is defined by the points of the receiver-end of the EUT handset, which, in normal handset use, rest against the ear.
- ◆ The measurement plane is parallel to, and 10 mm in front of, the reference plane.

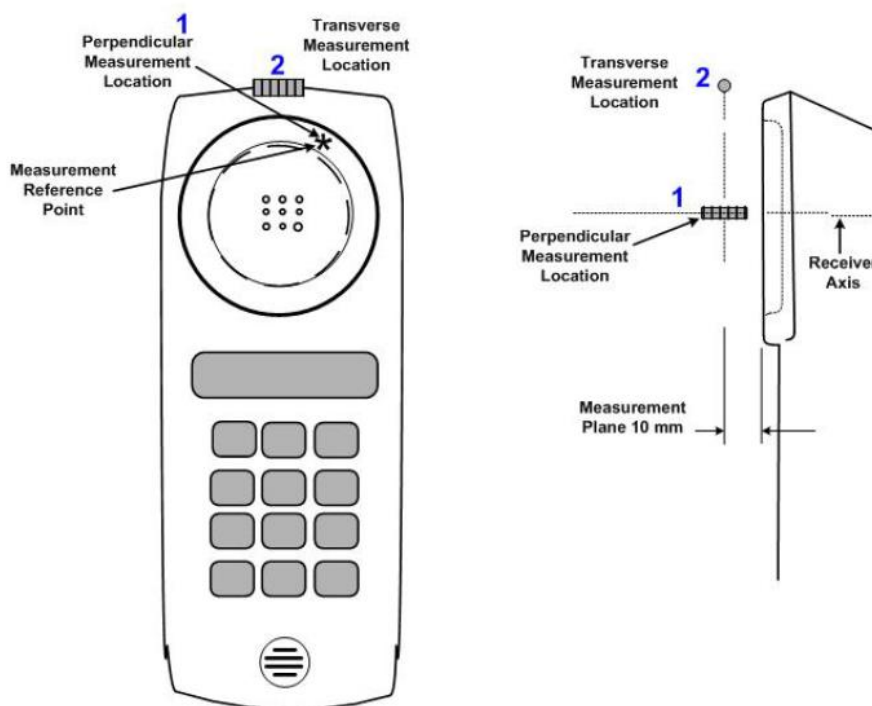


Fig.3 A typical EUT reference and plane for T-Coil measurements



7. Test Equipment List

Manufacturer	Name of Equipment	Type/Model	Serial Number	Calibration	
				Last Cal.	Due Date
SPEAG	Audio Magnetic 1D Field Probe	AM1DV3	3130	Nov. 21, 2017	Nov. 20, 2018
SPEAG	Data Acquisition Electronics	DAE4	854	May. 02, 2017	May. 01, 2018
SPEAG	Audio Magnetic Calibration Coil	AMCC	1049	NCR	NCR
SPEAG	Audio Measuring Instrument	AMMI	1041	NCR	NCR
Gencom	Thermometer	TE1	TM685-1	Mar. 21, 2017	Mar. 20, 2018
R&S	Base Station	CMW500	149637	Jul. 26, 2017	Jul. 25, 2018
SPEAG	Test Arch Phantom	N/A	N/A	NCR	NCR
SPEAG	Phone Positoiner	N/A	N/A	NCR	NCR

Note:

- 1. NCR: "No-Calibration Required"



8. T-Coil testing for OTT VoIP Calling

General Notes:

1. The google Duo VoIP call software is pre-installed on this device and head-to-ear scenario should be consideration, the google Duo only support OPUS audio codec and support 6Kbpa to 75Kbps bitrate. According to KDB 285076 D02, all air interfaces via a data connection with google Duo VoIP calling would be consideration to be tested.
2. The test setup used for OTT VoIP call is via the data application unit on CMW500 connection to the Internet, also connection to the other auxiliary VoIP unit which is used to configure the audio codec and bit rate and also monitor the audio input level of -20dBm0
3. For OTT over LTE or OTT over WiFi radio configuration investigation is choose either one codec and an investigation was performed on all frequency band, data rates and modulations and RB configuration to determine the radio configuration to be used for testing, the following tests results which the worst case configuration would be remarked to be used for the testing for the handset.
4. For OTT VoIP codec investigation test reduction, due to all air interface have the same codec configuration, therefore, the codec investigation was choose UMTS B2 to determine the audio codec configuration to be used for others air interfaces testing. the following codec investigation tests results which the worst case codec would be remarked to be used for the testing for the handset.

<Radio configure Investigation>

Air Interface	BW (MHz)	Modulation	RB Size	RB offset	Channel	Probe Position	ABM1 dB (A/m)	ABM2 dB (A/m)	Signal Quality dB
LTE B2	20	QPSK	1	0	18900	Axial (Z)	1.11	-46.61	47.72
LTE B2	20	QPSK	50	0	18900	Axial (Z)	1.14	-47.57	48.71
LTE B2	20	QPSK	100	0	18900	Axial (Z)	1.11	-47.13	48.24
LTE B2	20	16QAM	1	0	18900	Axial (Z)	1.33	-47.40	48.73
LTE B2	20	64QAM	1	0	18900	Axial (Z)	1.11	-46.79	47.90
LTE B2	15	QPSK	1	0	18900	Axial (Z)	1.18	-47.34	48.52
LTE B2	10	QPSK	1	0	18900	Axial (Z)	1.12	-47.15	48.27
LTE B2	5	QPSK	1	0	18900	Axial (Z)	1.11	-47.98	49.09
LTE B2	3	QPSK	1	0	18900	Axial (Z)	1.14	-47.56	48.70
LTE B2	1.4	QPSK	1	0	18900	Axial (Z)	1.14	-47.62	48.76



Air Interface	BW (MHz)	Mode	Channel	Probe Position	ABM1 dB (A/m)	ABM2 dB (A/m)	Signal Quality dB
802.11b	20	1M	6	Axial (Z)	1.14	-41.99	43.13
802.11b	20	11M	6	Axial (Z)	1.07	-42.42	43.49
802.11g	20	6M	6	Axial (Z)	1.15	-42.34	43.49
802.11g	20	54M	6	Axial (Z)	1.11	-42.53	43.64
802.11n-HT20	20	MCS0	6	Axial (Z)	1.09	-42.34	43.43
802.11n-HT20	20	MCS7	6	Axial (Z)	1.10	-42.48	43.58
802.11n-HT40	40	MCS0	6	Axial (Z)	1.13	-42.48	43.61
802.11n-HT40	40	MCS7	6	Axial (Z)	1.01	-42.57	43.58
802.11a	20	6M	40	Axial (Z)	0.48	-39.96	40.44
802.11a	20	54M	40	Axial (Z)	0.70	-39.93	40.63
802.11an-HT20	20	MCS0	40	Axial (Z)	2.31	-39.49	41.80
802.11an-HT20	20	MCS9	40	Axial (Z)	0.26	-40.74	41.00
802.11an-HT40	40	MCS0	38	Axial (Z)	1.90	-39.96	41.86
802.11an-HT40	40	MCS9	38	Axial (Z)	1.86	-39.90	41.76
802.11ac-VHT20	20	MCS0	40	Axial (Z)	1.87	-39.95	41.82
802.11ac-VHT20	20	MCS9	40	Axial (Z)	1.89	-39.97	41.86
802.11ac-VHT40	40	MCS0	38	Axial (Z)	1.89	-39.97	41.86
802.11ac-VHT40	40	MCS9	38	Axial (Z)	2.23	-39.45	41.68
802.11ac-VHT80	80	MCS0	50	Axial (Z)	1.51	-39.84	41.35
802.11ac-VHT80	80	MCS9	50	Axial (Z)	1.87	-40.51	42.38

<Codec Investigation>

Codec	Bitrate 6Kbps	Bitrate 40Kbps	Bitrate 75Kbps	Orientation	Band / BW / Channel
ABM 1 (dBA/m)	3.46	0.98	0.87	Axial	UMTS B2 / 9400
ABM 2 (dBA/m)	-50.2	-48.62	-48.58		
Signal Quality (dB)	53.66	49.6	49.45		
Freq. Response	Pass	Pass	Pass		



<Summary Tests Results>

Plot No.	Air Interface	Modulation / Mode	Channel	Probe Position	ABM1 dB (A/m)	ABM2 dB (A/m)	Signal Quality dB	T Rating	Frequency Response
1	GSM850	EDGE	189	Axial (Z)	0.89	-40.47	41.36	T4	Pass
				Transversal (Y)	-7.00	-42.02	35.02	T4	
2	GSM1900	EDGE	661	Axial (Z)	-6.60	-43.78	37.18	T4	Pass
				Transversal (Y)	-7.51	-45.91	38.40	T4	
3	WCDMA II	HSPA	9400	Axial (Z)	0.87	-48.58	49.45	T4	Pass
				Transversal (Y)	-7.07	-46.45	39.38	T4	
4	WCDMA IV	HSPA	1413	Axial (Z)	0.79	-48.62	49.41	T4	Pass
				Transversal (Y)	-6.64	-46.09	39.45	T4	
5	WCDMA V	HSPA	4182	Axial (Z)	0.83	-48.42	49.25	T4	Pass
				Transversal (Y)	-7.03	-46.97	39.94	T4	
6	LTE Band 2	20M_QPSK_1_0	18900	Axial (Z)	0.56	-47.98	48.54	T4	Pass
				Transversal (Y)	-6.85	-45.55	38.70	T4	
7	LTE Band 4	20M_QPSK_1_0	20175	Axial (Z)	0.48	-48.52	49.00	T4	Pass
				Transversal (Y)	-7.11	-46.08	38.97	T4	
8	LTE Band 5	10M_QPSK_1_0	20525	Axial (Z)	0.52	-48.49	49.01	T4	Pass
				Transversal (Y)	-7.11	-46.96	39.85	T4	
9	LTE Band 12	10M_QPSK_1_0	23095	Axial (Z)	0.55	-48.58	49.13	T4	Pass
				Transversal (Y)	-7.02	-46.93	39.91	T4	
10	LTE Band 17	10M_QPSK_1_0	23790	Axial (Z)	0.59	-48.64	49.23	T4	Pass
				Transversal (Y)	-7.00	-47.03	40.03	T4	
11	WLAN2.4GHz	802.11b 1Mbps	6	Axial (Z)	0.53	-42.58	43.11	T4	Pass
				Transversal (Y)	-6.71	-46.10	39.39	T4	
12	WLAN5GHz	802.11a 6Mbps	40	Axial (Z)	0.55	-46.10	46.65	T4	Pass
				Transversal (Y)	-6.79	-39.33	32.54	T4	
13	WLAN5GHz	802.11a 6Mbps	60	Axial (Z)	0.52	-44.17	44.69	T4	Pass
				Transversal (Y)	-6.77	-43.43	36.66	T4	
14	WLAN5GHz	802.11a 6Mbps	124	Axial (Z)	0.10	-40.56	40.66	T4	Pass
				Transversal (Y)	-7.03	-45.55	38.52	T4	
15	WLAN5GHz	802.11a 6Mbps	157	Axial (Z)	-0.10	-44.54	44.44	T4	Pass
				Transversal (Y)	-7.28	-43.89	36.61	T4	

Remark:

1. Phone Condition: Mute on; Backlight off; Max Volume
2. The detail frequency response results please refer to appendix A.
3. Test Engineer : Steven Chang and Galen Chang



9. Uncertainty Assessment

The evaluation of uncertainty by the statistical analysis of a series of observations is termed a Type A evaluation of uncertainty. The evaluation of uncertainty by means other than the statistical analysis of a series of observation is termed a Type B evaluation of uncertainty. Each component of uncertainty, however evaluated, is represented by an estimated standard deviation, termed standard uncertainty, which is determined by the positive square root of the estimated variance. The combined standard uncertainty of the measurement result represents the estimated standard deviation of the result. It is obtained by combining the individual standard uncertainties of both Type A and Type B evaluation using the usual “root-sum-squares” (RSS) methods of combining standard deviations by taking the positive square root of the estimated variances. Expanded uncertainty is a measure of uncertainty that defines an interval about the measurement result within which the measured value is confidently believed to lie. It is obtained by multiplying the combined standard uncertainty by a coverage factor. For purpose of this document, a coverage factor two is used, which corresponds to confidence interval of about 95 %. The DASy uncertainty Budget is showed in Table 8.2.

Error Description	Uncertainty Value (±%)	Probability Distribution	Divisor	Ci (ABM1)	Ci (ABM2)	Standard Uncertainty (ABM1)	Standard Uncertainty (ABM2)
Probe Sensitivity							
Reference Level	3.0	Normal	1	1	1	± 3.0 %	± 3.0 %
AMCC Geometry	0.4	Rectangular	√3	1	1	± 0.2 %	± 0.2 %
AMCC Current	1.0	Rectangular	√3	1	1	± 0.6 %	± 0.6 %
Probe Positioning During Calibrate	0.1	Rectangular	√3	1	1	± 0.1 %	± 0.1 %
Noise Contribution	0.7	Rectangular	√3	0.0143	1	± 0.0 %	± 0.4 %
Frequency Slope	5.9	Rectangular	√3	0.1	1	± 0.3 %	± 3.5 %
Probe System							
Repeatability / Drift	1.0	Rectangular	√3	1	1	± 0.6 %	± 0.6 %
Linearity / Dynamic Range	0.6	Rectangular	√3	1	1	± 0.4 %	± 0.4 %
Acoustic Noise	1.0	Rectangular	√3	0.1	1	± 0.1 %	± 0.6 %
Probe Angle	2.3	Rectangular	√3	1	1	± 1.4 %	± 1.4 %
Spectral Processing	0.9	Rectangular	√3	1	1	± 0.5 %	± 0.5 %
Integration Time	0.6	Normal	1	1	5	± 0.6 %	± 3.0 %
Field Disturbation	0.2	Rectangular	√3	1	1	± 0.1 %	± 0.1 %
Test Signal							
Reference Signal Spectral Response	0.6	Rectangular	√3	0	1	± 0.0 %	± 0.4 %
Positioning							
Probe Positioning	1.9	Rectangular	√3	1	1	± 1.1 %	± 1.1 %
Phantom Thickness	0.9	Rectangular	√3	1	1	± 0.5 %	± 0.5 %
EUT Positioning	1.9	Rectangular	√3	1	1	± 1.1 %	± 1.1 %
External Contributions							
RF Interference	0.0	Rectangular	√3	1	0.3	± 0.0 %	± 0.0 %
Test Signal Variation	2.0	Rectangular	√3	1	1	± 1.2 %	± 1.2 %
Combined Standard Uncertainty						± 4.1 %	± 6.1 %
Coverage Factor for 95 %						K = 2	
Expanded Uncertainty						± 8.1 %	± 12.3 %

Table 8.2 Uncertainty Budget of audio band magnetic measurement



10. References

- [1] ANSI C63.19-2011, "American National Standard for Methods of Measurement of Compatibility between Wireless Communications Devices and Hearing Aids", 27 May 2011.
- [2] FCC KDB 285076 D01v05, "Equipment Authorization Guidance for Hearing Aid Compatibility", Sep 2017
- [3] FCC KDB 285076 D02v03, "Guidance for performing T-Coil tests for air interfaces supporting voice over IP (e.g., LTE and WiFi) to support CMRS based telephone services", Sep 2017
- [4] SPEAG DASY System Handbook