

Gen-X Antennas Report in EVT3 Phase

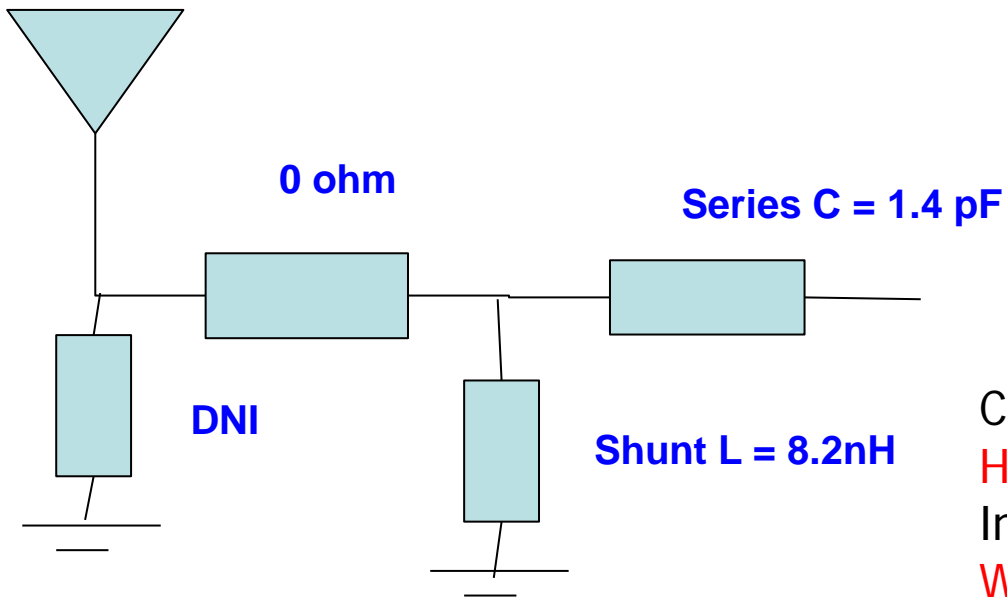
Ken
RF Development
Department
CVS1
USI
May. 26, 2015

- **1. Summary**
- **2. BT antenna Performance**

Summary

- Change the component for BT matching circuit.
- The efficiency is about 53~57% for BT antenna and the peak gain is 2.6dBi

BT Antenna Picture and Test Fixture

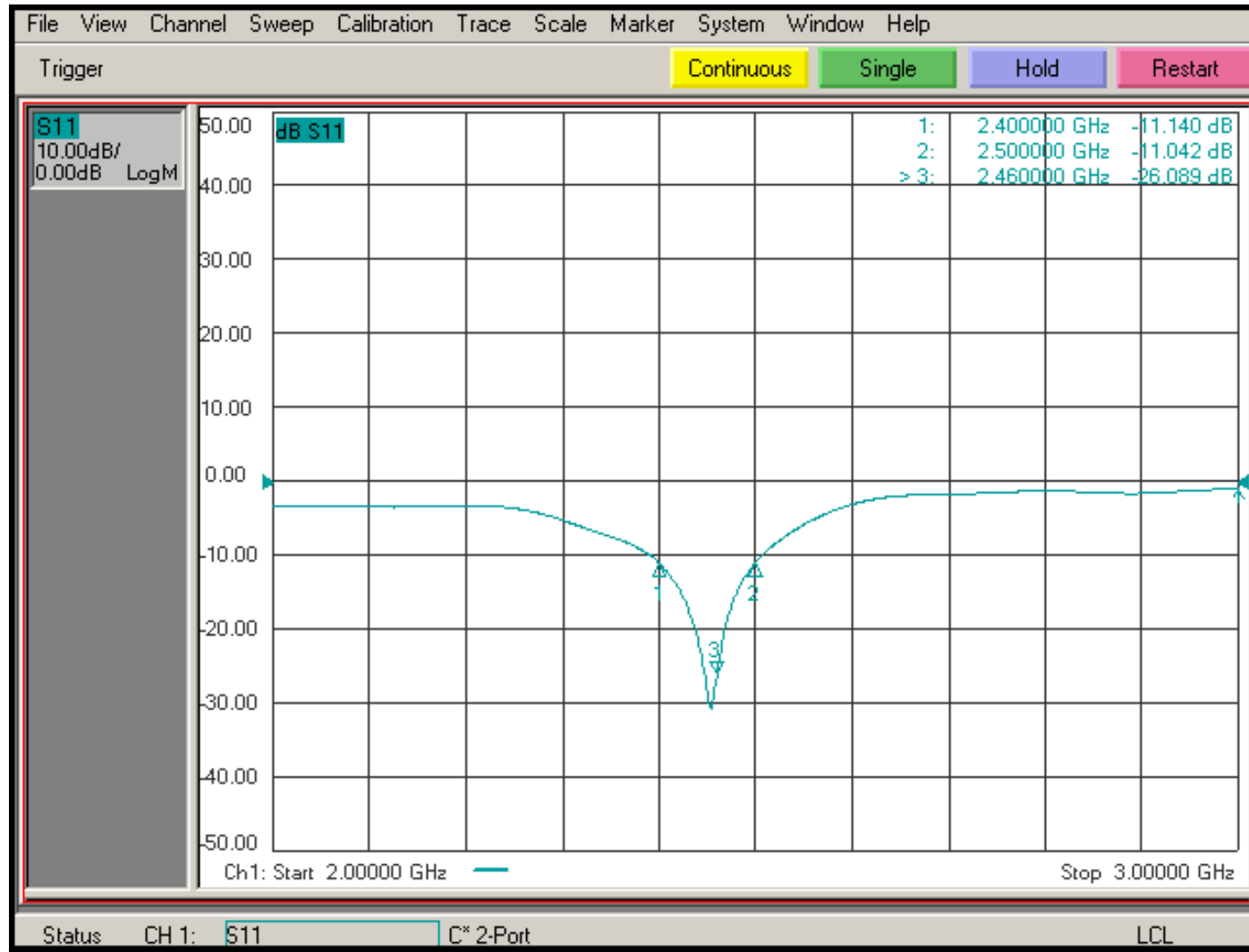


Capacitance: 1.4 pF +/- 0.05 pF - GJM1555C1H1R4BB01D
Hi-Q_low_ESR
Inductance: 8.2 nH ± 2% - LQW15AN8N2G00
Wire Wond

BT Antenna Picture and Test Fixture

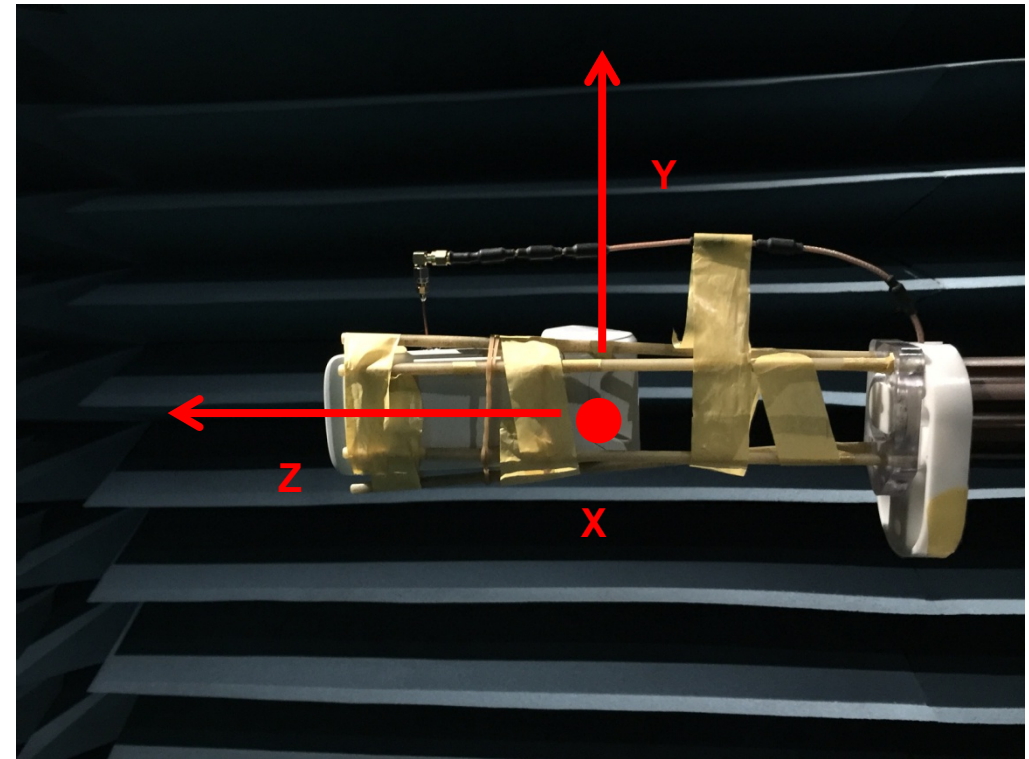
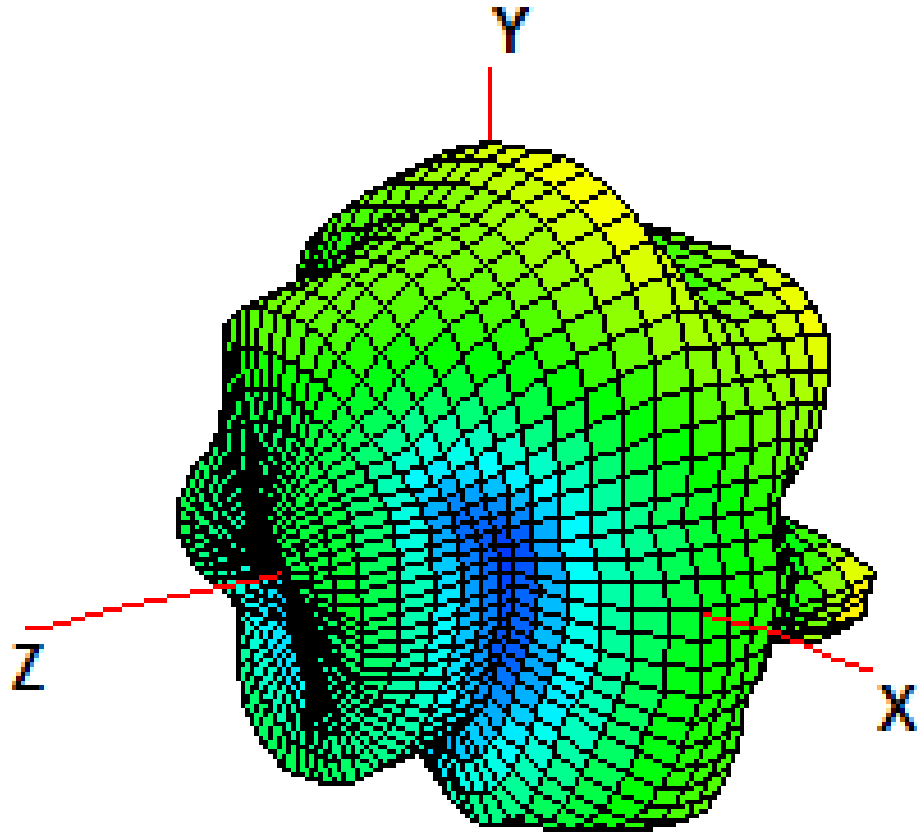


BT Antenna Performance



Frequency (MHz)	2400	2450	2500
Efficiency(%)	57.21	57.87	53.42
Directivity(dB)	1.97	2.47	2.31

3D-Pattern



Thank You

www.usish.com

Realizing IDEAS Together