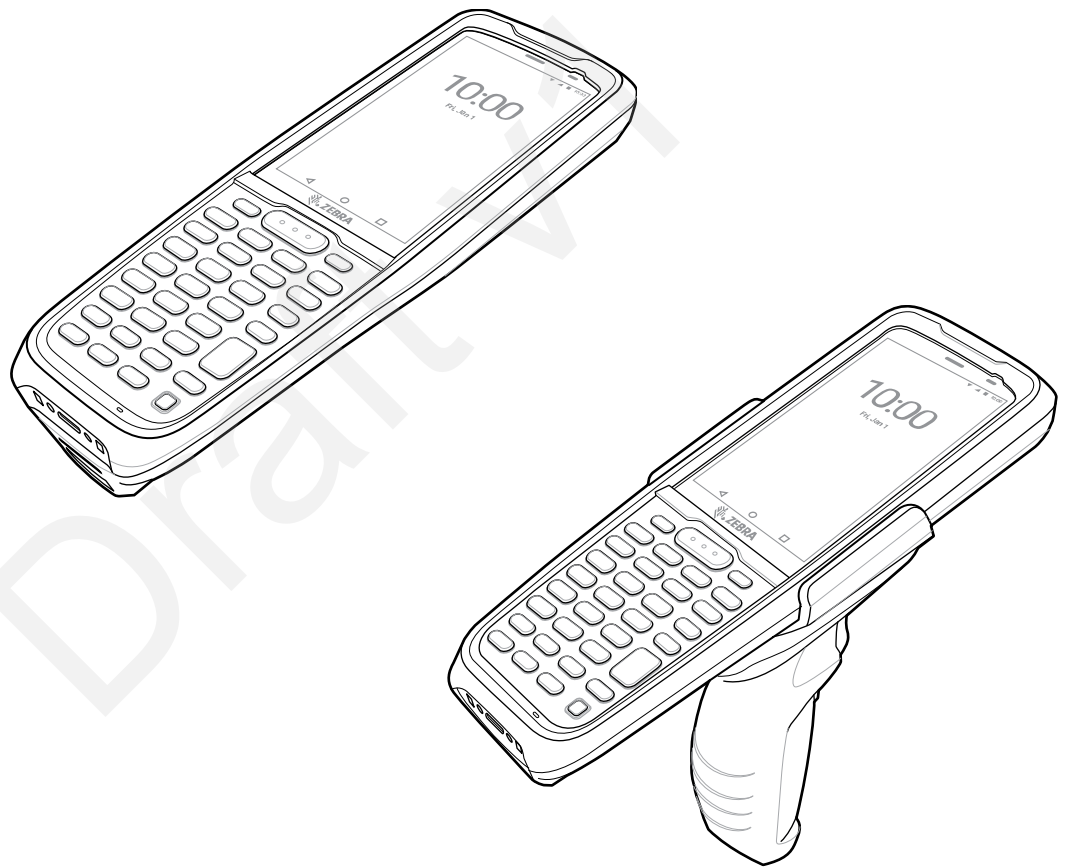


# MC2200/MC2700

Mobile Computer



## Quick Start Guide



**ZEBRA**

## Copyright

ZEBRA and the stylized Zebra head are trademarks of Zebra Technologies Corporation, registered in many jurisdictions worldwide. All other trademarks are the property of their respective owners. ©2020 Zebra Technologies Corporation and/or its affiliates. All rights reserved.

**COPYRIGHTS & TRADEMARKS:** For complete copyright and trademark information, go to [www.zebra.com/copyright](http://www.zebra.com/copyright).

**WARRANTY:** For complete warranty information, go to [www.zebra.com/warranty](http://www.zebra.com/warranty).

**END USER LICENSE AGREEMENT:** For complete EULA information, go to [www.zebra.com/eula](http://www.zebra.com/eula).

## Terms of Use

- Proprietary Statement

This manual contains proprietary information of Zebra Technologies Corporation and its subsidiaries (“Zebra Technologies”). It is intended solely for the information and use of parties operating and maintaining the equipment described herein. Such proprietary information may not be used, reproduced, or disclosed to any other parties for any other purpose without the express, written permission of Zebra Technologies.

- Product Improvements

Continuous improvement of products is a policy of Zebra Technologies. All specifications and designs are subject to change without notice.

- Liability Disclaimer

Zebra Technologies takes steps to ensure that its published Engineering specifications and manuals are correct; however, errors do occur. Zebra Technologies reserves the right to correct any such errors and disclaims liability resulting therefrom.

- Limitation of Liability

In no event shall Zebra Technologies or anyone else involved in the creation, production, or delivery of the accompanying product (including hardware and software) be liable for any damages whatsoever (including, without limitation, consequential damages including loss of business profits, business interruption, or loss of business information) arising out of the use of, the results of use of, or inability to use such product, even if Zebra Technologies has been advised of the possibility of such damages. Some jurisdictions do not allow the exclusion or limitation of incidental or consequential damages, so the above limitation or exclusion may not apply to you.

## Unpacking

To unpack the device:

1. Carefully remove all protective material from the device and save the shipping container for later storage and shipping.
2. Verify that the following were received:
  - Mobile computer
  - PowerPrecision Lithium-ion battery
  - **Straight hand strap**
  - Regulatory Guide.
3. Inspect the equipment for damage. If any equipment is missing or damaged, contact the Global Customer Support center immediately.
4. Prior to using the device for the first time, remove the protective shipping film that covers the scan window, display and camera window.

## Features

### Front View

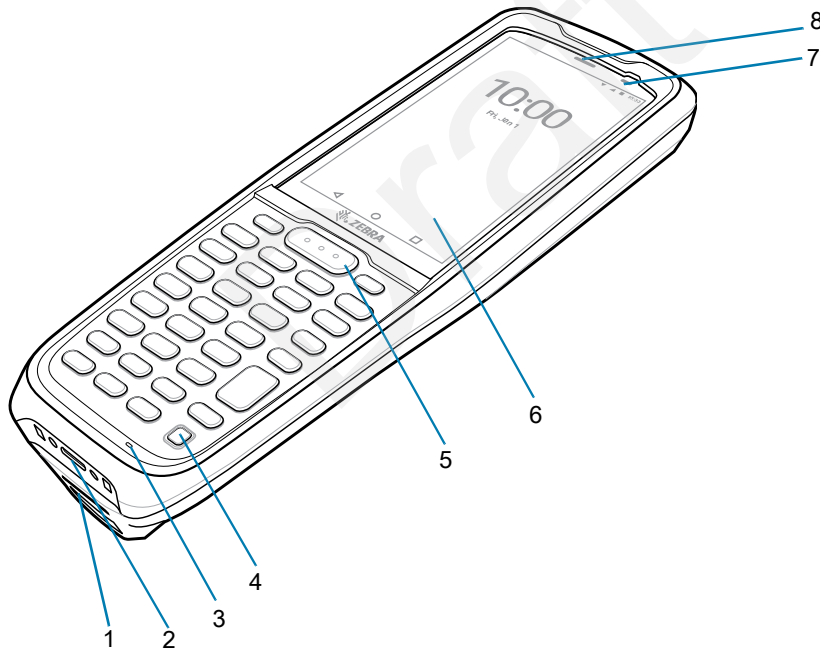


Table 1 Front View Features

Number	Item	Function
1	Hand strap clip slot	Use for securing the hand strap in place.
2	USB-C connector/Bottom port	Provides USB host and client communications, and device charging via cables and accessories.
3	Microphone	Use for communications in Handset mode.
4	Power button	Turns the display on and off. Press and hold to reset the device or power off.
5	Scan button	Initiates data capture when a scan application is enabled.
6	Touch screen	Displays all information needed to operate the device.
7	Charging/Notification LED	Indicates battery charging status while charging and application generated notifications.
8	Scan indicator	Indicates a successful or unsuccessful scan.

## Back View

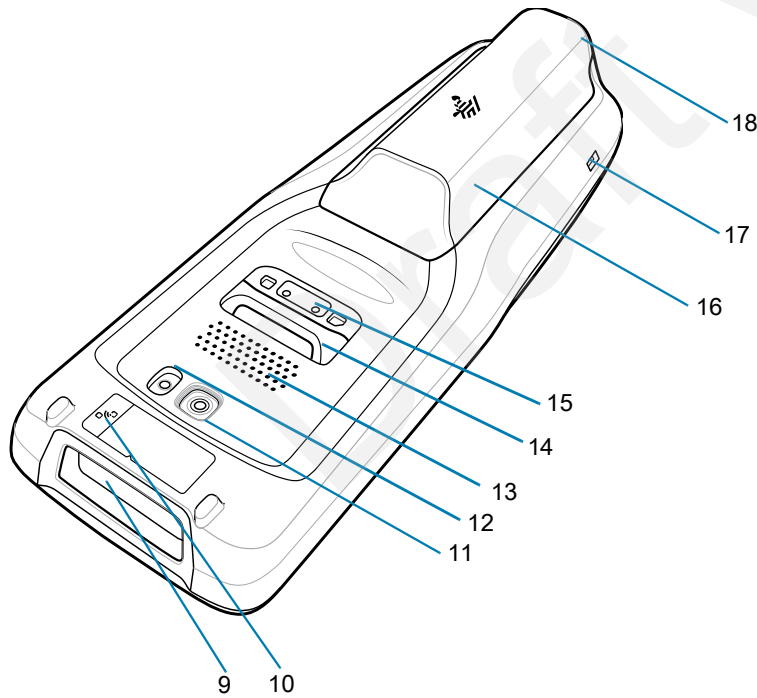


Table 2 Back View Features

Number	Item	Function
9	Exit window	Provides data capture using the imager.
10	NFC antenna	Provides communication with other NFC-enabled devices.
11	Camera	Takes photos and videos.

Table 2 Back View Features (continued)

Number	Item	Function
12	Flash	Provides illumination for the camera.
13	Speaker	Provides audio output for video and music playback.
14	Hand strap mount	Provides mounting point for hand strap accessory.
15	Back port	The two pin back I/O is an electrical contact that is activated by the trigger handle.
16	Battery	Standard - 3500 mAh (typical) / 3300 mAh (minimum) PowerPrecision Lithium-ion Battery
17	Alignment feature/Latch recess	Use to help guide the USB-C connector into one of the charging cradles.
18	Battery release button	Press to remove the battery.

## Setting Up the Device

To start using the device for the first time:

1. Install a micro secure digital (SD) card (optional).
2. **Install a nano SIM card (optional).**
3. Install the battery.
4. Install the trigger handle (optional).
5. Install hand strap (optional).
6. Charge the device.
7. Power on the device.

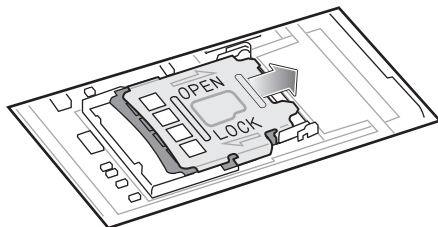
## Installing a microSD Card

The microSD card slot provides secondary non-volatile storage. The slot is located under the battery pack. Refer to the documentation provided with the card for more information, and follow the manufacturer's recommendations for use.

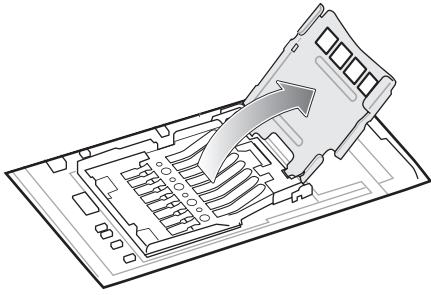


**CAUTION:** Follow proper electrostatic discharge (ESD) precautions to avoid damaging the microSD card. Proper ESD precautions include, but are not limited to, working on an ESD mat and ensuring that the operator is properly grounded.

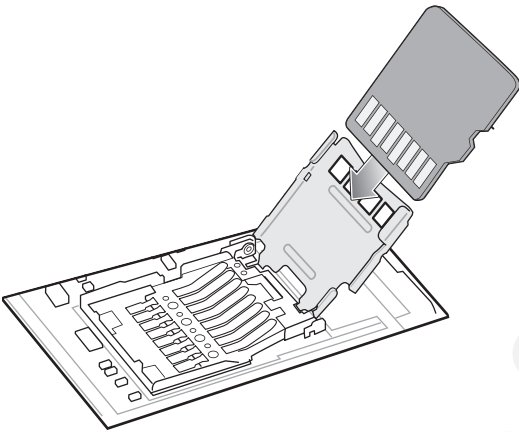
1. Remove the battery. See [Removing the Battery on page 8](#).
2. Slide the microSD card holder to the Open position.



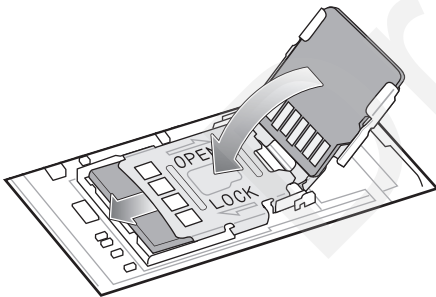
3. Lift the microSD card holder.



4. Insert the microSD card into the card holder door ensuring that the card slides into the holding tabs on each side of the door.



5. Close the microSD card holder and slide into the Lock position.



6. Replace the battery. See [Installing the Battery](#) on page 8.

## Installing the SIM Card



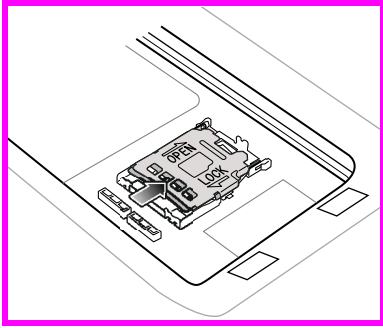
**NOTE:** Only use a nano SIM card. Not applicable to MC2200.



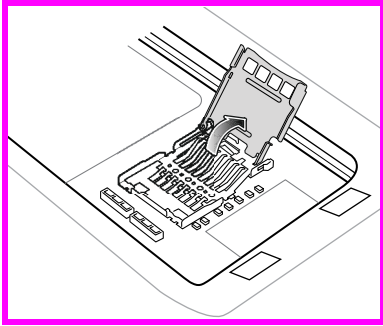
**CAUTION:** For proper electrostatic discharge (ESD) precautions to avoid damaging the SIM card. Proper ESD precautions include, but not limited to, working on an ESD mat and ensuring that the user is properly grounded.

1. Remove the battery. See [Removing the Battery](#) on page 8.

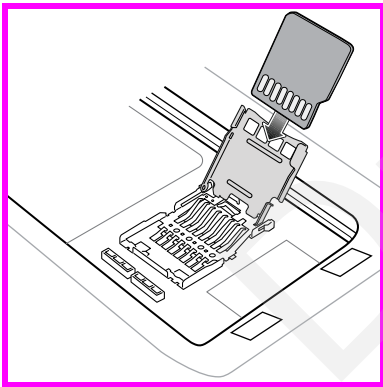
2. Slide the SIM card holder to the unlock position.



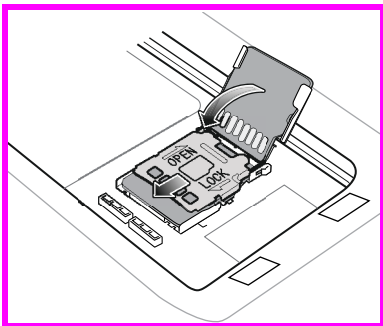
3. Lift the SIM card holder door.



4. Place the nano SIM card into the card holder with contacts facing down.



5. Close the SIM card holder door and slide into the lock position.



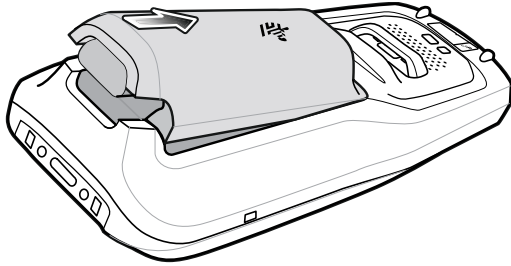
6. Replace the battery. See Installing the Battery on page 8.

## Installing the Battery

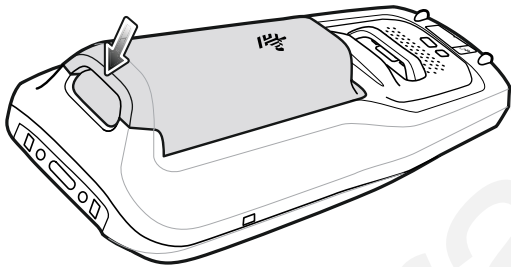


**NOTE:** User modification of the device, particularly in the battery well, such as labels, asset tags, engravings, stickers, etc., may compromise the intended performance of the device or accessories. Performance levels such as sealing (Ingress Protection (IP)), impact performance (drop and tumble), functionality, temperature resistance, etc. could be effected. **DO NOT** put any labels, asset tags, engravings, stickers, etc. in the battery well.

1. Insert the battery, top first, into the battery compartment in the back of the device.



2. Press the bottom of the battery down, into the battery compartment, until the battery release button snaps into place.

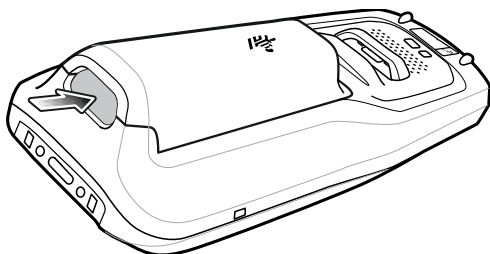


## Removing the Battery



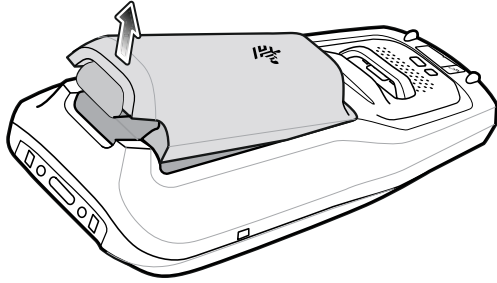
**NOTE:** It is recommended to remove the optional trigger handle and/or hand strap prior to battery removal.

1. Holding both the top and bottom of the battery, press the battery release button on the bottom of the battery with your thumb.



2. Lift the bottom of the battery up.

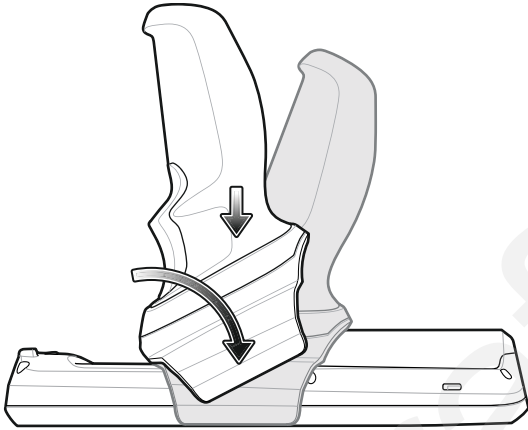




## Installing/Removing the Trigger Handle

### Installing the Trigger Handle Using the Hand Strap Mount

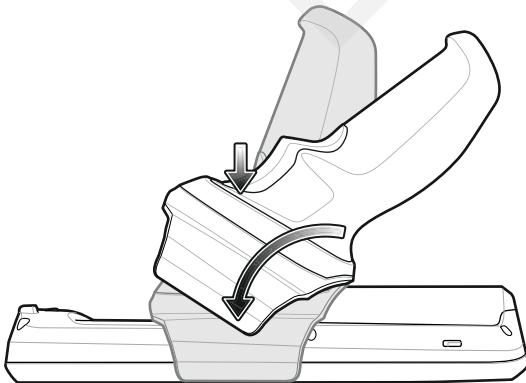
1. Align the hand strap mount on the back of the device with the recess on the trigger handle.



2. Rotate the trigger handle down to grab the device.

### Installing the Trigger Handle Using the Battery Finger Scoop

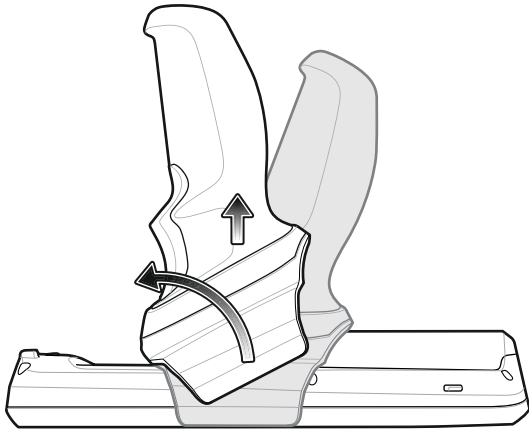
1. Align the battery finger scoop with the recess on the trigger handle.



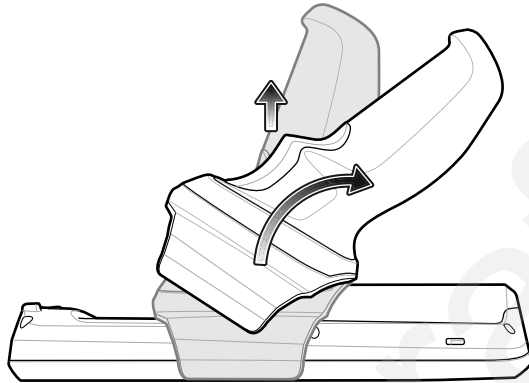
2. Rotate the trigger handle down to grab the device.

## Removing the Trigger Handle

Rotate the trigger handle toward the top of the device and lift up to remove.



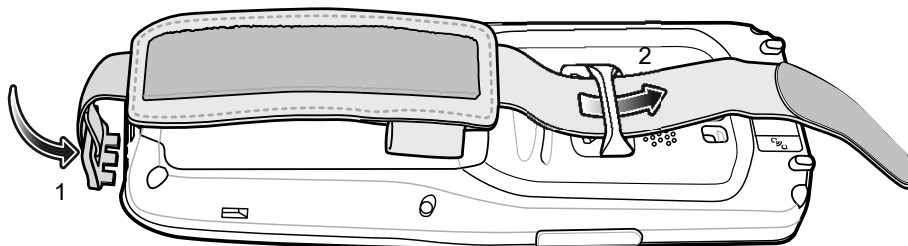
Alternately, rotate the trigger handle toward the bottom of the device and lift up to remove.



## Installing the Hand Strap

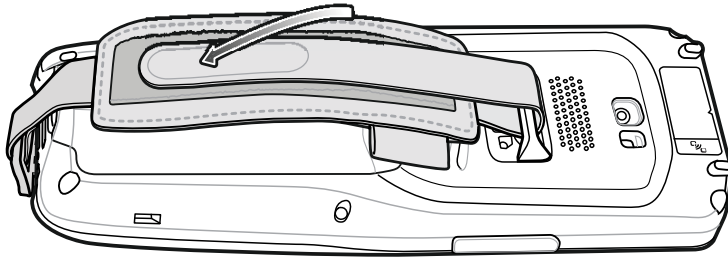
### Installing the Hand Strap on Device

1. Insert the hand strap clip into the hand strap clip slot on the bottom of the device.



2. Feed the top end of the hand strap through the hand strap mount at the top of the device.

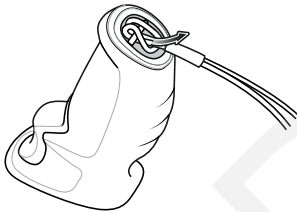
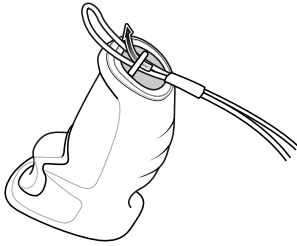
3. Flip the strap over the hand strap mount and attach the end of the strap using the velcro.



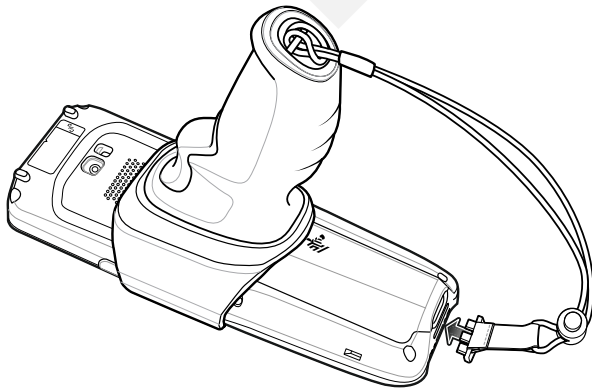
4. Place hand between device and hand strap and adjust hand strap as necessary.

### Installing the Hand Strap on Device with Trigger Handle

1. Loop and tie the tether end of the hand strap with the hand strap mount.



2. Insert the hand strap clip into the bottom of the device.



3. Adjust the slide button according to wrist size and place hand between the hand strap.

## Charging the Device



**CAUTION:** Ensure that you follow the guidelines for battery safety described in the device Product Reference Guide.

Use one of the following accessories to charge the device and/or spare battery.

Table 3 Accessories

Accessory	Part Number	Description
1-Slot Charge/USB Cradle	CRD-MC2X-1SCU-01	Provides device charging and allows USB Type-C communication to one device. Optional power supply WUA5V12W0WW sold separately.
1-Slot Charge/Communication Cradle with Spare Battery Charger	CRD-MC2X-2SUCHG-01	Provides device charging and communication, and charging for spare battery. Requires power supply (PWR-BGA12V50W0WW), DC line cord (CBL-DC-388A1-01), and country-specific AC line cord. To enable Ethernet support requires MOD-MT2-EU1-01 sold separately.
4-Slot Charge Only ShareCradle with 4-Slot Battery Charger	CRD-MC2X-4SC4BC-01	Charges up to four devices and four spare batteries. Requires power supply (PWR-BGA12V108W0WW), DC line cord (CBL-DC-381A1-01), and country-specific AC line cord.
5-Slot Charge Only ShareCradle	CRD-MC2X-5SCHG-01	Charges up to five devices. Requires power supply (PWR-BGA12V108W0WW), DC line cord (CBL-DC-381A1-01), and country-specific AC line cord.
4-Slot Battery Charger	SAC-MC2X-4SCHG-01	Charges up to four spare batteries. Supports standard and extended capacity batteries. Requires power supply (PWR-BGA12V50W0WW), DC line cord (CBL-DC-388A1-01), and country-specific AC line cord.
USB-C Cable	CBL-TC5X-USBC2A-01	Provides UBC-A to USB-C communication and power to the device. Use with 1-Slot Charge/USB Cradle.

## Main Battery Charging

To charge a device:

1. Insert the device into a slot to begin charging.
2. Ensure the device is seated properly.

The device's Charging/Notification LED indicates the status of the battery charging in the device. The standard battery charges from fully depleted to 90% in less than three hours.

**NOTE:** In many cases the 90% charge provides plenty of charge for daily use.

To achieve the best fast charging results use only Zebra charging accessories and batteries. Charge batteries at room temperature with the device in sleep mode.

Table 4 Charging/Notification LED Charging Indicators

State	Indication
Off	Device is not charging. Device is not inserted correctly in the cradle or connected to a power source. Charger/cradle is not powered.
Slow Blinking Amber (1 blink every 4 seconds)	Device is charging.
Slow Blinking Red (1 blink every 4 seconds)	Device is charging but the battery is at end of useful life.
Solid Green	Charging complete.
Solid Red	Charging complete but the battery is at end of useful life.
Fast Blinking Amber (2 blinks/second)	Charging error, for example: <ul style="list-style-type: none"> <li>• Temperature is too low or too high.</li> <li>• Charging has gone on too long without completion (typically eight hours).</li> </ul>
Fast Blinking Red (2 blinks/second)	Charging error but the battery is at end of useful life., for example: <ul style="list-style-type: none"> <li>• Temperature is too low or too high.</li> <li>• Charging has gone on too long without completion (typically eight hours).</li> </ul>

## Spare Battery Charging

To charge a spare battery:

1. Insert the battery into a battery charging well.
2. Gently press down on the battery to ensure proper contact.

The Spare Battery Charging LED on the cup indicates the status of the spare battery charging. The standard battery charges from fully depleted to 90% in less than three hours.



**NOTE:** In many cases the 90% charge provides plenty of charge for daily use.

To achieve the best fast charging results use only Zebra charging accessories and batteries. Charge batteries at room temperature with the device in sleep mode.

Table 5 Spare Battery LED Charging Indicators

LED	Indication
Solid Amber	Spare battery is charging.
Solid Green	Spare battery charging is complete.

Table 5 Spare Battery LED Charging Indicators (continued)

LED	Indication
Solid Red	Spare battery is charging and battery is at the end of useful life. Charging complete and battery is at the end of useful life.
Fast Blinking Red (2 blinks/second)	Error in charging; check placement of spare battery and battery is at the end of useful life.
Off	No spare battery in slot. Spare battery not placed in slot correctly. Cradle is not powered.

## Charging Temperature

Charge batteries in temperatures from 0°C to 40°C (32°F to 104°F). The device or accessory always performs battery charging in a safe and intelligent manner. At higher temperatures (e.g. approximately +37°C (+98°F)) the device or accessory may for brief periods of time alternately enable and disable battery charging to keep the battery at acceptable temperatures. The device or accessory indicates when charging is disabled due to abnormal temperatures via its LED and a notification appears on the display.

## 1-Slot Charge/USB Cradle

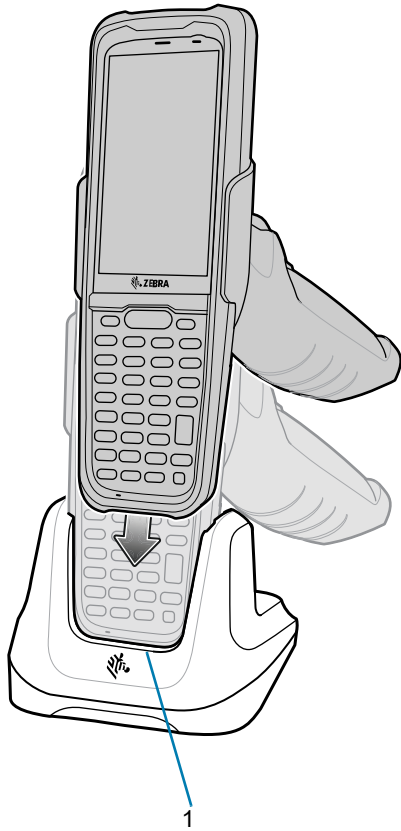


Table 6 1-Slot Charge/USB Cradle Features

Number	Item
1	Charging slot

## 1-Slot Charge/Communication Cradle with Spare Battery Charger

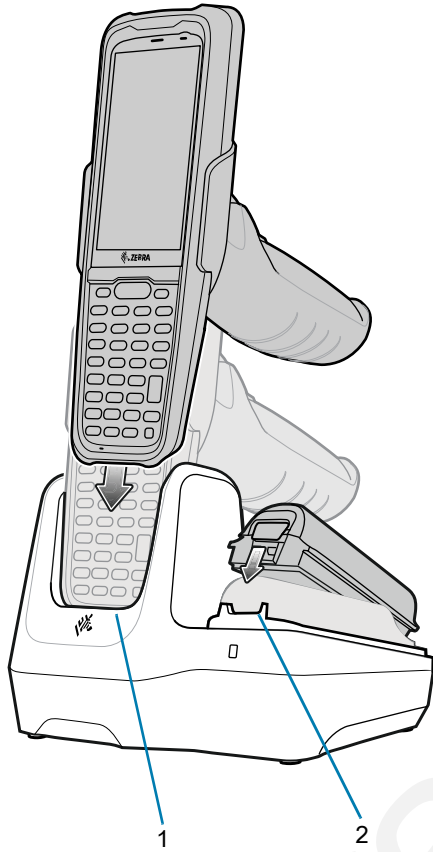


Table 7 1-Slot Charge/Communication Cradle with Spare Battery Charger Features

Number	Item
1	Charge/communication slot
2	Spare battery slot



## 4-Slot Charge Only ShareCradle with 4-Slot Battery Charger

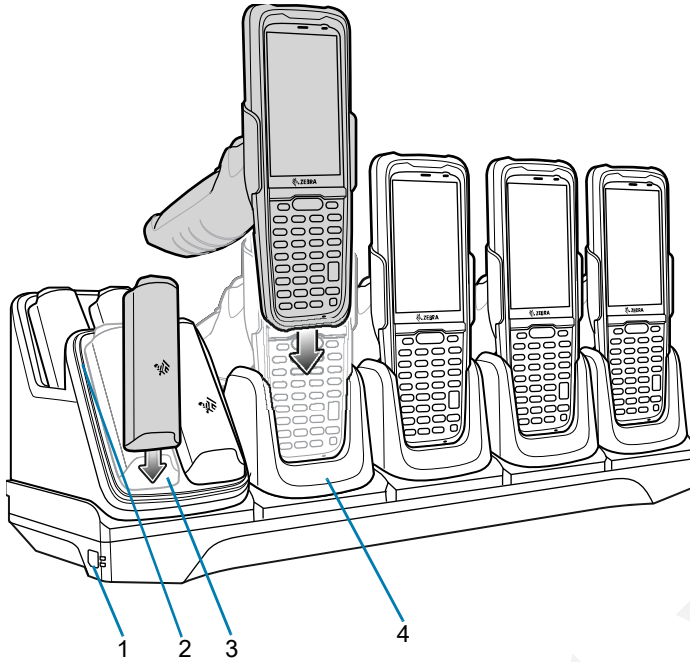


Table 8 4-Slot Charge Only ShareCradle with 4-Slot Battery Charger Features

Number	Item
1	Power LED
2	Spare battery charging LED
3	Spare battery slot
4	Charging slot

## 5-Slot Charge Only ShareCradle

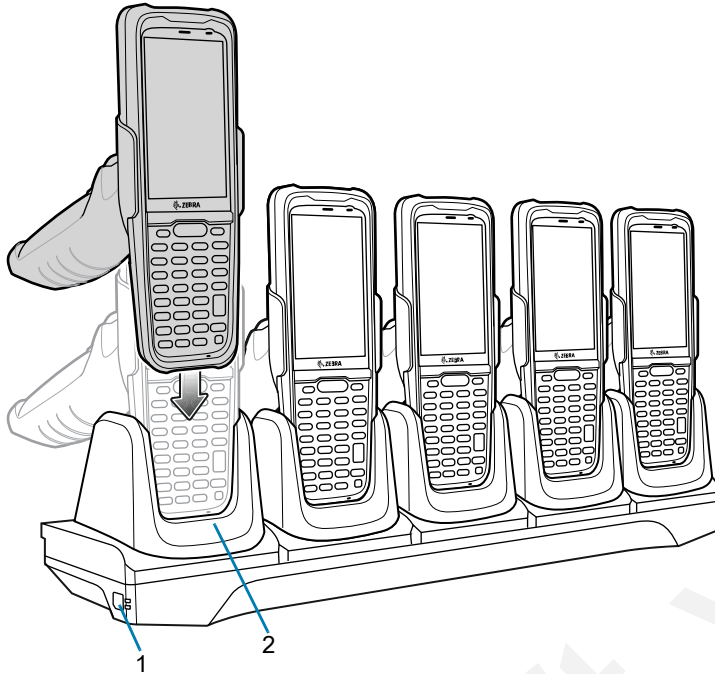


Table 9 5-Slot Charge Only ShareCradle Features

Number	Item
1	Power LED
2	Charging slot

## 4-Slot Battery Charger

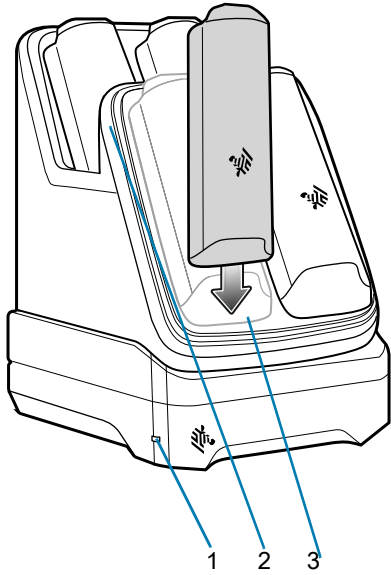


Table 10 4-Slot Battery Charger Features

Number	Item
1	Power LED
2	Battery charging LED
3	Spare battery slot

## USB-C Cable

The USB-C cable plugs into the bottom of the device. When attached to the device the cable allows charging, transferring data to a host computer, and connecting USB peripherals.

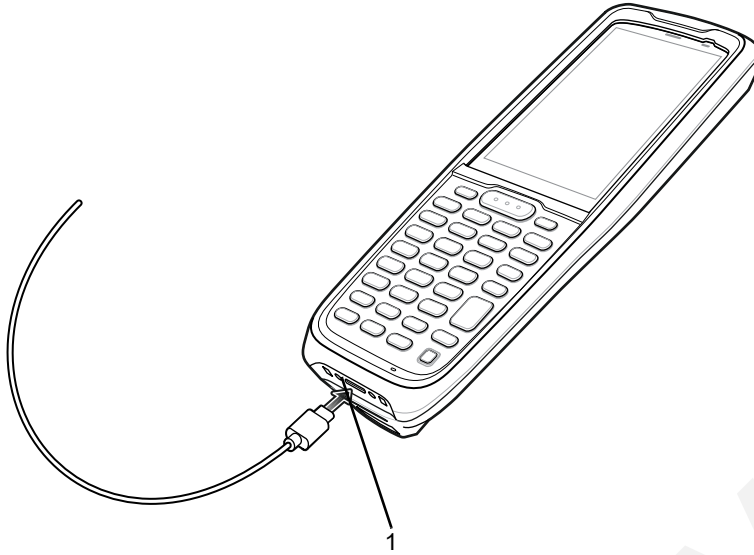


Table 11 USB Cable

Number	Item
1	USB slot

## Scanning

The device offers the following data capture options:

- SE4100

### Scanning with Internal Imager

To read a barcode, a scan-enabled app is required. The device contains the DataWedge app that allows the user to enable the imager, decode the barcode data, and display the barcode content.

To scan with the internal imager:

1. Ensure that an app is open on the device and a text field is in focus (text cursor in text field).
2. Point the exit window on the top of the device at a barcode.
3. Press and hold the scan button.  
The white laser aiming pattern turns on to assist in aiming.



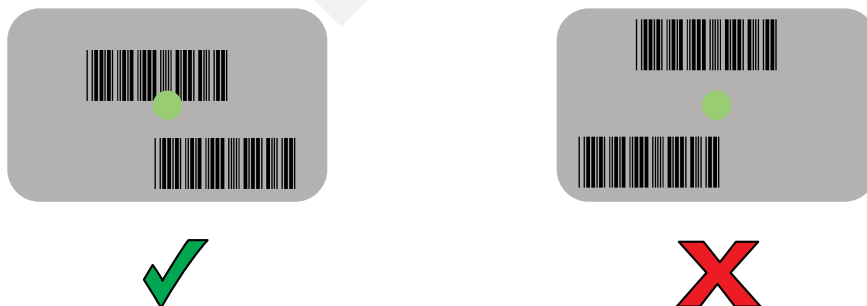
**NOTE:** When the device is in Picklist mode, the imager does not decode the barcode until the crosshair or aiming dot touches the barcode.

4. Ensure the barcode is within the area formed by the crosshairs in the aiming pattern. The aiming dot increases visibility in bright lighting conditions.

Figure 1 Aiming Pattern



Figure 2 Pick List Mode with Multiple Barcodes



5. The Data Capture LED lights green and a beep sounds, by default, to indicate the barcode was decoded successfully.
6. Release the scan button.



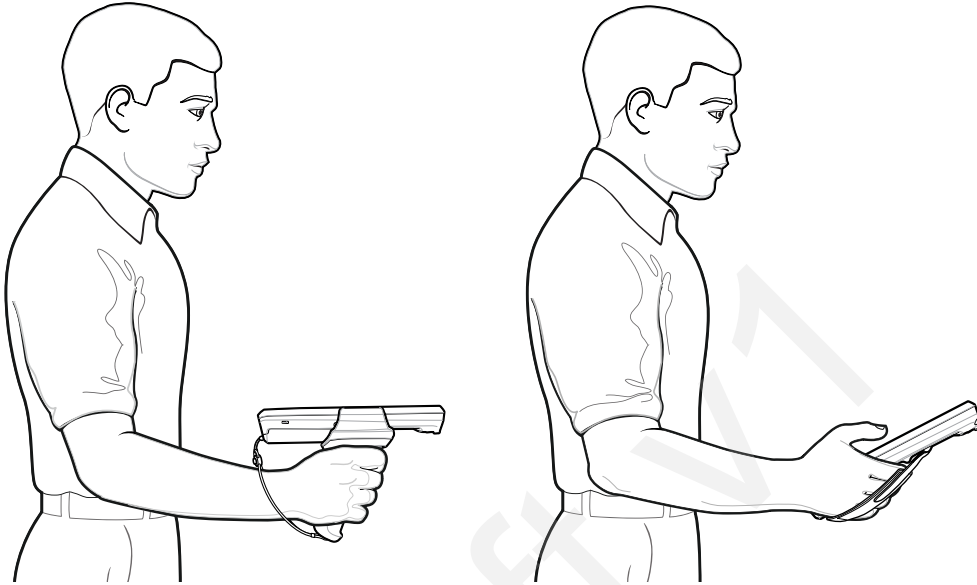
**NOTE:** Imager decoding usually occurs instantaneously. The device repeats the steps required to take a digital picture (image) of a poor or difficult barcode as long as the scan button remains pressed.

7. The barcode content data displays in the text field.

## Ergonomic Considerations

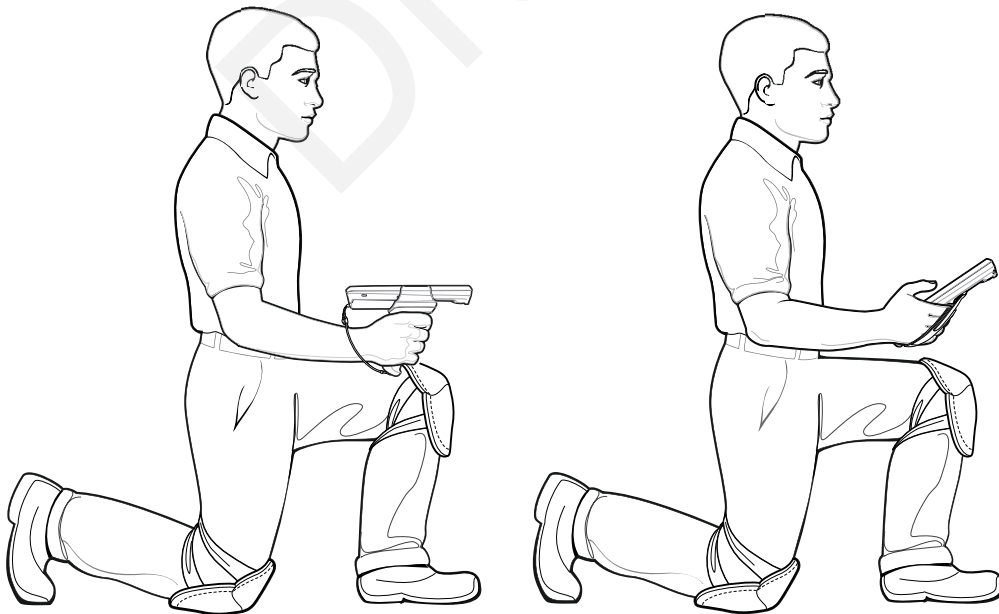
Taking breaks and task rotation is recommended.

### Optimal Posture



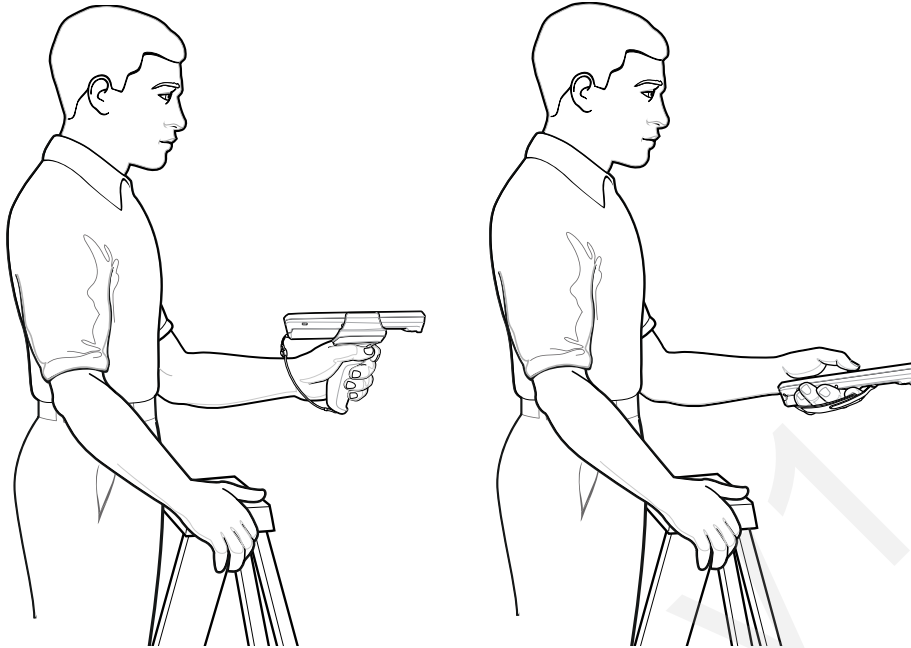
Alternate left and right hand.

### Optimize Body Posture for Low Scanning



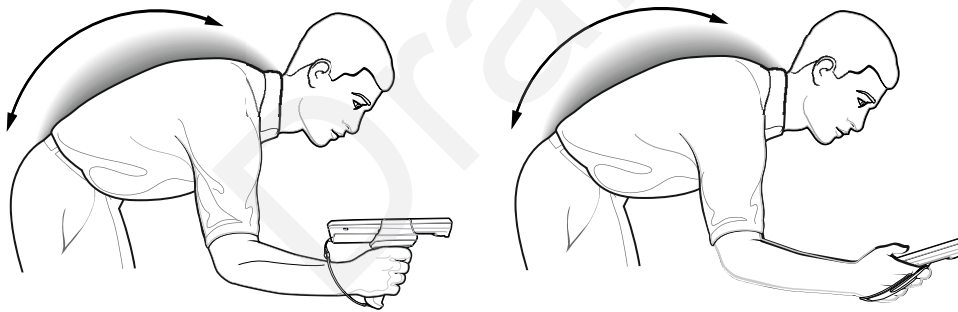
Alternate left and right knees.

## Optimize Body Posture for High Scanning

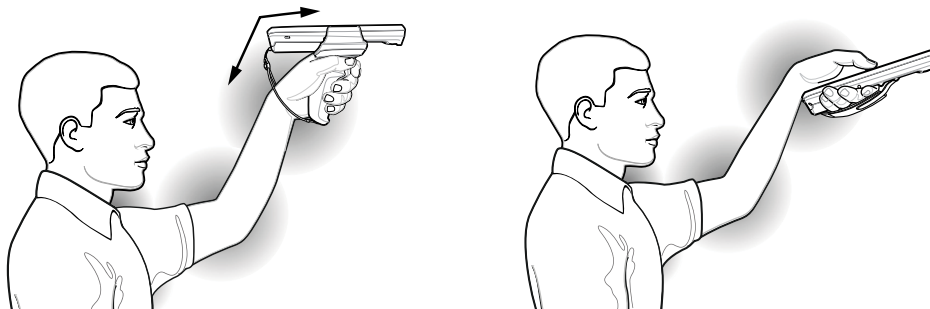


Alternate left and right hand.

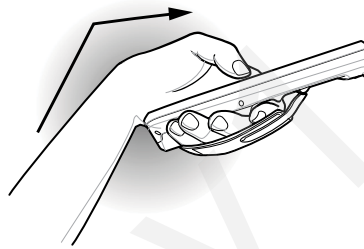
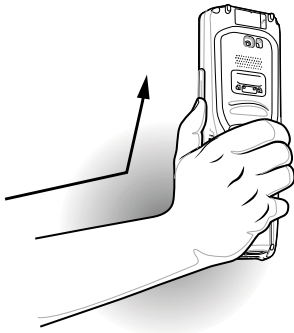
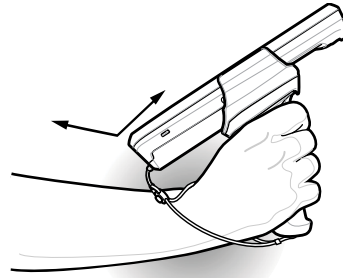
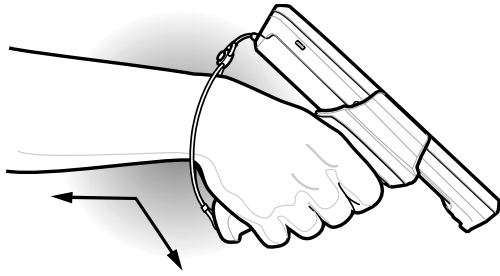
## Avoid Bending



## Avoid Reaching



## Avoid Extreme Wrist Angles



Draft V1



Draft v1

Draft v1