



# FCC Part 96.47 TEST REPORT

FCC ID : UZ7ET45BB  
Equipment : Tablet  
Brand Name : Zebra  
Model Name : ET45BB  
Applicant : Zebra Technologies Corporation  
1 Zebra Plaza, Holtsville, NY 11742  
Manufacturer : Zebra Technologies Corporation  
1 Zebra Plaza, Holtsville, NY 11742  
Standard : FCC Part 96.47  
RF Interface : NR n48

The product was received on Jun. 27, 2022 and testing was performed from Jun. 28, 2022 to Jun. 29, 2022. We, Sporton International (USA) Inc., would like to declare that the tested sample has been evaluated in accordance with the test procedures and has been in compliance with the applicable technical standards.

The test results in this report apply exclusively to the tested model / sample. Without written approval of Sporton International (USA) Inc., the test report shall not be reproduced except in full.

Approved by: Neil Kao

**SPORTON INTERNATIONAL (USA) INC.**  
1175 Montague Expressway, Milpitas, CA 95035



## Table of Contents

**History of this test report.....3**

**Summary of Test Result.....4**

**1 General Description .....5**

    1.1 Product Feature of Equipment Under Test.....5

    1.2 Modification of EUT .....5

    1.3 Testing Laboratory.....6

    1.4 Applicable Standards.....6

**2 Test Configuration of Equipment Under Test .....7**

    2.1 Connection Diagram of Test System.....7

**3 End User Device additional requirement .....8**

    3.1 Test Requirement .....8

    3.2 Test Procedure .....8

    3.3 Test Result.....9

**4 List of Measuring Equipment.....11**

**Appendix A. Test Setup Photo**





### Summary of Test Result

Report Clause	Ref Std. Clause	Test Items	Result (PASS/FAIL)	Remark
3	96.47	End User Device additional requirement	Pass	-

<b>Conformity Assessment Condition:</b> The test results (PASS/FAIL) with all measurement uncertainty excluded are presented in accordance with the regulation limits or requirements declared by manufacturers. It's means measurement values may risk exceeding the limit of regulation standards, if measurement uncertainty is include in test results.
<b>Comments and Explanations:</b> The product specifications of the EUT presented in the report are declared by the manufacturer who shall take full responsibility for the authenticity.



# 1 General Description

## 1.1 Product Feature of Equipment Under Test

Product Feature	
Equipment	Tablet
Brand Name	Zebra
Model Name	ET45BB
FCC ID	UZ7ET45BB
EUT supports Radios application	LTE/5G NR/NFC/GNSS WLAN 11b/g/n HT20 WLAN 11a/n HT20/HT40 WLAN 11ac VHT20/VHT40/VHT80 WLAN 11ax HE20/HE40/HE80 Bluetooth BR/EDR/LE
HW Version	EV2-2
SW Version	ET45USERDEBUG 11 11-10-12.00-RG-U00-PRD-GSE MXJ release-keys
MFD	07MAY22
EUT Stage	Identical Prototype

**Remark:** The above EUT's information was declared by manufacturer. Please refer to Comments and Explanations in report summary.

Specification of Accessories				
Battery	Brand Name	Zebra	Model Name	BT-000456

## 1.2 Modification of EUT

No modifications are made to the EUT during all test items.



### 1.3 Testing Laboratory

Test Site	SPORTON INTERNATIONAL (USA) INC.
Test Site Location	1175 Montague Expressway, Milpitas, CA 95035 TEL: (408) 904-3300
Test Site No.	<b>Sporton Site No.</b>
	TH01-CA
Test Engineer	David Hung
Temperature	26 °C
Relative Humidity	46 %

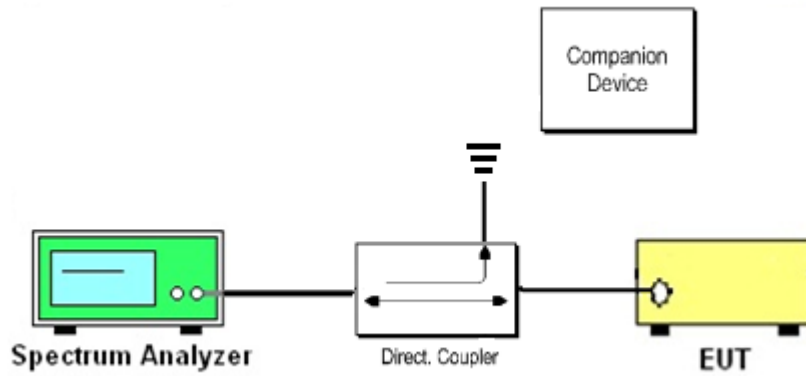
### 1.4 Applicable Standards

- ♦ FCC Part 96.47
- ♦ FCC KDB 940660 D01 Part 96 CBRS Eqpt v03
- ♦ WINNF-TS-0122-V1.0.2 CBRS CBSD Test Specification

**Remark:** All test items were verified and recorded according to the standards and without any deviation during the test.

## 2 Test Configuration of Equipment Under Test

### 2.1 Connection Diagram of Test System



The companion device is certified NR CBSD (FCC ID: PIDAS2900)



### 3 End User Device additional requirement

#### 3.1 Test Requirement

FCC Part 96.47

(a) End User Devices may operate only if they can positively receive and decode an authorization signal transmitted by a CBSD, including the frequencies and power limits for their operation.

(1) An End User Device must discontinue operations, change frequencies, or change its operational power level within 10 seconds of receiving instructions from its associated CBSD.

#### 3.2 Test Procedure

Following procedure can be done by applying WINNF-TS-0122-V1.0.2 CBRS CBSD Test Specification, use the certified Airspan NR CBSD (FCC ID: PIDAS2900) as companion device to show compliance with Part 96.47 requirement for End User Device (EUD):

1. Setup with frequency 3570-3590MHz and power level 34dBm/MHz
2. Enable CBSD service from Airspan ACP management
3. Check EUD Tx Frequency and power
4. Disable CBSD service from Airspan ACP management
  - a. Check EUD stops transmission within 10seconds.
  
5. Setup with frequency 3670-3690MHz and power level 24dBm/MHz
6. Enable CBSD service from Airspan ACP management
7. Check EUD Tx Frequency and power
8. Disable CBSD service from Airspan ACP management
  - a. Check EUD stops transmission within 10seconds.



### 3.3 Test Result

[Step 1] Setup with frequency 3570-3590MHz and power level 34dBm/MHz

[Step 3] Check EUD Tx Frequency and power



20:32:13 28.06.2022

[Step 4.a.] EUD stops transmission within 10 seconds of receiving instructions from its associated CBSD.



20:36:20 28.06.2022

[Step 5] Setup with 3670-3690MHz & power level 24dBm/MHz

[Step 7] Check EUD Tx Frequency and power



20:20:05 28.06.2022

[Step 8.a.] After changing the frequency and power level,

The module (EUT) discontinues operations, change frequencies, or change its operational power level within 10 seconds of receiving instructions from its associated CBSD. Test result is PASS.



20:22:05 28.06.2022



## 4 List of Measuring Equipment

Instrument	Manufacturer	Model No.	Serial No.	Characteristics	Calibration Date	Test Date	Due Date	Remark
Spectrum Analyzer	R&S	FSW43	104042	2Hz~43GHz	Nov. 18, 2021	Jun 28, 2022 ~ Jun 29, 2022	Nov. 17, 2022	TH01-CA