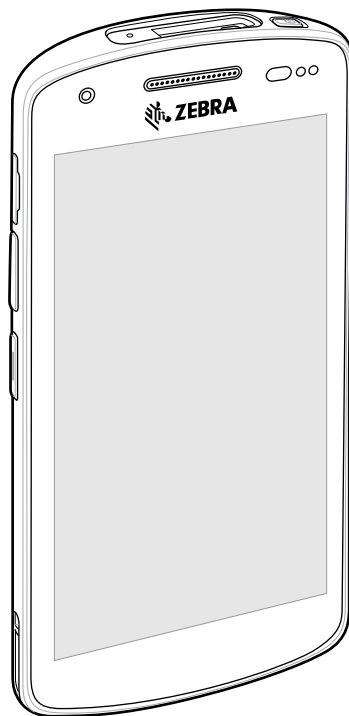


EC50/EC55

Enterprise Computer



Quick Start Guide



ZEBRA

ZEBRA and the stylized Zebra head are trademarks of Zebra Technologies Corporation, registered in many jurisdictions worldwide. All other trademarks are the property of their respective owners.
© 2020 Zebra Technologies Corporation and/or its affiliates. All rights reserved.

Information in this document is subject to change without notice. The software described in this document is furnished under a license agreement or nondisclosure agreement. The software may be used or copied only in accordance with the terms of those agreements.

For further information regarding legal and proprietary statements, please go to:

SOFTWARE: <http://www.zebra.com/linkoslegal>

COPYRIGHTS: <http://www.zebra.com/copyright>

WARRANTY: <http://www.zebra.com/warranty>

END USER LICENSE AGREEMENT: <http://www.zebra.com/eula>

Terms of Use

Proprietary Statement

This manual contains proprietary information of Zebra Technologies Corporation and its subsidiaries ("Zebra Technologies"). It is intended solely for the information and use of parties operating and maintaining the equipment described herein. Such proprietary information may not be used, reproduced, or disclosed to any other parties for any other purpose without the express, written permission of Zebra Technologies.

Product Improvements

Continuous improvement of products is a policy of Zebra Technologies. All specifications and designs are subject to change without notice.

Liability Disclaimer

Zebra Technologies takes steps to ensure that its published Engineering specifications and manuals are correct; however, errors do occur. Zebra Technologies reserves the right to correct any such errors and disclaims liability resulting therefrom.

Limitation of Liability

In no event shall Zebra Technologies or anyone else involved in the creation, production, or delivery of the accompanying product (including hardware and software) be liable for any damages whatsoever (including, without limitation, consequential damages including loss of business profits, business interruption, or loss of business information) arising out of the use of, the results of use of, or inability to use such product, even if Zebra Technologies has been advised of the possibility of such damages. Some jurisdictions do not allow the exclusion or limitation of incidental or consequential damages, so the above limitation or exclusion may not apply to you.

Publication Date

August 7, 2020

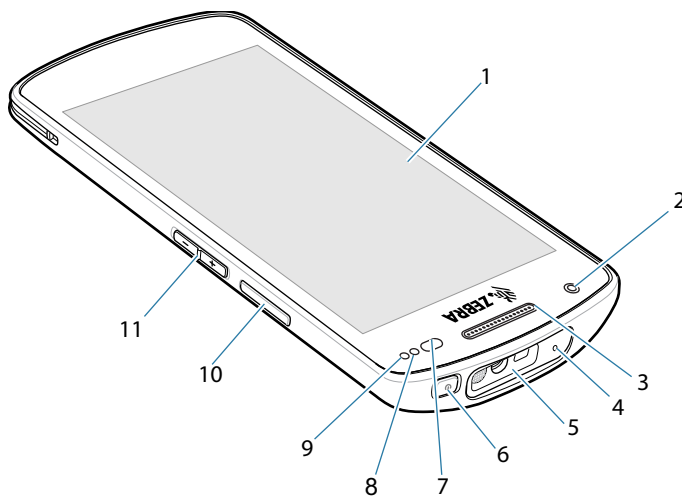
Unpacking

To unpack the device:

1. Carefully remove all protective material from the device and save the shipping container for later storage and shipping.
2. Verify that the following items were received:
 - Touch computer
 - Regulatory Guide.
3. Inspect the equipment for damage. If any equipment is missing or damaged, contact Customer Support center immediately. See [Service Information](#).
4. Prior to using the device for the first time, remove the protective shipping film that covers the exit window, touch screen, and rear camera.

Device Features

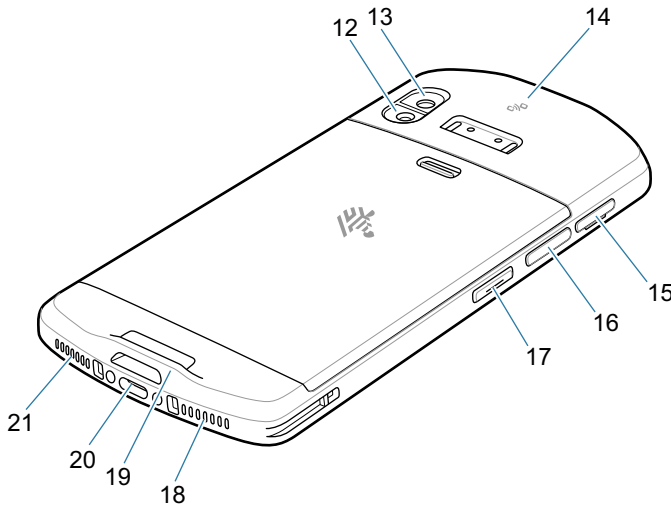
Figure 1 Front View



Item	Name	Description
1	Touch Screen	Displays all information needed to operate the device.
2	Front Camera	Takes photos and videos (available on some models).
3	Receiver	Use for audio playback in Handset mode.
4	Microphone	Use for communications in Speakerphone mode.
5	Exit Window	Provides data capture using the imager.
6	Power Button	Turns the display on and off. Press and hold to reset the device or power off.
7	Proximity/Light Sensor	Determines proximity for turning off display when in Handset mode. Determines ambient light for controlling display backlight intensity.
8	Data Capture LED	Indicates data capture status.

Item	Name	Description
9	Charging/Notification LED	Indicates battery charging status while charging and application generated notifications.
10	Scan Button	Initiates data capture (programmable).
11	Volume Up/Down Button	Increase and decrease audio volume (programmable).

Figure 2 Rear View



Item	Name	Description
12	Camera Flash	Provides illumination for the camera.
13	Rear Camera	Takes photos and videos.
14	NFC Antenna	Provides communication with other NFC-enabled devices.
15	SIM/SD Card Drawer	Provides access to SD card and SIM card.
16	Scan Button	Initiates data capture (programmable).
17	PTT Button	Initiates push-to-talk communications (programmable).
18	Microphone	Use for communications in Handset mode.
19	Hand Strap Mount	Provides mounting point for Hand Strap accessory.
20	USB-C Connector	Provides USB host and client communications, and device charging via cables and accessories.
21	Speaker	Provides audio output for video and music playback. Provides audio in speakerphone mode.

Setting Up the Device

To start using the device for the first time:

1. Install a micro secure digital (SD) card (optional).
2. Installing a nano SIM card (optional)
3. Charge the device.
4. Power on the device.

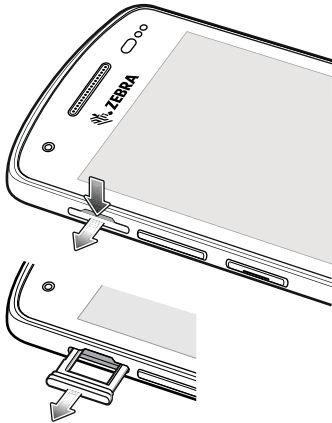
Installing or Replacing a microSD Card

The microSD card slot provides secondary non-volatile storage. For more information, refer to the documentation provided with the card and follow the manufacturer's recommendations for use.

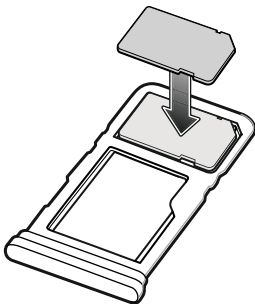


CAUTION: Follow proper electrostatic discharge (ESD) precautions to avoid damaging the microSD card. Proper ESD precautions include, but are not limited to, working on an ESD mat and ensuring that the operator is properly grounded.

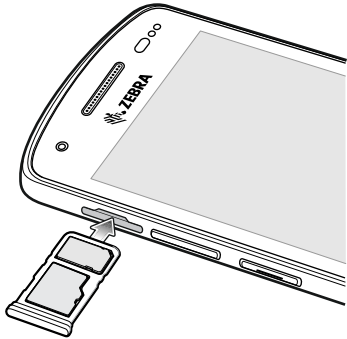
1. Pull out the microSD/SIM card access drawer.



2. Insert the microSD card into the access drawer.



3. Insert the microSD/SIM card access drawer into the device.



Installing or Replacing the SIM Card

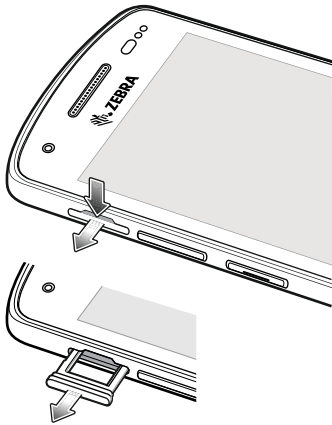


NOTE: Only use a nano SIM card. Not applicable to EC50.

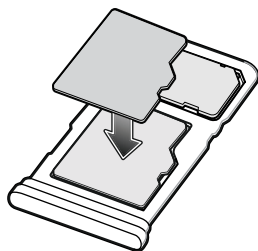


CAUTION: For proper electrostatic discharge (ESD) precautions to avoid damaging the SIM card. Proper ESD precautions include, but not limited to, working on an ESD mat and ensuring that the user is properly grounded.

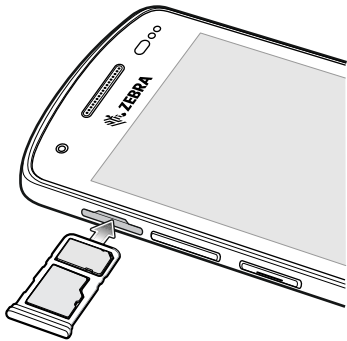
1. Pull out the microSD/SIM card access drawer.



2. Insert the SIM card into the access drawer.



3. Insert the microSD/SIM card access drawer into the device.



Device Charging

Before using the device for the first time, charge the device until the green Charging/Notification light emitting diode (LED) remains lit. To charge the device use a cable or a cradle with the appropriate power supply.

The device’s Charging/Notification LED indicates the status of the device charging. See [Table 1 on page 14](#) for device charging status. The device charges from fully depleted to 90% in approximately three hours.



NOTE: In many cases the 90% charge provides plenty of charge for daily use.

To achieve the best fast charging results use only Zebra charging accessories. Charge the device at room temperature.

Charging Indicators

Table 1 Charging/Notification LED Charging Indicators

State	Indication
Off	Device is not charging. Device is not inserted correctly in the cradle or connected to a power source. Charger/cradle is not powered.
Slow Blinking Amber (1 blink every 4 seconds)	Device is charging.
Slow Blinking Red (1 blink every 4 seconds)	Device is charging but the battery is at end of useful life.
Solid Green	Charging complete.

Table 1 Charging/Notification LED Charging Indicators (Continued)

State	Indication
Solid Red	Charging complete but the battery is at end of useful life.
Fast Blinking Amber (2 blinks/second)	Charging error, for example: <ul style="list-style-type: none"> • Temperature is too low or too high. • Charging has gone on too long without completion (typically 8 hours).
Fast Blinking Red (2 blinks/second)	Charging error but the battery is at end of useful life., for example: <ul style="list-style-type: none"> • Temperature is too low or too high. • Charging has gone on too long without completion (typically 8 hours).

Charging Temperature

Charge batteries in temperatures from 5°C to 40°C (41°F to 104°F). The device or cradle always performs battery charging in a safe and intelligent manner. At higher temperatures (for example: approximately +37°C (+98°F)) the device or cradle may for small periods of time alternately enable and disable battery charging to keep the battery at acceptable temperatures. The device and cradle indicates when charging is disabled due to abnormal temperatures via its LED.

Charging the Device

Charge a device using a charging cradle or a charging cable. For information about the accessories available for the device, see [Accessories](#).

To charge a device using a charging cradle:

1. Insert the device into a charging slot.
2. Ensure the device is seated properly.

Accessories



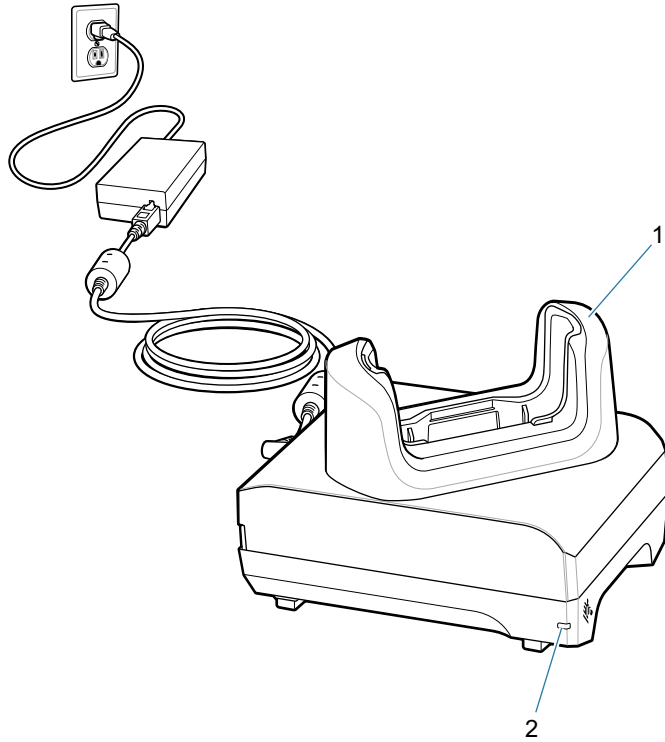
CAUTION: Ensure that you follow the guidelines for battery safety described in the device Product Reference Guide.

Use one of the following accessories to charge the device.

Table 2 Accessories

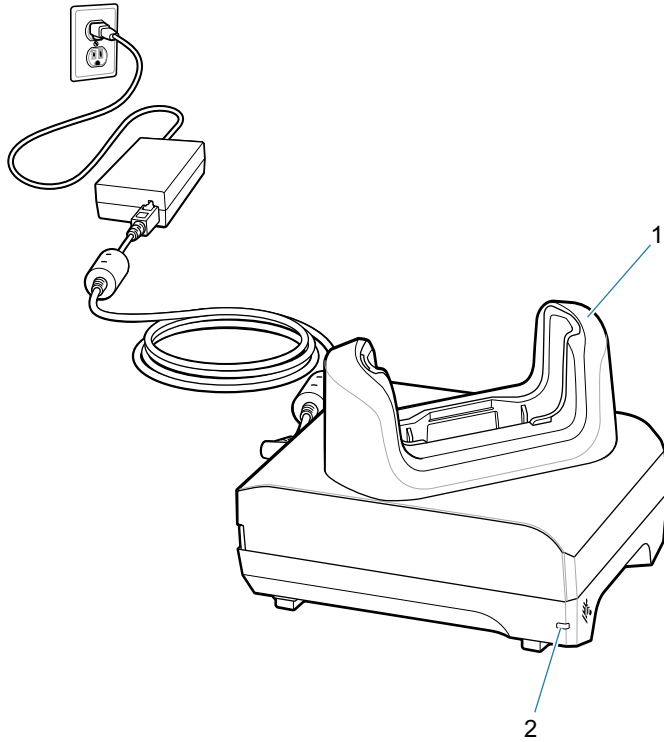
Accessory	Part Number	Description
1-Slot Charge Only Cradle		Provides device charging only. Requires USB-C cable (CBL-TC5X-USBC2A-01) and power supply (PWR-WUA5V12W0xx).
1-Slot USB/Ethernet Cradle		Provides device charging and communication, and charging for Extended Power Pack. Requires power supply (PWR-BGA12V50W0WW) and DC line cord (CBL-DC-388A1-01).
4-Slot Charge Only Cradle		Charges up to four devices and four spare batteries. Requires power supply (PWR-BGA12V108W0WW), DC line cord (CBL-DC-381A1-01), and country-specific AC line cord.
4-Slot Charge Only Locking Cradle		Charges up to five devices. Charges up to four devices and four spare batteries. Requires power supply (PWR-BGA12V108W0WW), DC line cord (CBL-DC-381A1-01), and country-specific AC line cord.
1-Slot Workstation Cradle		Provides device charging and provides Ethernet communication for up to five devices. Requires power supply (PWR-BGA12V108W0WW), DC line cord (CBL-DC-381A1-01), and country-specific AC line cord.
USB-C Communication and Charge Cable	CBL-TC5X-USBC2A-01	Provides UBC-A to USB-C communication and power to the device.

1-Slot Charge Only Cradle



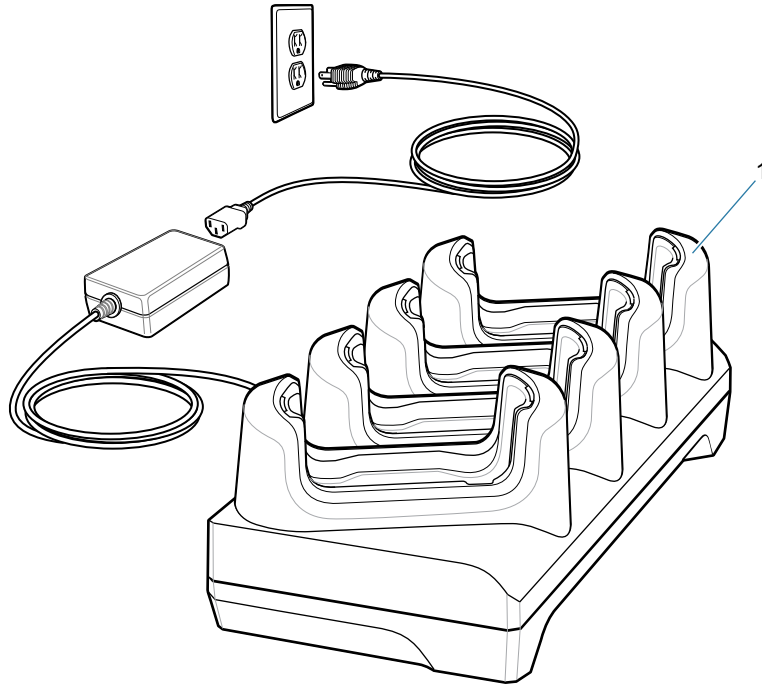
Item	Name	Description
1	Charging Slot	Holds the device during charging.
2	Power LED	Indicates that power is applied to the cradle.

1-Slot USB/Ethernet Cradle



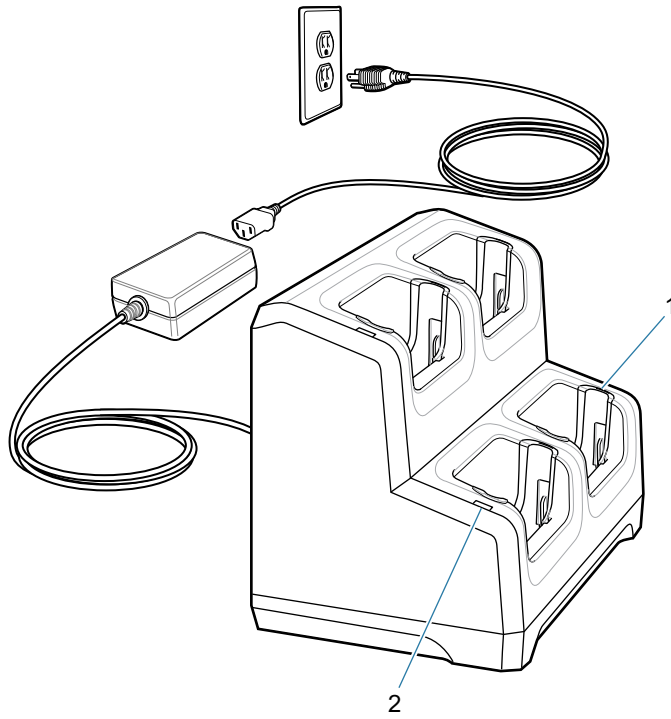
Item	Name	Description
1	Charging Slot	Holds the device during charging.
2	Power LED	Indicates that power is applied to the cradle.

4-Slot Charge Only Cradle



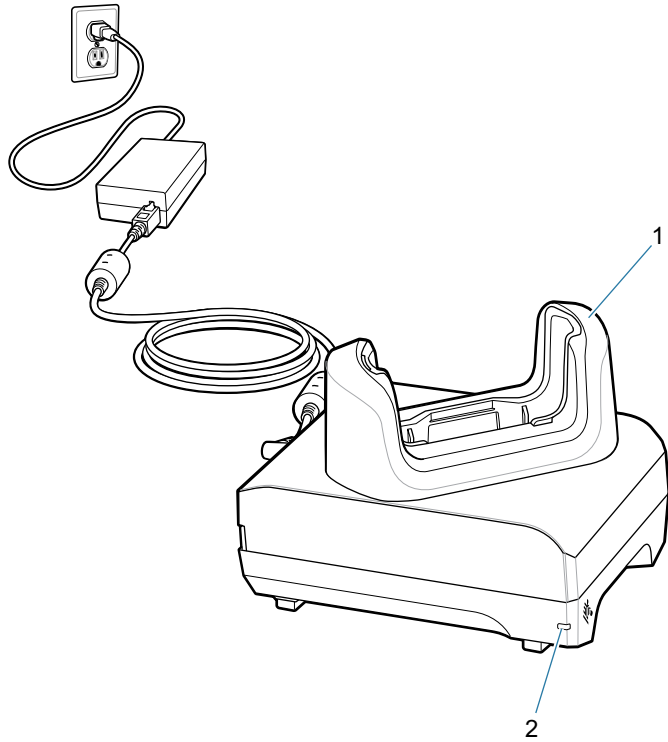
Item	Name	Description
1	Charging Slot	Holds the device during charging.

4-Slot Charge Only Locking Cradle



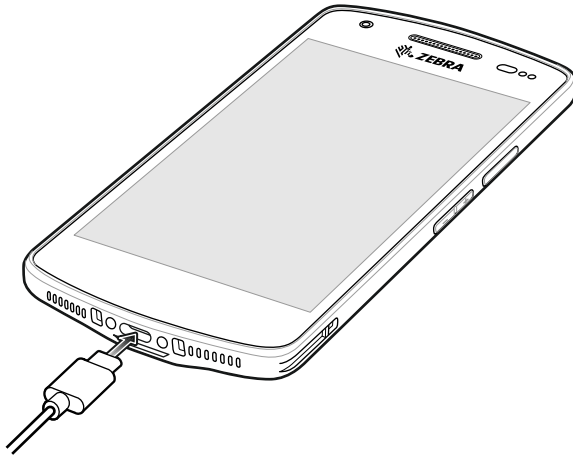
Item	Name	Description
1	Indicator LED Insert	Indicates the cradle slot locking status using RGB LEDs.
2	Power LED	Indicates that power is applied to the cradle slot.

1-Slot Workstation Cradle



Item	Name	Description
1	Charging Slot	Holds the device during charging.
2	Power LED	Indicates that power is applied to the cradle.

USB-C Communication and Charge Cable

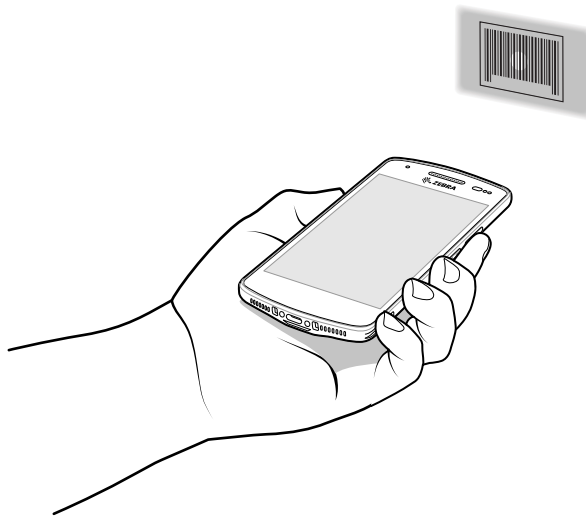


Scanning with Internal Imager

To read a barcode, a scan-enabled app is required. The device contains the DataWedge app that allows the user to enable the imager, decode the barcode data, and display the barcode content.

To scan with the internal imager:

1. Ensure that an app is open on the device and a text field is in focus (text cursor in text field).
2. Point the exit window on the top of the device at a barcode.



3. Press and hold the scan button.
The red laser aiming pattern turns on to assist in aiming.



NOTE: When the device is in Picklist mode, the imager does not decode the barcode until the crosshair or aiming dot touches the barcode.

4. Ensure the barcode is within the area formed by the crosshairs in the aiming pattern. The aiming dot increases visibility in bright lighting conditions.

Figure 3 Aiming Pattern

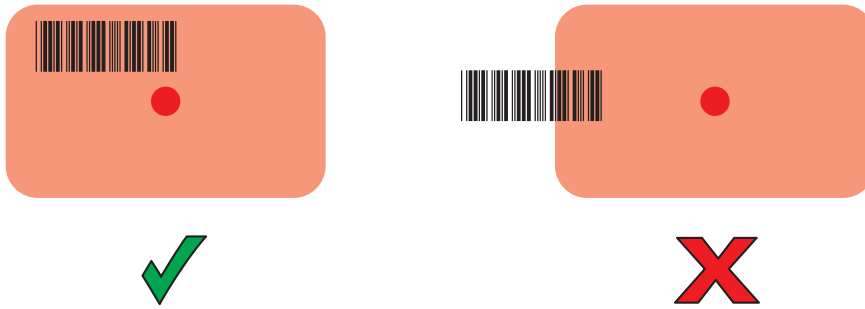
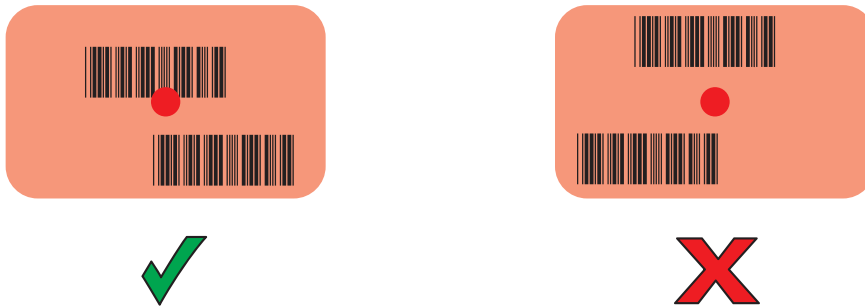


Figure 4 Pick List Mode with Multiple Barcodes



5. The Data Capture LED lights green and a beep sounds, by default, to indicate the barcode was decoded successfully.
6. Release the scan button.



NOTE: Imager decoding usually occurs instantaneously. The device repeats the steps required to take a digital picture (image) of a poor or difficult barcode as long as the scan button remains pressed.

7. The barcode content data displays in the text field.

Ergonomic Considerations



CAUTION: Avoid extreme wrist angles.

