

# Cedar 3I ( AP-8533-68SB30-US )

ZEBRA TECHNOLOGIES CORPORATION  
HOLTSVILLE NY 11742  
802.11AC MU-MIMO, TRI RADIO, INT ANT, 2XGE - US

MODEL: AP-8533I  
CONTAINS APPROVED RADIO  
MODULE : CDR2G,CDR5G AND CDRDB

P/N : AP-8533-68SB30-US

  
S/N: XXXXXXXXXXXXXXXX  
  
MAC: XXXXXXXXXXXXXXXX  
  
IP Address: 169.254.xxx.xxx  


A  


MFG DATE: DDMMYY  
  
MADE IN CHINA  


INPUT RATING:  
48VDC  0.55A

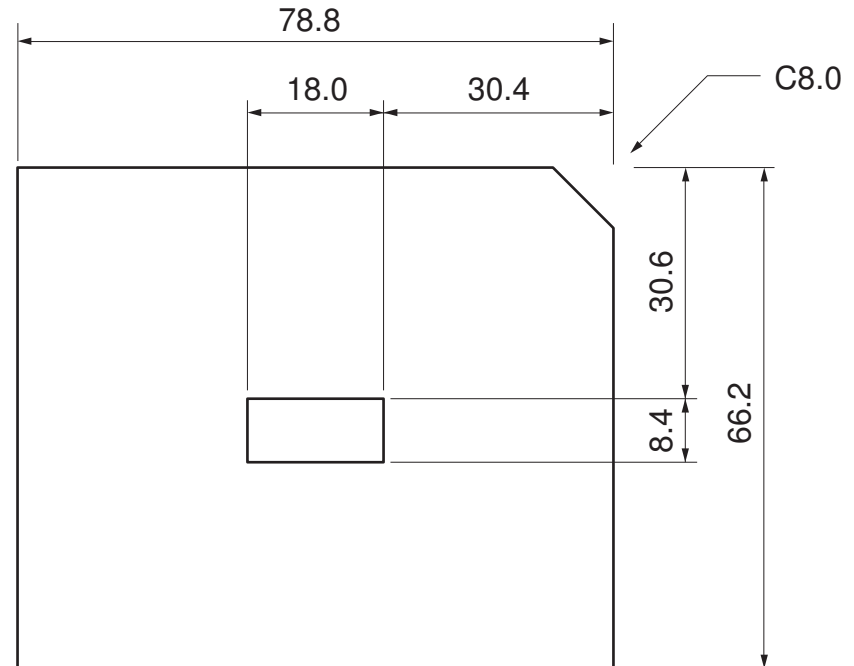
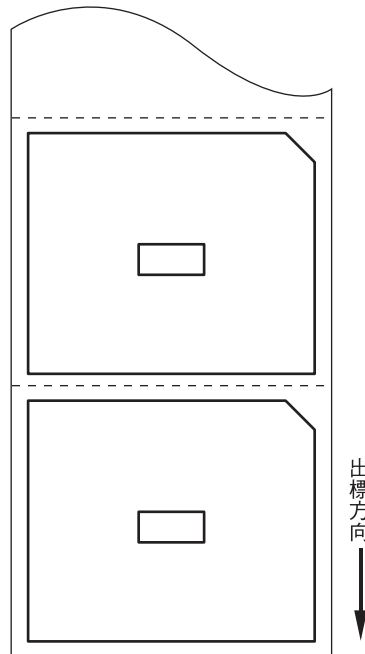
FCC ID : UZ7AP8533I  
Contains FCC ID: UZ7CDR2G  
Contains FCC ID: UZ7CDR5G  
Contains FCC ID: UZ7CDRDB



This device complies with Part 15 of the FCC Rules. Operation is subject to the following two conditions: (1) This device may not cause harmful interference, and (2) this device must accept any interference received, including interference that may cause undesired operation.


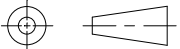
PART NUMBER BLOCK	
PART NUMBER	REV
4L-RAABZ13-001	A

REVISIONS			
REV	DESCRIPTION	DATE	APPROVED
A	RELEASE OF FILE		SANDY CHEN



**NOTES:**

- MATERIAL: WHITE PET, t=0.05  
ADHESIVE: 壓克力背膠, t=0.024  
FINISH: 上霧PET, t=0.025
- COLOR:
  - 底色為白色
  - 印刷黑色
- 捲狀出貨
- 離型紙左右間距各3±0.5mm, 齒刀上下間距各1.5±0.5mm
- 被貼物:金屬件粉體烤漆

		UNLESS OTHERWISE SPECIFIED ALL DIMENSIONS ARE IN mm AND TOLERANCES ARE:				 <b>啟碁科技股份有限公司</b> 20 Park Avenue II, Hsinchu Science Park, Hsinchu 308, Taiwan, R.O.C. Tel: 886-3-6667799 Fax: 886-3-5788726			
		INTEGRAL DIMENSIONS ±0.2 1 PLACE DECIMAL ±0.2		ANGULAR DIMENSIONS ±2° HOLES UNDER Ø5.00 ±0.2					
		MATERIAL: SEE NOTES				DWG TITLE			
		FINISH: SEE NOTES				LABEL, ZEBRA, RAAB-Z1			
		THIRD ANGLE PROJECTION		DRAWN	CIHYI CHIU	05/15/15	SIZE	DWG NO.	REV
NEXT ASSY		USED ON		ENGR	CIHYI CHIU	05/15/15	A4	4L-RAABZ13-001	A
APPLICATION				APVD	SANDY CHEN	05/15/15	SCALE	1/1	SHEET 1 OF 1

<BOTTOM>

