

Cedar 3E (AP-8533-68SB40-US)

ZEBRA TECHNOLOGIES CORPORATION
HOLTSVILLE NY 11742
802.11AC MU-MIMO, TRI RADIO, EXT ANT, 2XGE - US

MODEL: AP-8533
CONTAINS APPROVED RADIO
MODULE : CDR2G, CDR5G AND CDRDB

P/N : AP-8533-68SB40-US


S/N: XXXXXXXXXXXXXXXX

MAC: XXXXXXXXXXXXXXXX

IP Address: 169.254.xxx.xxx


A


MFG DATE: DDMMYY

MADE IN CHINA


INPUT RATING:
48VDC  0.55A

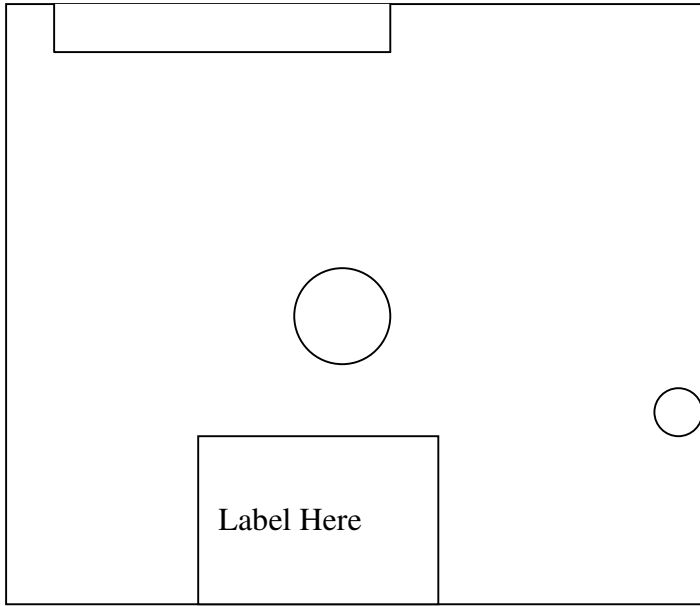
FCC ID : UZ7AP8533

Contains FCC ID: UZ7CDR2G
Contains FCC ID: UZ7CDR5G
Contains FCC ID: UZ7CDRDB



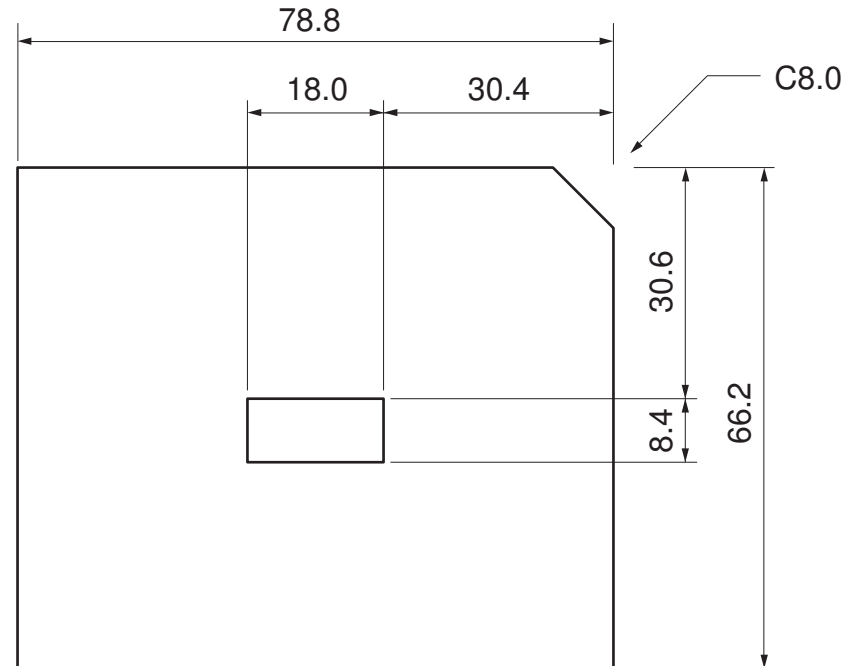
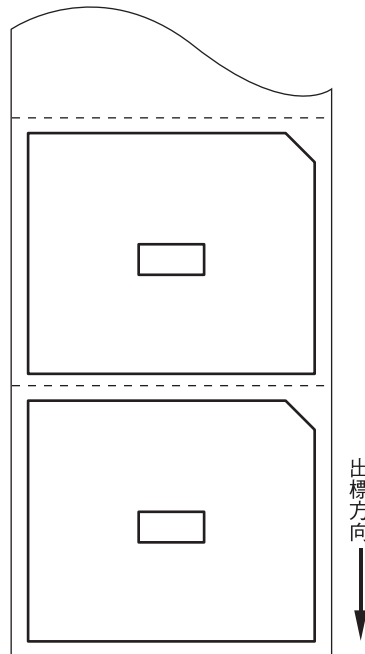
This device complies with Part 15 of the FCC Rules. Operation is subject to the following two conditions: (1) This device may not cause harmful interference, and (2) this device must accept any interference received, including interference that may cause undesired operation.

<BOTTOM>



PART NUMBER BLOCK	
PART NUMBER	REV
4L-RAABZ13-001	A

REVISIONS			
REV	DESCRIPTION	DATE	APPROVED
A	RELEASE OF FILE		SANDY CHEN



NOTES:

- MATERIAL: WHITE PET, t=0.05
ADHESIVE: 壓克力背膠, t=0.024
FINISH: 上霧PET, t=0.025
- COLOR:
 - 底色為白色
 - 印刷黑色
- 捲狀出貨
- 離型紙左右間距各3±0.5mm, 齒刀上下間距各1.5±0.5mm
- 被貼物:金屬件粉體烤漆

		UNLESS OTHERWISE SPECIFIED ALL DIMENSIONS ARE IN mm AND TOLERANCES ARE:				啟碁科技股份有限公司 20 Park Avenue II, Hsinchu Science Park, Hsinchu 308, Taiwan, R.O.C. Tel: 886-3-6667799 Fax: 886-3-5788726	
		INTEGRAL DIMENSIONS ±0.2 1 PLACE DECIMAL ±0.2		ANGULAR DIMENSIONS ±2° HOLES UNDER Ø5.00 ±0.2			
		MATERIAL: SEE NOTES				DWG TITLE	
		FINISH: SEE NOTES				LABEL, ZEBRA, RAAB-Z1	
		THIRD ANGLE PROJECTION		DRAWN	CIHYI CHIU	05/15/15	SIZE A4 DWG NO. 4L-RAABZ13-001 REV A
NEXT ASSY		USED ON		ENGR	CIHYI CHIU	05/15/15	
APPLICATION				APVD	SANDY CHEN	05/15/15	
				SCALE	1/1	SHEET	1 OF 1