

Cypress (AP-8432-680B30-US)

ZEBRA TECHNOLOGIES CORPORATION
HOLTSVILLE NY 11742
802.11AC MU-MIMO, DUAL RADIO, INT ANT, 2XGE - US

MODEL: AP-8432I
CONTAINS APPROVED RADIO
MODULE : CDR5G AND CDRDB

P/N: AP-8432-680B30-US



S/N: XXXXXXXXXXXXXXXX



MAC: XXXXXXXXXXXXXXXX



IP Address: 169.254.xxx.xxx



01



MFG DATE: DDMMYY



MADE IN CHINA



INPUT RATING:

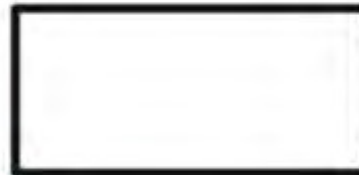
48VDC  0.55A

FCC ID : UZ7AP8432I

Contains FCC ID: UZ7CDR5G

Contains FCC ID: UZ7CDRDB

DVT engineering sample-Not for resale



E252240



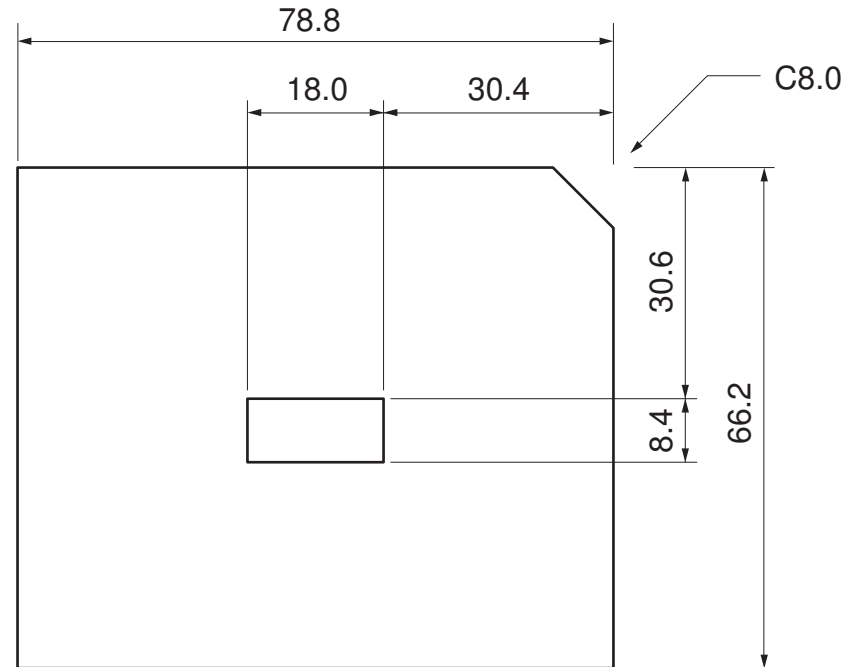
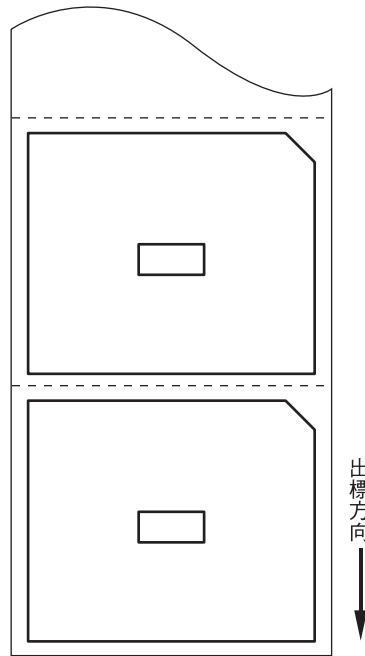
I.T.E



This device complies with Part 15 of the FCC Rules. Operation is subject to the following two conditions: (1) This device may not cause harmful interference, and (2) this device must accept any interference received, including interference that may cause undesired operation.


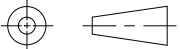
PART NUMBER BLOCK	
PART NUMBER	REV
4L-RAABZ13-001	A

REVISIONS			
REV	DESCRIPTION	DATE	APPROVED
A	RELEASE OF FILE		SANDY CHEN



NOTES:

- MATERIAL: WHITE PET, t=0.05
ADHESIVE: 壓克力背膠, t=0.024
FINISH: 上霧PET, t=0.025
- COLOR:
 - 底色為白色
 - 印刷黑色
- 捲狀出貨
- 離型紙左右間距各3±0.5mm, 齒刀上下間距各1.5±0.5mm
- 被貼物:金屬件粉體烤漆

		UNLESS OTHERWISE SPECIFIED ALL DIMENSIONS ARE IN mm AND TOLERANCES ARE:				 啟碁科技股份有限公司 20 Park Avenue II, Hsinchu Science Park, Hsinchu 308, Taiwan, R.O.C. Tel: 886-3-6667799 Fax: 886-3-5788726	
		INTEGRAL DIMENSIONS ±0.2 1 PLACE DECIMAL ±0.2	ANGULAR DIMENSIONS ±2° HOLES UNDER Ø5.00 ±0.2				
		MATERIAL: SEE NOTES				DWG TITLE	
		FINISH: SEE NOTES				LABEL, ZEBRA, RAAB-Z1	
		THIRD ANGLE PROJECTION	DRAWN	CIHYI CHIU	05/15/15	SIZE	DWG NO.
NEXT ASSY	USED ON		ENGR	CIHYI CHIU	05/15/15	A4	4L-RAABZ13-001
APPLICATION			APVD	SANDY CHEN	05/15/15		
		SCALE		1/1		SHEET 1 OF 1	

<Bottom>

