



SPORTON International Inc.

No. 52, Hwa Ya 1st Rd., Hwa Ya Technology Park, Kwei-Shan Hsiang, Tao Yuan Hsien, Taiwan, R.O.C.
Ph: 886-3-327-3456 / FAX: 886-3-327-0973 / www.sporton.com.tw

FCC Dynamic Frequency Selection Test Report

Applicant's company	Motorola Solutions, Inc.
Applicant Address	One Motorola Plaza Holtsville, NY 11742 USA
FCC ID	UZ7AP7522
Manufacturer's company	Wistron NeWeb Corporation
Manufacturer Address	20 Park Avenue II, Hsinchu Science Park, Hsinchu 308, Taiwan, R.O.C.

Product Name	Oak External
Brand Name	MOTOROLA
Model No.	AP-7522
Test Rule Part(s)	47 CFR FCC Part 15 Subpart E § 15.407
Test Freq. Range	5250~5350 / 5470~5725 MHz
Received Date	Apr. 15, 2014
Final Test Date	Jun. 27, 2014
Submission Type	Class II Change
Operating Mode	Slave without radar detection function

Statement

The test result in this report refers exclusively to the presented test model / sample.

Without written approval of SPORTON International Inc., the test report shall not be reproduced except in full.

The measurements and test results shown in this test report were made in accordance with the procedures and found in compliance with the limit given in **FCC OET Order 06-96A (2006)**,

47 CFR FCC Part 15 Subpart E and **KDB789033 D02 v01**.

The test equipment used to perform the test is calibrated and traceable to NML/ROC.



Table of Contents

1. CERTIFICATE OF COMPLIANCE	1
2. SUMMARY OF THE TEST RESULT	2
3. GENERAL INFORMATION	3
3.1. Standard Requirement	3
3.2. Product Specification Table.....	3
3.3. Accessories.....	15
3.4. Table for DFS Band Carrier Frequencies	16
3.5. Antenna Information on DFS Band.....	17
3.6. Testing Location Information.....	19
3.7. Table for Class II Change	19
4. DFS DETECTION THRESHOLDS AND RADAR TEST WAVEFORMS	20
4.1. Interference Threshold values, Master or Client incorporating In-Service Monitoring	20
4.2. DFS Response requirement values.....	21
4.3. Radar Test Waveforms Minimum Step.....	21
4.4. Short Pulse Radar Test Waveforms	22
4.5. Long Pulse Radar Test Waveform.....	23
4.6. Frequency Hopping Radar Test Waveform.....	26
4.7. Radiated Calibration Setup.....	28
4.8. Radar Waveform Calibration Procedure	28
4.9. Calibration Deviation.....	28
4.10. Radar Waveform Calibration Result	29
5. TEST SETUP AND TEST RESULT.....	31
5.1. Test setup	31
5.2. In-Service Monitoring for Channel Move Time, Channel Closing Transmission Time and Non-Occupancy Period Measurement...39	39
6. LIST OF MEASURING EQUIPMENTS	52
7. MEASUREMENT UNCERTAINTY.....	53
APPENDIX A. TEST PHOTOS	A1 ~ A2



History of This Test Report

REPORT NO.	VERSION	DESCRIPTION	ISSUED DATE
FZ441804-08	Rev. 01	Initial issue of report	Oct. 14, 2014



1. CERTIFICATE OF COMPLIANCE

Product Name : Oak External
Brand Name : MOTOROLA
Model No. : AP-7522
Applicant : Motorola Solutions, Inc.
Test Rule Part(s) : 47 CFR FCC Part 15 Subpart E § 15.407

Sporton International as requested by the applicant to evaluate the EMC performance of the product sample received on Apr. 15, 2014 would like to declare that the tested sample has been evaluated and found to be in compliance with the tested rule parts. The data recorded as well as the test configuration specified is true and accurate for showing the sample's EMC nature.

A handwritten signature in blue ink that reads 'Sam Chen'. The signature is written in a cursive style and is positioned above a horizontal line.

Sam Chen

SPORTON INTERNATIONAL INC.

2. SUMMARY OF THE TEST RESULT

Applied Standard: OET Order 06-96A (2006)			
Part	Appendix	Description of Test	Result
5.2	7.8.3	In-Service Monitoring for Channel Move Time, Channel Closing Transmission Time and Non-Occupancy Period	Complies

Note1: Since the product is client without radar detection function, only Channel Move Time, Channel Closing Transmission Time and Non-Occupancy Period are required to be performed.

Note2: The EUT supports both Master and Client DFS mode of operation, master mode DFS was tested by UL VERIFICATION SERVICES INC.

3. GENERAL INFORMATION

3.1. Standard Requirement

47 CFR FCC Part 15 Subpart E § 15.407: U-NII devices operating in the 5250~5350 / 5470~5725 MHz shall employ a TPC mechanism. The U-NII device is required to have the capability to operate at least 6 dB below the mean EIRP value of 30 dBm. A TPC mechanism is not required for systems with an e.i.r.p. of less than 500 mW.

U-NII devices operating in the 5250~5350 / 5470~5725 MHz shall employ a DFS radar detection mechanism to detect the presence of radar systems and to avoid co-channel operation with radar systems.

3.2. Product Specification Table

Specification Items	Description
Product Type	WLAN (1TX,2TX/1RX,2RX)
Radio Type	Intentional Transceiver
Power Type	From power adapter or PoE
Modulation	see the below table for 802.11n/ac OFDM (BPSK / QPSK / 16QAM / 64QAM) for IEEE 802.11a
Data Rate (Mbps)	see the below table for 802.11n/ac OFDM (6/9/12/18/24/36/48/54) for IEEE 802.11a
Test Frequency Range	5250~5350 / 5470~5725 MHz
Channel Bandwidth	20/40/80 MHz operating channel bandwidth
DFS Function	Slave without radar detection function
TPC Function	<input checked="" type="checkbox"/> Yes / <input type="checkbox"/> No
Weather Band (5600~5650MHz)	<input checked="" type="checkbox"/> Yes / <input type="checkbox"/> No
Max. Con. Power (DFS band)	<p>Mode 1 (Ant. 2 Dipole antenna / 5dBi)</p> <p>For Non-Beamforming Mode:</p> <p>Band 2:</p> <p>1TX: 802.11n MCS0 (HT20): 18.31 dBm ; 802.11n MCS0 (HT40): 17.41 dBm ; 802.11ac MCS0/Nss1 (VHT20): 18.49 dBm ; 802.11ac MCS0/Nss1 (VHT40): 17.46 dBm ; 802.11ac MCS0/Nss1 (VHT80): 13.42 dBm 802.11a: 18.29 dBm</p> <p>Band 3:</p> <p>1TX: 802.11n MCS0 (HT20): 20.48 dBm ; 802.11n MCS0 (HT40): 17.82 dBm ; 802.11ac MCS0/Nss1 (VHT20): 20.53 dBm ;</p>

	<p>802.11ac MCS0/Nss1 (VHT40): 17.74 dBm ; 802.11ac MCS0/Nss1 (VHT80): 19.53 dBm 802.11a: 20.45 dBm</p> <p>Band 2: 2TX: 802.11n MCS0 (HT20): 20.98 dBm ; 802.11n MCS0 (HT40): 20.59 dBm ; 802.11ac MCS0/Nss1 (VHT20): 20.94 dBm ; 802.11ac MCS0/Nss1 (VHT40): 20.60 dBm ; 802.11ac MCS0/Nss1 (VHT80): 14.92 dBm 802.11a: 21.01 dBm</p> <p>Band 3: 2TX: 802.11n MCS0 (HT20): 22.47 dBm ; 802.11n MCS0 (HT40): 21.29 dBm ; 802.11ac MCS0/Nss1 (VHT20): 22.43 dBm ; 802.11ac MCS0/Nss1 (VHT40): 21.39 dBm ; 802.11ac MCS0/Nss1 (VHT80): 22.15 dBm 802.11a: 22.47 dBm</p> <p>For Beamforming Mode:</p> <p>Band 2: 2TX: 802.11ac MCS0/Nss1 (VHT20): 20.66 dBm ; 802.11ac MCS0/Nss1 (VHT40): 20.48 dBm ; 802.11ac MCS0/Nss1 (VHT80): 13.43 dBm 802.11a: 20.72 dBm</p> <p>Band 3: 2TX: 802.11ac MCS0/Nss1 (VHT20): 21.93 dBm ; 802.11ac MCS0/Nss1 (VHT40): 21.39 dBm ; 802.11ac MCS0/Nss1 (VHT80): 20.98 dBm 802.11a: 21.91 dBm</p> <p>For STBC Mode:</p> <p>Band 2: 2TX: 802.11ac MCS0/Nss1 (VHT20): 22.25 dBm ; 802.11ac MCS0/Nss1 (VHT40): 20.69 dBm ; 802.11ac MCS0/Nss1 (VHT80): 15.55 dBm</p> <p>Band 3: 2TX: 802.11ac MCS0/Nss1 (VHT20): 23.41 dBm ; 802.11ac MCS0/Nss1 (VHT40): 21.32 dBm ; 802.11ac MCS0/Nss1 (VHT80): 22.02 dBm</p>
--	--

	<p>Mode 2 (Ant. 4 Panel antenna / 5.1dBi)</p> <p>For Non-Beamforming Mode:</p> <p>Band 2:</p> <p>1TX: 802.11n MCS0 (HT20): 19.67 dBm ; 802.11n MCS0 (HT40): 17.81 dBm ; 802.11ac MCS0/Nss1 (VHT20): 19.71 dBm ; 802.11ac MCS0/Nss1 (VHT40): 17.88 dBm ; 802.11ac MCS0/Nss1 (VHT80): 13.06 dBm 802.11a: 19.69 dBm</p> <p>Band 3:</p> <p>1TX: 802.11n MCS0 (HT20): 19.60 dBm ; 802.11n MCS0 (HT40): 18.28 dBm ; 802.11ac MCS0/Nss1 (VHT20): 19.58 dBm ; 802.11ac MCS0/Nss1 (VHT40): 18.31 dBm ; 802.11ac MCS0/Nss1 (VHT80): 18.55 dBm 802.11a: 19.56 dBm</p> <p>Band 2:</p> <p>2TX: 802.11n MCS0 (HT20): 22.16 dBm ; 802.11n MCS0 (HT40): 20.83 dBm ; 802.11ac MCS0/Nss1 (VHT20): 21.96 dBm ; 802.11ac MCS0/Nss1 (VHT40): 20.82 dBm ; 802.11ac MCS0/Nss1 (VHT80): 13.47 dBm 802.11a: 22.00 dBm</p> <p>Band 3:</p> <p>2TX: 802.11n MCS0 (HT20): 21.99 dBm ; 802.11n MCS0 (HT40): 20.88 dBm ; 802.11ac MCS0/Nss1 (VHT20): 21.90 dBm ; 802.11ac MCS0/Nss1 (VHT40): 20.90 dBm ; 802.11ac MCS0/Nss1 (VHT80): 20.55 dBm 802.11a: 21.93 dBm</p> <p>For Beamforming Mode:</p> <p>Band 2:</p> <p>2TX: 802.11ac MCS0/Nss1 (VHT20): 21.72 dBm ; 802.11ac MCS0/Nss1 (VHT40): 19.73 dBm ; 802.11ac MCS0/Nss1 (VHT80): 11.29 dBm 802.11a: 21.76 dBm</p> <p>Band 3:</p> <p>2TX: 802.11ac MCS0/Nss1 (VHT20): 21.78 dBm ;</p>
--	---

	<p>802.11ac MCS0/Nss1 (VHT40): 20.90 dBm ; 802.11ac MCS0/Nss1 (VHT80): 19.41 dBm 802.11a: 21.82 dBm</p> <p>For STBC Mode:</p> <p>Band 2:</p> <p>2TX: 802.11ac MCS0/Nss1 (VHT20): 22.63 dBm ; 802.11ac MCS0/Nss1 (VHT40): 20.91 dBm ; 802.11ac MCS0/Nss1 (VHT80): 15.12 dBm</p> <p>Band 3:</p> <p>2TX: 802.11ac MCS0/Nss1 (VHT20): 22.74 dBm ; 802.11ac MCS0/Nss1 (VHT40): 20.84 dBm ; 802.11ac MCS0/Nss1 (VHT80): 21.14 dBm</p>
<p>Min. Con. Power (DFS band)</p>	<p>Mode 1 (Ant. 2 Dipole antenna / 5dBi)</p> <p>For Non-Beamforming Mode:</p> <p>Band 2:</p> <p>1TX: 802.11n MCS0 (HT20): 12.31 dBm ; 802.11n MCS0 (HT40): 11.41 dBm ; 802.11ac MCS0/Nss1 (VHT20): 12.49 dBm ; 802.11ac MCS0/Nss1 (VHT40): 11.46 dBm ; 802.11ac MCS0/Nss1 (VHT80): 7.42 dBm 802.11a: 12.29 dBm</p> <p>Band 3:</p> <p>1TX: 802.11n MCS0 (HT20): 14.48 dBm ; 802.11n MCS0 (HT40): 11.82 dBm ; 802.11ac MCS0/Nss1 (VHT20): 14.53 dBm ; 802.11ac MCS0/Nss1 (VHT40): 11.74 dBm ; 802.11ac MCS0/Nss1 (VHT80): 13.53 dBm 802.11a: 14.45 dBm</p> <p>Band 2:</p> <p>2TX: 802.11n MCS0 (HT20): 14.98 dBm ; 802.11n MCS0 (HT40): 14.59 dBm ; 802.11ac MCS0/Nss1 (VHT20): 14.94 dBm ; 802.11ac MCS0/Nss1 (VHT40): 14.60 dBm ; 802.11ac MCS0/Nss1 (VHT80): 8.92 dBm 802.11a: 15.01 dBm</p> <p>Band 3:</p> <p>2TX: 802.11n MCS0 (HT20): 16.47 dBm ; 802.11n MCS0 (HT40): 15.29 dBm ;</p>

	<p>802.11ac MCS0/Nss1 (VHT20): 16.43 dBm ; 802.11ac MCS0/Nss1 (VHT40): 15.39 dBm ; 802.11ac MCS0/Nss1 (VHT80): 16.15 dBm 802.11a: 16.47 dBm</p> <p>For Beamforming Mode:</p> <p>Band 2:</p> <p>2TX: 802.11ac MCS0/Nss1 (VHT20): 14.66 dBm ; 802.11ac MCS0/Nss1 (VHT40): 14.48 dBm ; 802.11ac MCS0/Nss1 (VHT80): 7.43 dBm 802.11a: 14.72 dBm</p> <p>Band 3:</p> <p>2TX: 802.11ac MCS0/Nss1 (VHT20): 15.93 dBm ; 802.11ac MCS0/Nss1 (VHT40): 15.39 dBm ; 802.11ac MCS0/Nss1 (VHT80): 14.98 dBm 802.11a: 15.91 dBm</p> <p>For STBC Mode:</p> <p>Band 2:</p> <p>2TX: 802.11ac MCS0/Nss1 (VHT20): 16.25 dBm ; 802.11ac MCS0/Nss1 (VHT40): 14.69 dBm ; 802.11ac MCS0/Nss1 (VHT80): 9.55 dBm</p> <p>Band 3:</p> <p>2TX: 802.11ac MCS0/Nss1 (VHT20): 17.41 dBm ; 802.11ac MCS0/Nss1 (VHT40): 15.32 dBm ; 802.11ac MCS0/Nss1 (VHT80): 16.02 dBm</p> <p>Mode 2 (Ant. 4 Panel antenna / 5.1dBi)</p> <p>For Non-Beamforming Mode:</p> <p>Band 2:</p> <p>1TX: 802.11n MCS0 (HT20): 13.67 dBm ; 802.11n MCS0 (HT40): 11.81 dBm ; 802.11ac MCS0/Nss1 (VHT20): 13.71 dBm ; 802.11ac MCS0/Nss1 (VHT40): 11.88 dBm ; 802.11ac MCS0/Nss1 (VHT80): 7.06 dBm 802.11a: 13.69 dBm</p> <p>Band 3:</p> <p>1TX: 802.11n MCS0 (HT20): 13.60 dBm ; 802.11n MCS0 (HT40): 12.28 dBm ; 802.11ac MCS0/Nss1 (VHT20): 13.58 dBm ; 802.11ac MCS0/Nss1 (VHT40): 12.31 dBm ;</p>
--	--

	<p>802.11ac MCS0/Nss1 (VHT80): 12.55 dBm 802.11a: 13.56 dBm</p> <p>Band 2:</p> <p>2TX: 802.11n MCS0 (HT20): 16.16 dBm ; 802.11n MCS0 (HT40): 14.83 dBm ; 802.11ac MCS0/Nss1 (VHT20): 15.96 dBm ; 802.11ac MCS0/Nss1 (VHT40): 14.82 dBm ; 802.11ac MCS0/Nss1 (VHT80): 7.47 dBm 802.11a: 16.00 dBm</p> <p>Band 3:</p> <p>2TX: 802.11n MCS0 (HT20): 15.99 dBm ; 802.11n MCS0 (HT40): 14.88 dBm ; 802.11ac MCS0/Nss1 (VHT20): 15.90 dBm ; 802.11ac MCS0/Nss1 (VHT40): 14.90 dBm ; 802.11ac MCS0/Nss1 (VHT80): 14.55 dBm 802.11a: 15.93 dBm</p> <p>For Beamforming Mode:</p> <p>Band 2:</p> <p>2TX: 802.11ac MCS0/Nss1 (VHT20): 15.72 dBm ; 802.11ac MCS0/Nss1 (VHT40): 13.73 dBm ; 802.11ac MCS0/Nss1 (VHT80): 5.29 dBm 802.11a: 15.76 dBm</p> <p>Band 3:</p> <p>2TX: 802.11ac MCS0/Nss1 (VHT20): 15.78 dBm ; 802.11ac MCS0/Nss1 (VHT40): 14.90 dBm ; 802.11ac MCS0/Nss1 (VHT80): 13.41 dBm 802.11a: 15.82 dBm</p> <p>For STBC Mode:</p> <p>Band 2:</p> <p>2TX: 802.11ac MCS0/Nss1 (VHT20): 16.63 dBm ; 802.11ac MCS0/Nss1 (VHT40): 14.91 dBm ; 802.11ac MCS0/Nss1 (VHT80): 9.12 dBm</p> <p>Band 3:</p> <p>2TX: 802.11ac MCS0/Nss1 (VHT20): 16.74 dBm ; 802.11ac MCS0/Nss1 (VHT40): 14.84 dBm ; 802.11ac MCS0/Nss1 (VHT80): 15.14 dBm</p>
--	---

<p>Max. EIRP Power (DFS band)</p>	<p>Mode 1 (Ant. 2 Dipole antenna / 5dBi)</p> <p>For Non-Beamforming Mode:</p> <p>Band 2:</p> <p>1TX: 802.11n MCS0 (HT20): 23.31 dBm ; 802.11n MCS0 (HT40): 22.41 dBm ; 802.11ac MCS0/Nss1 (VHT20): 23.49 dBm ; 802.11ac MCS0/Nss1 (VHT40): 22.46 dBm ; 802.11ac MCS0/Nss1 (VHT80): 18.42 dBm 802.11a: 23.29 dBm</p> <p>Band 3:</p> <p>1TX: 802.11n MCS0 (HT20): 25.48 dBm ; 802.11n MCS0 (HT40): 22.82 dBm ; 802.11ac MCS0/Nss1 (VHT20): 25.53 dBm ; 802.11ac MCS0/Nss1 (VHT40): 22.74 dBm ; 802.11ac MCS0/Nss1 (VHT80): 24.53 dBm 802.11a: 25.45 dBm</p> <p>Band 2:</p> <p>2TX: 802.11n MCS0 (HT20): 25.98 dBm ; 802.11n MCS0 (HT40): 25.59 dBm ; 802.11ac MCS0/Nss1 (VHT20): 25.94 dBm ; 802.11ac MCS0/Nss1 (VHT40): 25.60 dBm ; 802.11ac MCS0/Nss1 (VHT80): 19.92 dBm 802.11a: 26.01 dBm</p> <p>Band 3:</p> <p>2TX: 802.11n MCS0 (HT20): 27.47 dBm ; 802.11n MCS0 (HT40): 26.29 dBm ; 802.11ac MCS0/Nss1 (VHT20): 24.43 dBm ; 802.11ac MCS0/Nss1 (VHT40): 26.39 dBm ; 802.11ac MCS0/Nss1 (VHT80): 28.15 dBm 802.11a: 27.47 dBm</p> <p>For Beamforming Mode:</p> <p>Band 2:</p> <p>2TX: 802.11ac MCS0/Nss1 (VHT20): 25.66 dBm ; 802.11ac MCS0/Nss1 (VHT40): 25.48 dBm ; 802.11ac MCS0/Nss1 (VHT80): 18.43 dBm 802.11a: 25.72 dBm</p>
-----------------------------------	---

	<p>Band 3:</p> <p>2TX: 802.11ac MCS0/Nss1 (VHT20): 26.93 dBm ; 802.11ac MCS0/Nss1 (VHT40): 26.39 dBm ; 802.11ac MCS0/Nss1 (VHT80): 25.98 dBm 802.11a: 26.91 dBm</p> <p>For STBC Mode:</p> <p>Band 2:</p> <p>2TX: 802.11ac MCS0/Nss1 (VHT20): 27.25 dBm ; 802.11ac MCS0/Nss1 (VHT40): 25.69 dBm ; 802.11ac MCS0/Nss1 (VHT80): 20.55 dBm</p> <p>Band 3:</p> <p>2TX: 802.11ac MCS0/Nss1 (VHT20): 28.41 dBm ; 802.11ac MCS0/Nss1 (VHT40): 26.32 dBm ; 802.11ac MCS0/Nss1 (VHT80): 27.02 dBm</p> <p>Mode 2 (Ant. 4 Panel antenna / 5.1dBi)</p> <p>For Non-Beamforming Mode:</p> <p>Band 2:</p> <p>1TX: 802.11n MCS0 (HT20): 24.77 dBm ; 802.11n MCS0 (HT40): 22.91 dBm ; 802.11ac MCS0/Nss1 (VHT20): 24.81 dBm ; 802.11ac MCS0/Nss1 (VHT40): 22.98 dBm ; 802.11ac MCS0/Nss1 (VHT80): 18.16 dBm 802.11a: 24.79 dBm</p> <p>Band 3:</p> <p>1TX: 802.11n MCS0 (HT20): 24.70 dBm ; 802.11n MCS0 (HT40): 23.38 dBm ; 802.11ac MCS0/Nss1 (VHT20): 24.68 dBm ; 802.11ac MCS0/Nss1 (VHT40): 23.41 dBm ; 802.11ac MCS0/Nss1 (VHT80): 23.65 dBm 802.11a: 24.66 dBm</p> <p>Band 2:</p> <p>2TX: 802.11n MCS0 (HT20): 27.26 dBm ; 802.11n MCS0 (HT40): 25.93 dBm ; 802.11ac MCS0/Nss1 (VHT20): 27.06 dBm ; 802.11ac MCS0/Nss1 (VHT40): 25.92 dBm ; 802.11ac MCS0/Nss1 (VHT80): 18.57 dBm 802.11a: 27.10 dBm</p>
--	---

	<p>Band 3:</p> <p>2TX: 802.11n MCS0 (HT20): 27.09 dBm ; 802.11n MCS0 (HT40): 25.98 dBm ; 802.11ac MCS0/Nss1 (VHT20): 27.00 dBm ; 802.11ac MCS0/Nss1 (VHT40): 26.00 dBm ; 802.11ac MCS0/Nss1 (VHT80): 25.65 dBm 802.11a: 27.03 dBm</p> <p>For Beamforming Mode:</p> <p>Band 2:</p> <p>2TX: 802.11ac MCS0/Nss1 (VHT20): 26.82 dBm ; 802.11ac MCS0/Nss1 (VHT40): 24.83 dBm ; 802.11ac MCS0/Nss1 (VHT80): 16.39 dBm 802.11a: 26.86 dBm</p> <p>Band 3:</p> <p>2TX: 802.11ac MCS0/Nss1 (VHT20): 26.88 dBm ; 802.11ac MCS0/Nss1 (VHT40): 26.00 dBm ; 802.11ac MCS0/Nss1 (VHT80): 25.41 dBm 802.11a: 26.92 dBm</p> <p>For STBC Mode:</p> <p>Band 2:</p> <p>2TX: 802.11ac MCS0/Nss1 (VHT20): 27.73 dBm ; 802.11ac MCS0/Nss1 (VHT40): 26.01 dBm ; 802.11ac MCS0/Nss1 (VHT80): 20.22 dBm</p> <p>Band 3:</p> <p>2TX: 802.11ac MCS0/Nss1 (VHT20): 27.84 dBm ; 802.11ac MCS0/Nss1 (VHT40): 25.94 dBm ; 802.11ac MCS0/Nss1 (VHT80): 26.24 dBm</p>
<p>Min. EIRP Power (DFS band)</p>	<p>Mode 1 (Ant. 2 Dipole antenna / 5dBi)</p> <p>For Non-Beamforming Mode:</p> <p>Band 2:</p> <p>1TX: 802.11n MCS0 (HT20): 17.31 dBm ; 802.11n MCS0 (HT40): 16.41 dBm ; 802.11ac MCS0/Nss1 (VHT20): 17.49 dBm ; 802.11ac MCS0/Nss1 (VHT40): 16.46 dBm ; 802.11ac MCS0/Nss1 (VHT80): 12.42 dBm 802.11a: 17.29 dBm</p> <p>Band 3:</p> <p>1TX: 802.11n MCS0 (HT20): 19.48 dBm ;</p>

	<p>802.11n MCS0 (HT40): 16.82 dBm ; 802.11ac MCS0/Nss1 (VHT20): 19.53 dBm ; 802.11ac MCS0/Nss1 (VHT40): 16.74 dBm ; 802.11ac MCS0/Nss1 (VHT80): 18.53 dBm 802.11a: 19.45 dBm</p> <p>Band 2: 2TX: 802.11n MCS0 (HT20): 19.98 dBm ; 802.11n MCS0 (HT40): 19.59 dBm ; 802.11ac MCS0/Nss1 (VHT20): 19.94 dBm ; 802.11ac MCS0/Nss1 (VHT40): 19.60 dBm ; 802.11ac MCS0/Nss1 (VHT80): 13.92 dBm 802.11a: 20.01 dBm</p> <p>Band 3: 2TX: 802.11n MCS0 (HT20): 21.47 dBm ; 802.11n MCS0 (HT40): 20.29 dBm ; 802.11ac MCS0/Nss1 (VHT20): 18.43 dBm ; 802.11ac MCS0/Nss1 (VHT40): 20.39 dBm ; 802.11ac MCS0/Nss1 (VHT80): 22.15 dBm 802.11a: 21.47 dBm</p> <p>For Beamforming Mode:</p> <p>Band 2: 2TX: 802.11ac MCS0/Nss1 (VHT20): 19.66 dBm ; 802.11ac MCS0/Nss1 (VHT40): 19.48 dBm ; 802.11ac MCS0/Nss1 (VHT80): 12.43 dBm 802.11a: 19.72 dBm</p> <p>Band 3: 2TX: 802.11ac MCS0/Nss1 (VHT20): 20.93 dBm ; 802.11ac MCS0/Nss1 (VHT40): 20.39 dBm ; 802.11ac MCS0/Nss1 (VHT80): 19.98 dBm 802.11a: 20.91 dBm</p> <p>For STBC Mode:</p> <p>Band 2: 2TX: 802.11ac MCS0/Nss1 (VHT20): 21.25 dBm ; 802.11ac MCS0/Nss1 (VHT40): 19.69 dBm ; 802.11ac MCS0/Nss1 (VHT80): 14.55 dBm</p> <p>Band 3: 2TX: 802.11ac MCS0/Nss1 (VHT20): 22.41 dBm ; 802.11ac MCS0/Nss1 (VHT40): 20.32 dBm ;</p>
--	---

	<p>802.11ac MCS0/Nss1 (VHT80): 21.02 dBm</p> <p>Mode 2 (Ant. 4 Panel antenna / 5.1dBi)</p> <p>For Non-Beamforming Mode:</p> <p>Band 2:</p> <p>1TX: 802.11n MCS0 (HT20): 18.77 dBm ; 802.11n MCS0 (HT40): 16.91 dBm ; 802.11ac MCS0/Nss1 (VHT20): 18.81 dBm ; 802.11ac MCS0/Nss1 (VHT40): 16.98 dBm ; 802.11ac MCS0/Nss1 (VHT80): 12.16 dBm 802.11a: 18.79 dBm</p> <p>Band 3:</p> <p>1TX: 802.11n MCS0 (HT20): 18.70 dBm ; 802.11n MCS0 (HT40): 17.38 dBm ; 802.11ac MCS0/Nss1 (VHT20): 18.68 dBm ; 802.11ac MCS0/Nss1 (VHT40): 17.41 dBm ; 802.11ac MCS0/Nss1 (VHT80): 17.65 dBm 802.11a: 18.66 dBm</p> <p>Band 2:</p> <p>2TX: 802.11n MCS0 (HT20): 21.26 dBm ; 802.11n MCS0 (HT40): 19.93 dBm ; 802.11ac MCS0/Nss1 (VHT20): 21.06 dBm ; 802.11ac MCS0/Nss1 (VHT40): 19.92 dBm ; 802.11ac MCS0/Nss1 (VHT80): 12.57 dBm 802.11a: 21.10 dBm</p> <p>Band 3:</p> <p>2TX: 802.11n MCS0 (HT20): 21.09 dBm ; 802.11n MCS0 (HT40): 19.98 dBm ; 802.11ac MCS0/Nss1 (VHT20): 21.00 dBm ; 802.11ac MCS0/Nss1 (VHT40): 20.00 dBm ; 802.11ac MCS0/Nss1 (VHT80): 19.65 dBm 802.11a: 21.03 dBm</p> <p>For Beamforming Mode:</p> <p>Band 2:</p> <p>2TX: 802.11ac MCS0/Nss1 (VHT20): 20.82 dBm ; 802.11ac MCS0/Nss1 (VHT40): 18.83 dBm ; 802.11ac MCS0/Nss1 (VHT80): 10.39 dBm 802.11a: 20.86 dBm</p>
--	---

	<p>Band 3:</p> <p>2TX: 802.11ac MCS0/Nss1 (VHT20): 20.88 dBm ; 802.11ac MCS0/Nss1 (VHT40): 20.00 dBm ; 802.11ac MCS0/Nss1 (VHT80): 19.41 dBm 802.11a: 20.92 dBm</p> <p>For STBC Mode:</p> <p>Band 2:</p> <p>2TX: 802.11ac MCS0/Nss1 (VHT20): 21.73 dBm ; 802.11ac MCS0/Nss1 (VHT40): 20.01 dBm ; 802.11ac MCS0/Nss1 (VHT80): 14.22 dBm</p> <p>Band 3:</p> <p>2TX: 802.11ac MCS0/Nss1 (VHT20): 21.84 dBm ; 802.11ac MCS0/Nss1 (VHT40): 19.94 dBm ; 802.11ac MCS0/Nss1 (VHT80): 20.24 dBm</p>
Operating Mode	Slave without radar detection function
Communication Mode	IP based system
Power-on cycle	NA (No Channel Availability Check Function)
Software Version (Slave)	5.5.3.1-202592X
Carrier Frequencies	Please refer to section 3.5
Antenna	Please refer to section 3.6

Antenna & Band width

Antenna	Single (TX)			Two (TX)		
	20 MHz	40 MHz	80 MHz	20 MHz	40 MHz	80 MHz
IEEE 802.11a	V	X	X	V	X	X
IEEE 802.11n	V	V	X	V	V	X
IEEE 802.11ac	V	V	V	V	V	V

IEEE 11n/ac Spec.

Protocol	Number of Transmit Chains (NTX)	Data Rate / MCS
802.11n (HT20)	1,2	MCS0-15
802.11n (HT40)	1,2	MCS0-15
802.11ac (VHT20)	1,2	MCS 0-9/Nss1-2
802.11ac (VHT40)	1,2	MCS 0-9/Nss1-2
802.11ac (VHT80)	1,2	MCS 0-9/Nss1-2

Note 1: IEEE Std. 802.11n modulation consists of HT20 and HT40 (HT: High Throughput).

Then EUT support HT20 and HT40.

Note 2: IEEE Std. 802.11ac modulation consists of VHT20, VHT40, VHT80 and VHT160 (VHT: Very High Throughput). Then EUT supports VHT20, VHT40 in 2.4GHz and supports VHT20, VHT40, VHT80 in 5GHz.

Note 3: Modulation modes consist of below configuration:

HT20/HT40: IEEE 802.11n, VHT20/VHT40/VHT80: IEEE 802.11ac

3.3. Accessories

Power	Brand	Model	Rating
Adapter	Leader	NU60-H120500-13	INPUT: 100-240V ~ 50/60Hz, 1.4A OUTPUT: 12.0V, 5.0A

3.4. Table for DFS Band Carrier Frequencies

There are three bandwidth systems.

For 20MHz bandwidth systems, use Channel 52, 56, 60, 64, 100, 104, 108, 112, 116, 120, 124, 128, 132, 136, 140, 144.

For 40MHz bandwidth systems, use Channel 54, 62, 102, 110, 118, 126, 134, 142.

For 80MHz bandwidth systems, use Channel 58, 106, 122, 138.

Frequency Band	Channel No.	Frequency	Channel No.	Frequency
5250~5350 MHz Band 2	52	5260 MHz	60	5300 MHz
	54	5270 MHz	62	5310 MHz
	56	5280 MHz	64	5320 MHz
	58	5290 MHz	-	-
5470~5725 MHz Band 3	100	5500 MHz	124	5620 MHz
	102	5510 MHz	126	5630 MHz
	104	5520 MHz	128	5640 MHz
	106	5530 MHz	132	5660 MHz
	108	5540 MHz	134	5670 MHz
	110	5550 MHz	136	5680 MHz
	112	5560 MHz	138	5690 MHz
	116	5580 MHz	140	5700 MHz
	118	5590 MHz	142	5710 MHz
	120	5600 MHz	144	5720 MHz
	122	5610 MHz	-	-

3.5. Antenna Information on DFS Band

Ant.	Brand	Model Name	Antenna Type	Connector	Antenna Gain (dBi)		Cable Loss (dBi)		True Gain (dBi)	
					2.4G	5G	2.4G	5G	2.4G	5G
1	MOTOROLA	ML-2452-APA2-01	Dipole	RP-SMA Male	3.17	4.85	-	-	3.17	4.85
2	MOTOROLA	ML-2452-HPA5-036	Dipole	RP-SMA Male	3	5	-	-	3	5
3	MOTOROLA	ML-2452-APAG2A1-01	Dipole	RP-SMA Male	2.7	1.7	-	-	2.7	1.7
4	MOTOROLA	ML-2452-PNA5-01R	Panel	N-Type Male	5.5	6	0.7	0.9	4.8	5.1

Note: Ant. 1~Ant. 4 are all have 4 same antennas for each. The EUT has two types of antenna. Only the highest gain antenna was selected from each different type of antenna to test and record in this report. Antenna 2 and 4 were selected to perform the test and recorded in this report.

<For 2.4GHz Band>

For IEEE 802.11b/g/n/ac mode (1TX,2TX/1RX,2RX):

The EUT can support 1TX, 2TX and 1RX, 2RX functions.

For 1TX (Ant. 1)

Both Chain 1 and Chain 2 support transmit and receive functions, but only one of them will be used at one time.

After evaluating, Chain 2 has been evaluated to be the worst case, so it's selected to record in this test report.

For 1TX (Ant. 4)

Both Chain 1 and Chain 2 support transmit and receive functions, but only one of them will be used at one time.

After evaluating, Chain 1 has been evaluated to be the worst case, so it's selected to record in this test report.

For 2TX

Chain 1 and Chain 2 could transmit/receive simultaneously.

<For 5GHz Band>

For IEEE 802.11a/n/ac mode (1TX,2TX /1RX,2RX):

The EUT can support 1TX, 2TX and 1RX, 2RX functions.

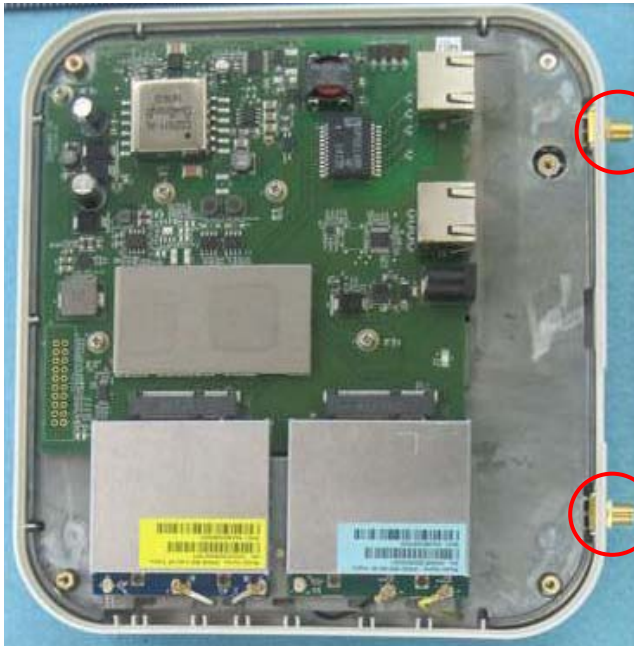
For 1TX

Both Chain 1 and Chain 2 support transmit and receive functions, but only one of them will be used at one time.

After evaluating, Chain 2 has been evaluated to be the worst case, so it's selected to record in this test report.

For 2TX

Chain 1 and Chain 2 could transmit/receive simultaneously.



Chain 1 (connects to Ant. 1~Ant. 4)



Chain 2 (connects to Ant. 1~Ant. 4)

3.6. Testing Location Information

Testing Location				
<input type="checkbox"/>	HWA YA	ADD : No. 52, Hwa Ya 1st Rd., Kwei-Shan Hsiang, Tao Yuan Hsien, Taiwan, R.O.C.		
		TEL : 886-3-327-3456	FAX : 886-3-327-0973	
<input checked="" type="checkbox"/>	JHUBEI	ADD : No.8, Lane 724, Bo-ai St., Jhubei City, HsinChu County 302, Taiwan, R.O.C.		
		TEL : 886-3-656-9065	FAX : 886-3-656-9085	
Test Condition	Test Site No.	Test Engineer	Test Environment	Test Date
DFS Site	DF01-CB	Cliff Chang	24°C / 62%	2014/6/25 ~ 2014/6/27

3.7. Table for Class II Change

This product is an extension of original one reported under Sporton project number: FR441804-04AB

Below is the table for the change of the product with respect to the original one.

Description	Performance Checking
Add Band 2 and Band 3	All Item test

4. DFS DETECTION THRESHOLDS AND RADAR TEST WAVEFORMS

4.1. Interference Threshold values, Master or Client incorporating In-Service Monitoring

Maximum Transmit Power	Value (see note)
≥ 200 milliwatt	-64 dBm
< 200 milliwatt	-62 dBm

Note 1: This is the level at the input of the receiver assuming a 0 dBi receive antenna.

Note 2: Throughout these test procedures an additional 1 dB has been added to the amplitude of the test transmission waveforms to account for variations in measurement equipment. This will ensure that the test signal is at or above the detection threshold level to trigger a DFS response.

The radar *Detection Threshold*, lowest antenna gain is the parameter of Interference *radar DFS detection threshold*, The Interference ***Detection Threshold*** is the $-64 \text{ dBm} + 0 [\text{dBi}] + 1 \text{ dB} = -63 \text{ dBm}$.

4.2. DFS Response requirement values

Parameter	Value
<i>Non-occupancy period</i>	Minimum 30 minutes
<i>Channel Availability Check Time</i>	60 seconds
<i>Channel Move Time</i>	10 seconds See Note 1.
<i>Channel Closing Transmission Time</i>	200 milliseconds + an aggregate of 60 milliseconds over remaining 10 second period. See Notes 1 and 2.
<i>U-NII Detection Bandwidth</i>	Minimum 80% of the 99% power bandwidth See Note 3.

Note 1: The instant that the *Channel Move Time* and the *Channel Closing Transmission Time* begins is as follows:

- For the Short pulse radar Test Signals this instant is the end of the *Burst*.
- For the Frequency Hopping radar Test Signal, this instant is the end of the last radar *Burst* generated.
- For the Long Pulse radar Test Signal this instant is the end of the 12 second period defining the radar transmission.

Note 2: The *Channel Closing Transmission Time* is comprised of 200 milliseconds starting at the beginning of the *Channel Move Time* plus any additional intermittent control signals required to facilitate *Channel* changes (an aggregate of 60 milliseconds) during the remainder of the 10 second period. The aggregate duration of control signals will not count quiet periods in between transmissions.

Note 3: During the *U-NII Detection Bandwidth* detection test, radar type 1 is used and for each frequency step the minimum percentage of detection is 90%. Measurements are performed with no data traffic.

4.3. Radar Test Waveforms Minimum Step

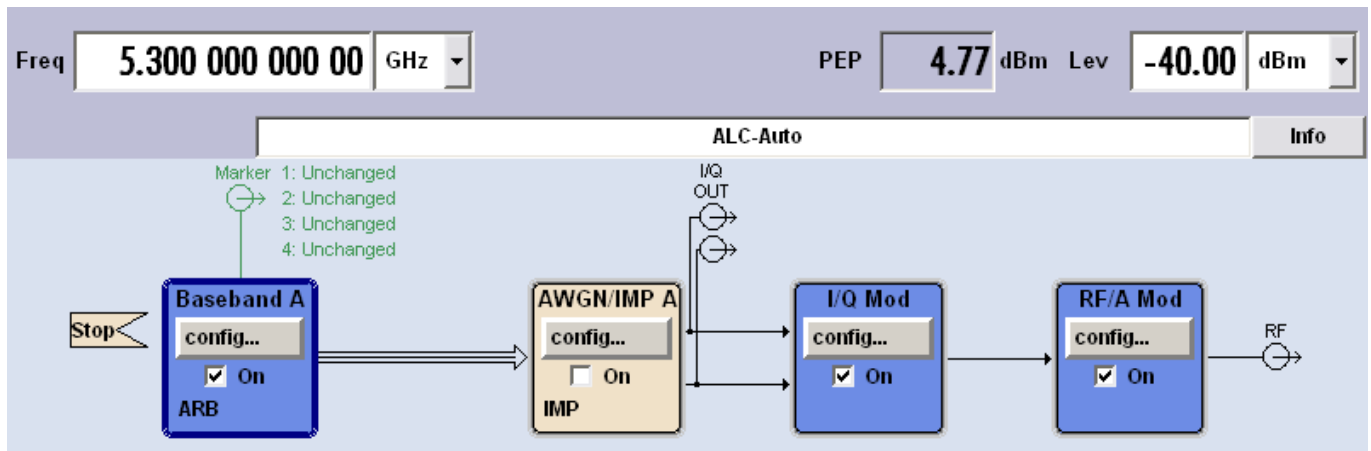
Step intervals of 0.1 microsecond for Pulse Width, 1 microsecond for PRI, 1 MHz for chirp width and 1 for the number of pulses will be utilized for the random determination of specific test waveforms.

4.4. Short Pulse Radar Test Waveforms

Radar Type	Pulse Width (μsec)	PRI (μsec)	Number of Pulses	Minimum Percentage of Successful Detection	Minimum Trials
1	1	1428	18	60%	30
2	1-5	150-230	23-29	60%	30
3	6-10	200-500	16-18	60%	30
4	11-20	200-500	12-16	60%	30
Aggregate (Radar Types 1-4)				80%	120

A minimum of 30 unique waveforms are required for each of the short pulse radar types 2 through 4. For short pulse radar type 1, the same waveform is used a minimum of 30 times. If more than 30 waveforms are used for short pulse radar types 2 through 4, then each additional waveform must also be unique and not repeated from the previous waveforms. The aggregate is the average of the percentage of successful detections of short pulse radar types 1-4.

Radar Types (1~4) System Diagram



Used R&S SMU200A (Vector SG with one ARB) or SG + ARB

B11: Base-band Generator with ARB (16 M samples) and Digital Modulation

B13: Base-band Main Module

B106: frequency range (100 kHz to 6 GHz)

For selecting the waveform parameters from within the bounds of the signal type, system were random selection using uniform distribution.

4.5. Long Pulse Radar Test Waveform

Radar Type	Pulse Width (μsec)	Chirp Width (MHz)	PRI (μsec)	Number of Pulses per Burst	Number of Bursts	Minimum Percentage of Successful Detection	Minimum Trials
5	50-100	5-20	1000-2000	1-3	8-20	80%	30

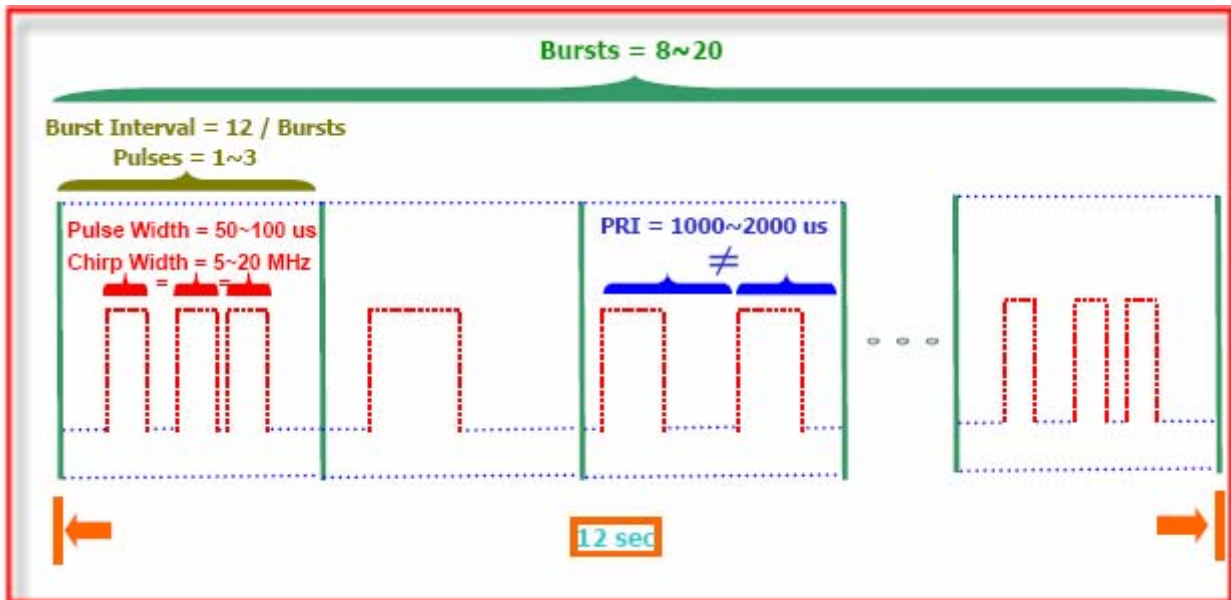
The parameters for this waveform are randomly chosen. Thirty unique waveforms are required for the Long Pulse radar test signal. If more than 30 waveforms are used for the Long Pulse radar test signal, then each additional waveform must also be unique and not repeated from the previous waveforms. Each waveform is defined as follows:

- (1) The transmission period for the Long Pulse Radar test signal is 12 seconds.
- (2) There are a total of 8 to 20 Bursts in the 12 second period, with the number of Bursts being randomly chosen. This number is Burst_Count.
- (3) Each Burst consists of 1 to 3 pulses, with the number of pulses being randomly chosen. Each Burst within the 12 second sequence may have a different number of pulses.
- (4) The pulse width is between 50 and 100 microseconds, with the pulse width being randomly chosen. Each pulse within a Burst will have the same pulse width. Pulses in different Bursts may have different pulse widths.
- (5) Each pulse has a linear FM chirp between 5 and 20 MHz, with the chirp width being randomly chosen. Each pulse within a Burst will have the same chirp width. Pulses in different Bursts may have different chirp widths. The chirp is centered on the pulse. For example, with a radar frequency of 5300 MHz and a 20 MHz chirped signal, the chirp starts at 5290 MHz and ends at 5310 MHz.
- (6) If more than one pulse is present in a Burst, the time between the pulses will be between 1000 and 2000 microseconds, with the time being randomly chosen. If three pulses are present in a Burst, the time between the first and second pulses is chosen independently of the time between the second and third pulses.
- (7) The 12 second transmission period is divided into even intervals. The number of intervals is equal to Burst_Count. Each interval is of length $(12,000,000 / \text{Burst_Count})$ microseconds. Each interval contains one Burst. The start time for the Burst, relative to the beginning of the interval, is between 1 and $[(12,000,000 / \text{Burst_Count}) - (\text{Total Burst Length}) + (\text{One Random PRI Interval})]$ microseconds, with the start time being randomly chosen. The step interval for the start time is 1 microsecond. The start time for each Burst is chosen independently.

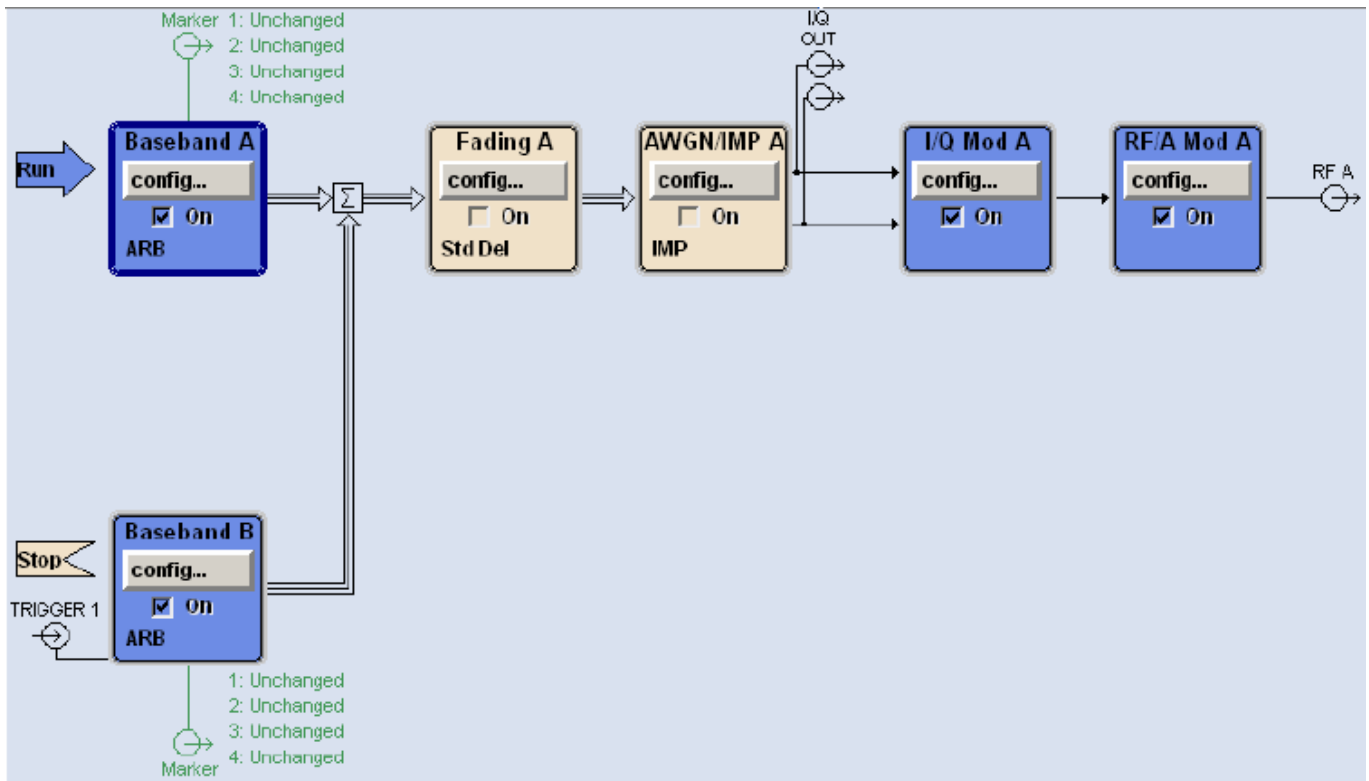
A representative example of a Long Pulse radar test waveform:

- (1) The total test signal length is 12 seconds.
- (2) 8 Bursts are randomly generated for the Burst_Count.
- (3) Burst 1 has 2 randomly generated pulses.
- (4) The pulse width (for both pulses) is randomly selected to be 75 microseconds.
- (5) The PRI is randomly selected to be at 1213 microseconds.

- (6) Bursts 2 through 8 are generated using steps 3 – 5.
- (7) Each Burst is contained in even intervals of 1,500,000 microseconds. The starting location for Pulse 1, Burst 1 is randomly generated (1 to 1,500,000 minus the total Burst 1 length + 1 random PRI interval) at the 325,001 microsecond step. Bursts 2 through 8 randomly fall in successive 1,500,000 microsecond intervals (i.e. Burst 2 falls in the 1,500,001 – 3,000,000 microsecond range).



Radar Types (5) System Diagram



Used R&S SMU200A (Vector SG with two ARB)

Path A / Path B Two B11: Base-band Generator with ARB (16 M samples) and Digital Modulation

B13: Base-band Main Module

B106: frequency range (100 kHz to 6 GHz)

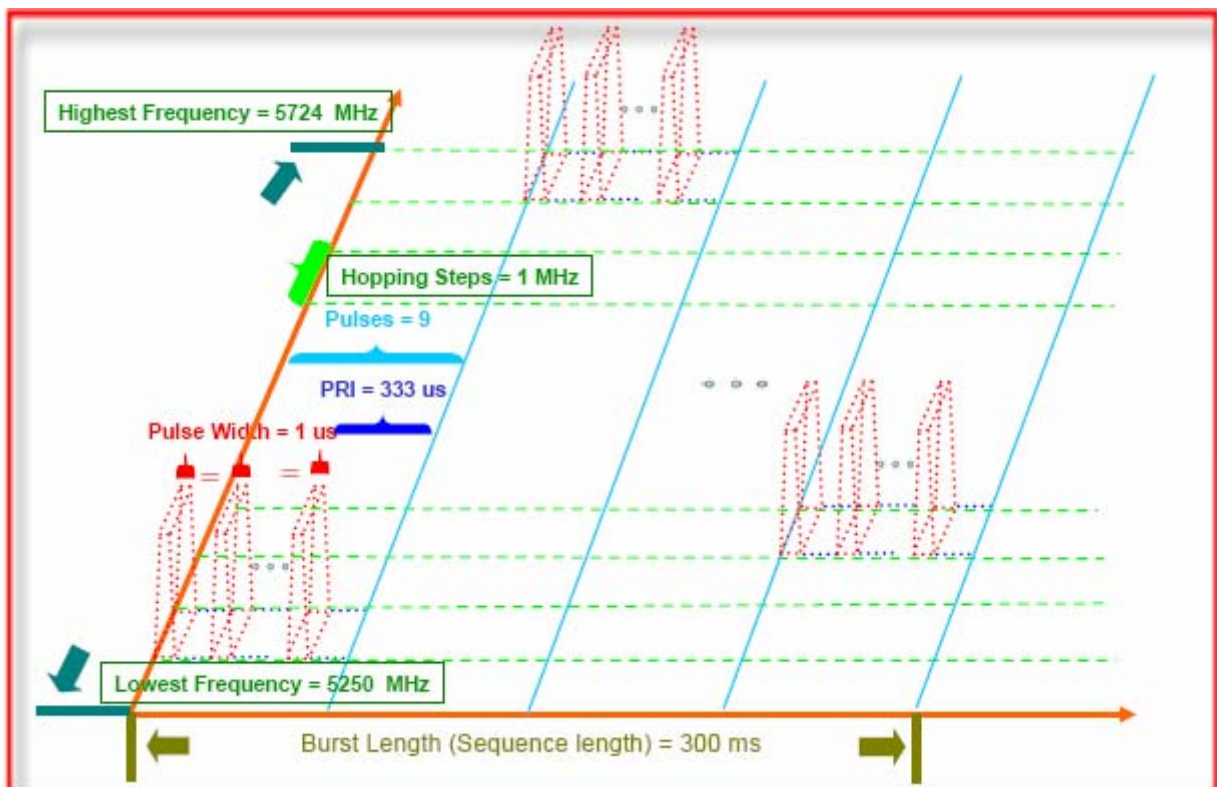
For selecting the waveform parameters from within the bounds of the signal type, system was random selection using uniform distribution.

4.6. Frequency Hopping Radar Test Waveform

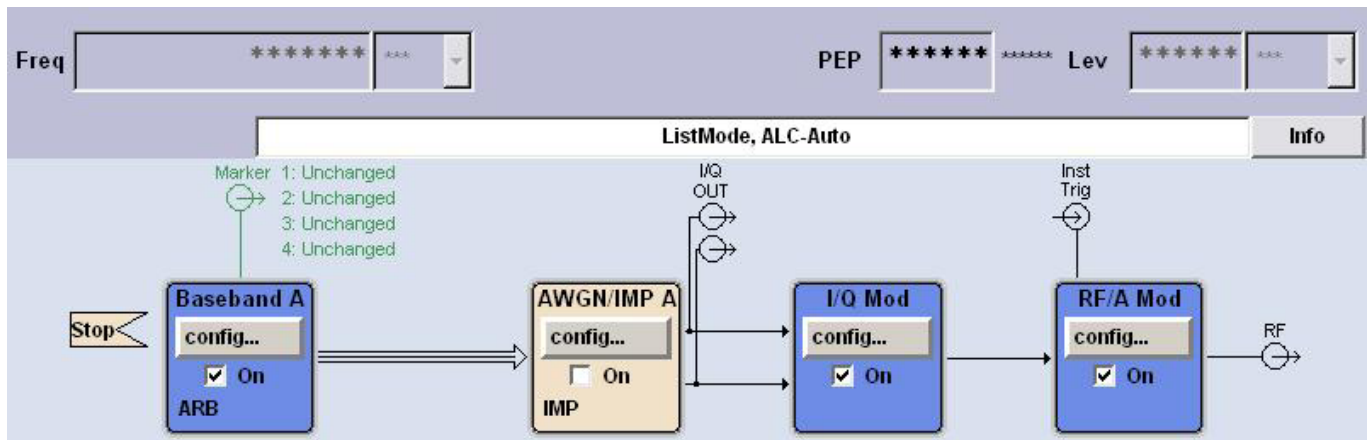
Radar Type	Pulse Width (μsec)	PRI (μsec)	Pulses per Hop	Hopping Rate (kHz)	Hopping Sequence Length (msec)	Minimum Percentage of Successful Detection	Minimum Trials
6	1	333	9	0.333	300	70%	30

For the Frequency Hopping Radar Type, the same Burst parameters are used for each waveform. The hopping sequence is different for each waveform and a 100-length segment is selected from the hopping sequence defined by the following algorithm:

The first frequency in a hopping sequence is selected randomly from the group of 475 integer frequencies from 5250 – 5724 MHz. Next, the frequency that was just chosen is removed from the group and a frequency is randomly selected from the remaining 474 frequencies in the group. This process continues until all 475 frequencies are chosen for the set. For selection of a random frequency, the frequencies remaining within the group are always treated as equally likely.



Radar Types (6) System Diagram



Used R&S SMU200A (Vector SG with one ARB)

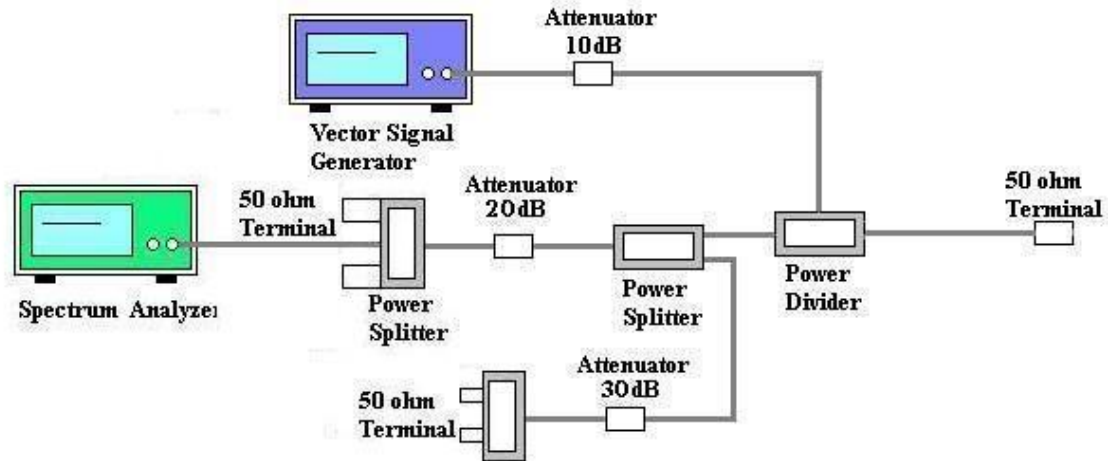
B11: Base-band Generator with ARB (16 M samples) and Digital Modulation

B13: Base-band Main Module

B106: frequency range (100 kHz to 6 GHz)

For selecting the waveform parameters from within the bounds of the signal type, system were random selection using uniform distribution.

4.7. Radiated Calibration Setup



4.8. Radar Waveform Calibration Procedure

The Interference **Radar Detection Threshold Level** is $-64 \text{ dBm} + 0 [\text{dBi}] + 1 \text{ dB} = -63 \text{ dBm}$ that had been taken into account the output power range and antenna gain. The above equipment setup was used to calibrate the conducted Radar Waveform. A vector signal generator was utilized to establish the test signal level for each radar type. During this process there were replace 50ohm terminal form Master and Client device and no transmissions by either the Master or Client Device. The spectrum analyzer was switched to the zero span (Time Domain) at the frequency of the Radar Waveform generator. Peak detection was used. The spectrum analyzer resolution bandwidth (RBW) and video bandwidth (VBW) were set to at least 3 MHz. The vector signal generator amplitude was set so that the power level measured at the spectrum analyzer was $-64 \text{ dBm} + 0 [\text{dBi}] + 1 \text{ dB} = -63 \text{ dBm}$. Capture the spectrum analyzer plots on short pulse radar types, long pulse radar type and hopping radar waveform.

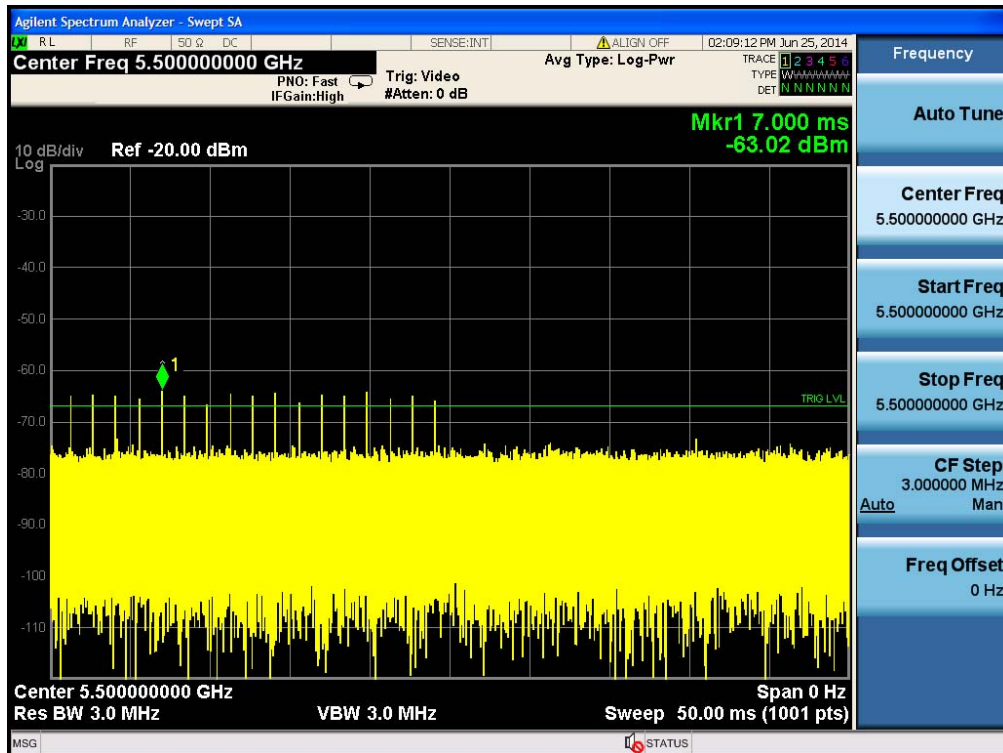
4.9. Calibration Deviation

There is no deviation with the original standard.

4.10. Radar Waveform Calibration Result

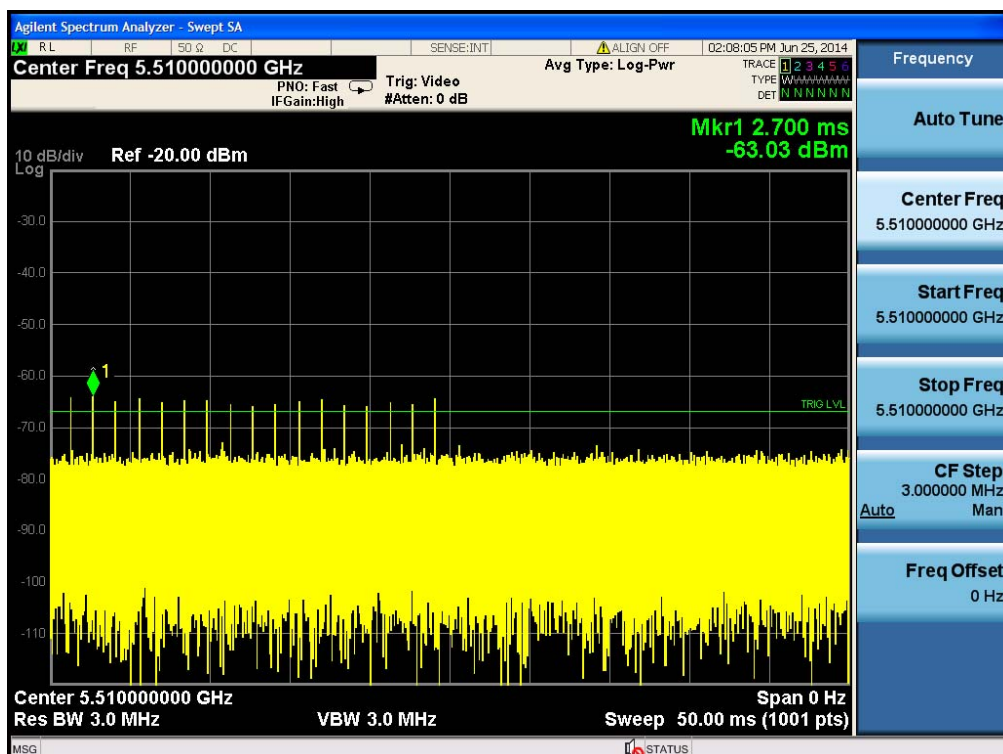
<For 20MHz>

Radar #1 DFS detection threshold level and the burst of pulses on the Channel frequency



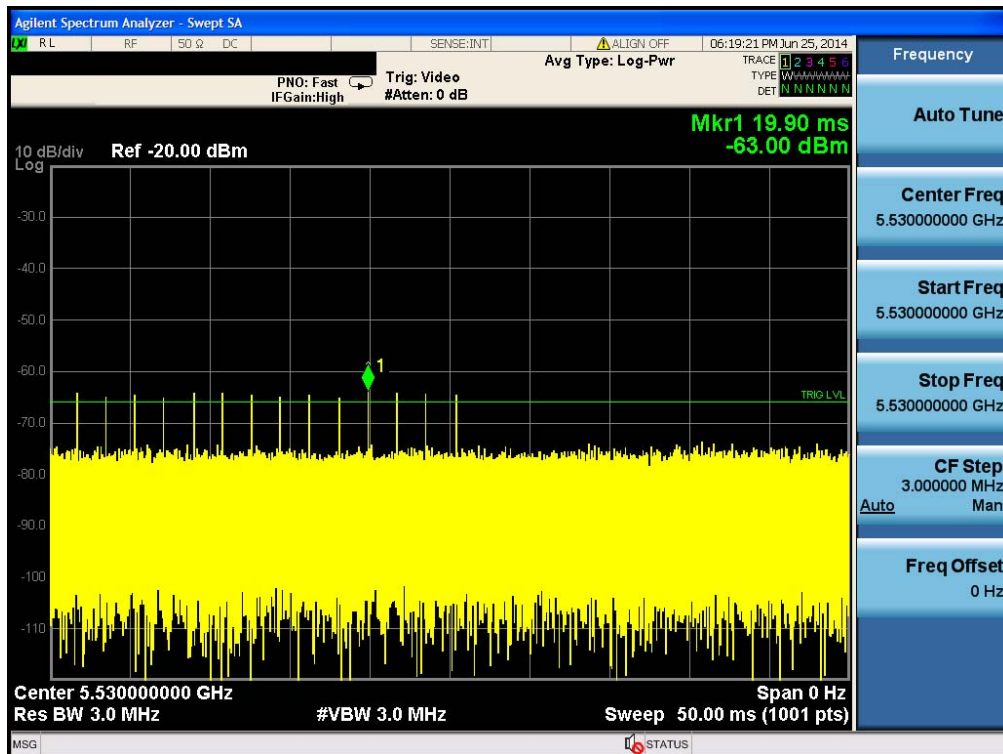
<For 40MHz>

Radar #1 DFS detection threshold level and the burst of pulses on the Channel frequency



<For 80MHz>

Radar #1 DFS detection threshold level and the burst of pulses on the Channel frequency

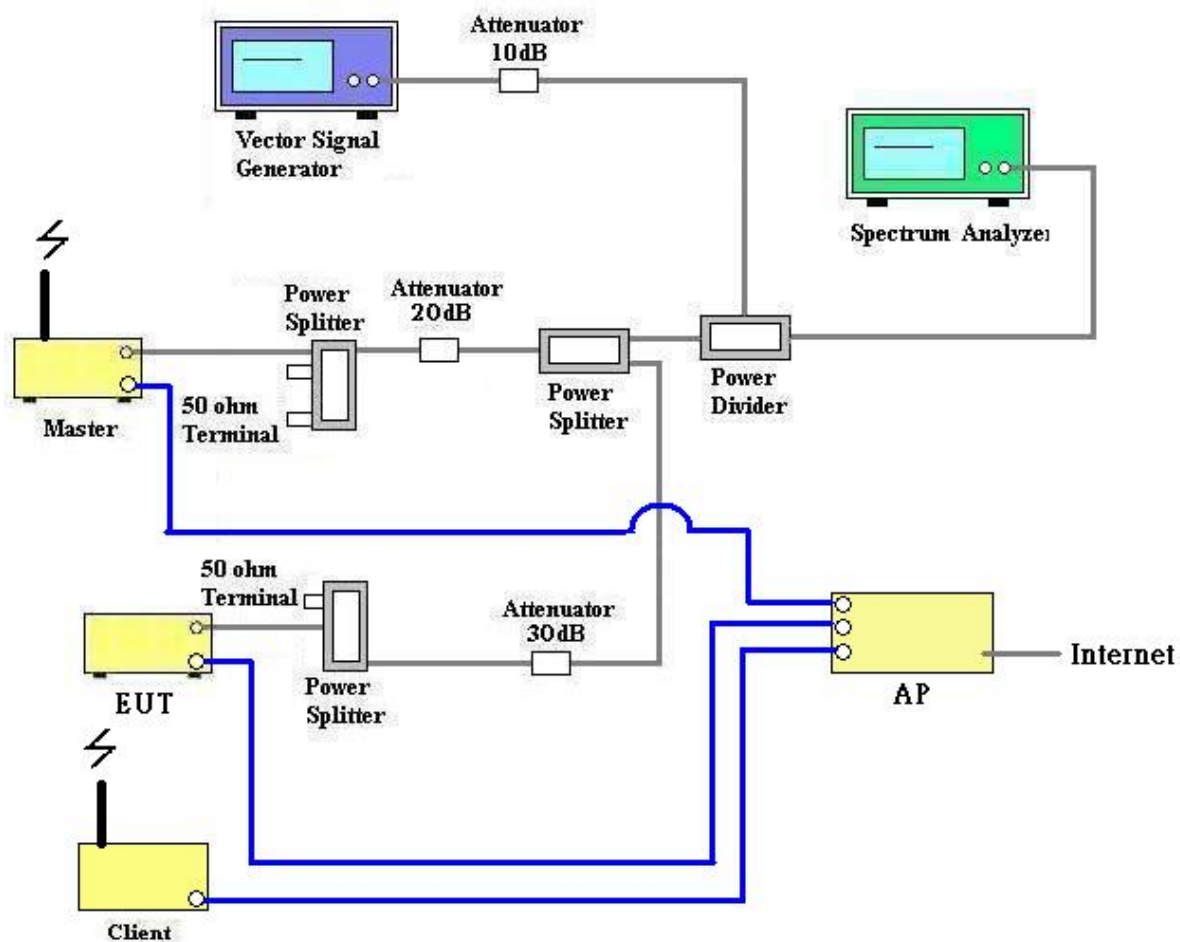


5. TEST SETUP AND TEST RESULT

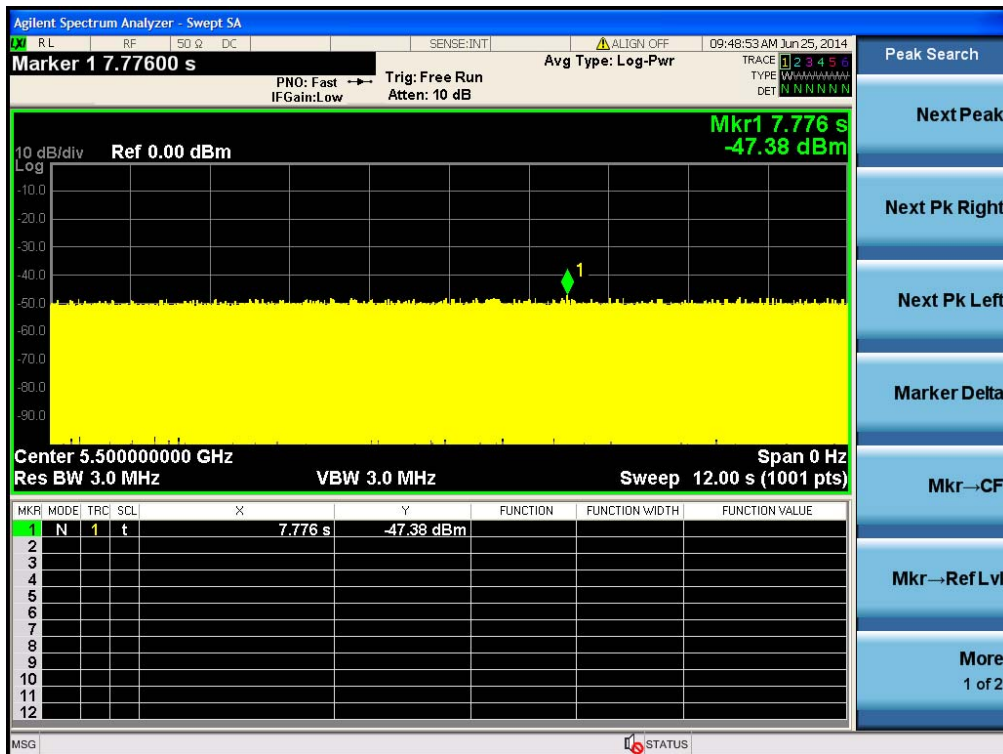
5.1. Test setup

5.1.1. Test Setup Diagram

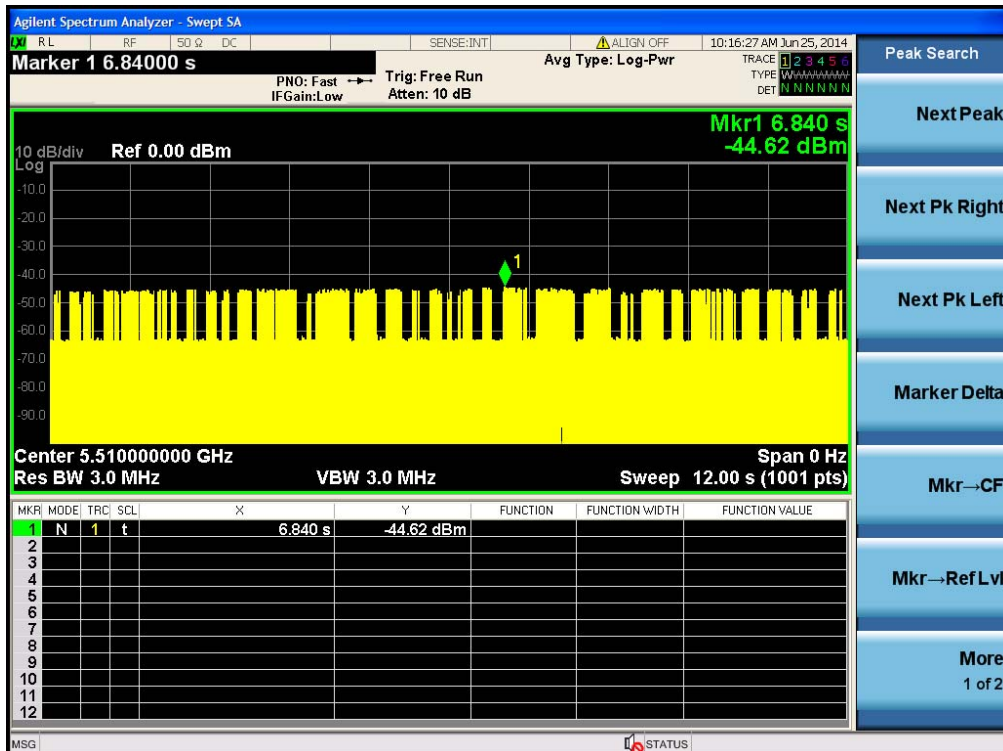
Following is the test setup for generate the radar waveforms and used to monitor UNII device.



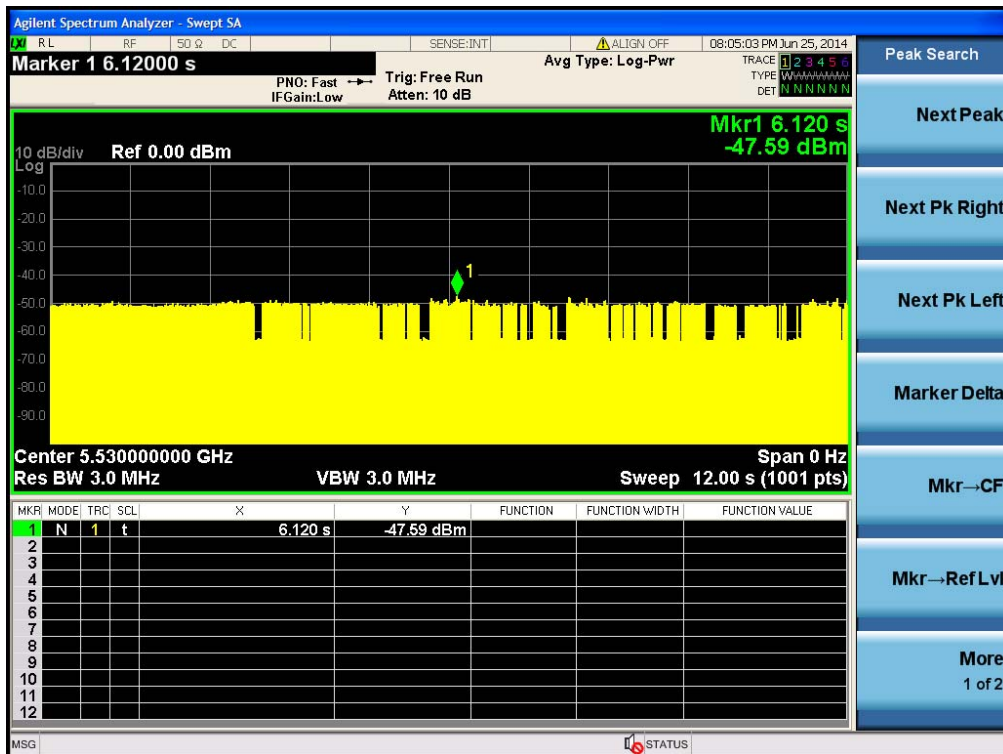
(Master) Data Traffic Plot (20 MHz)



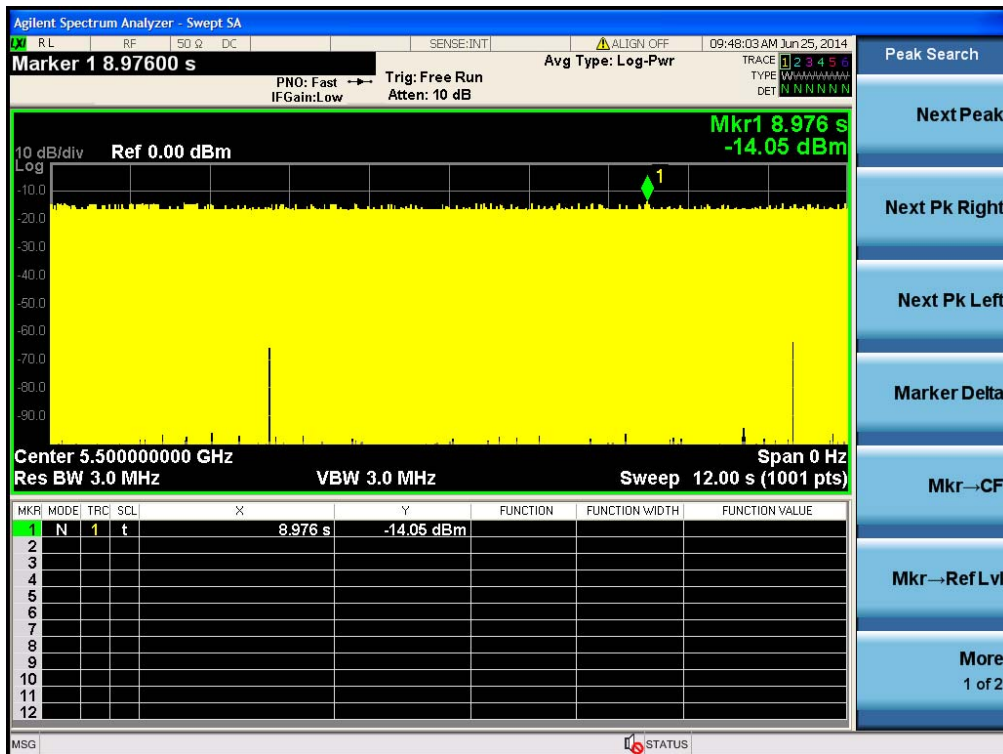
(Master) Data Traffic Plot (40 MHz)



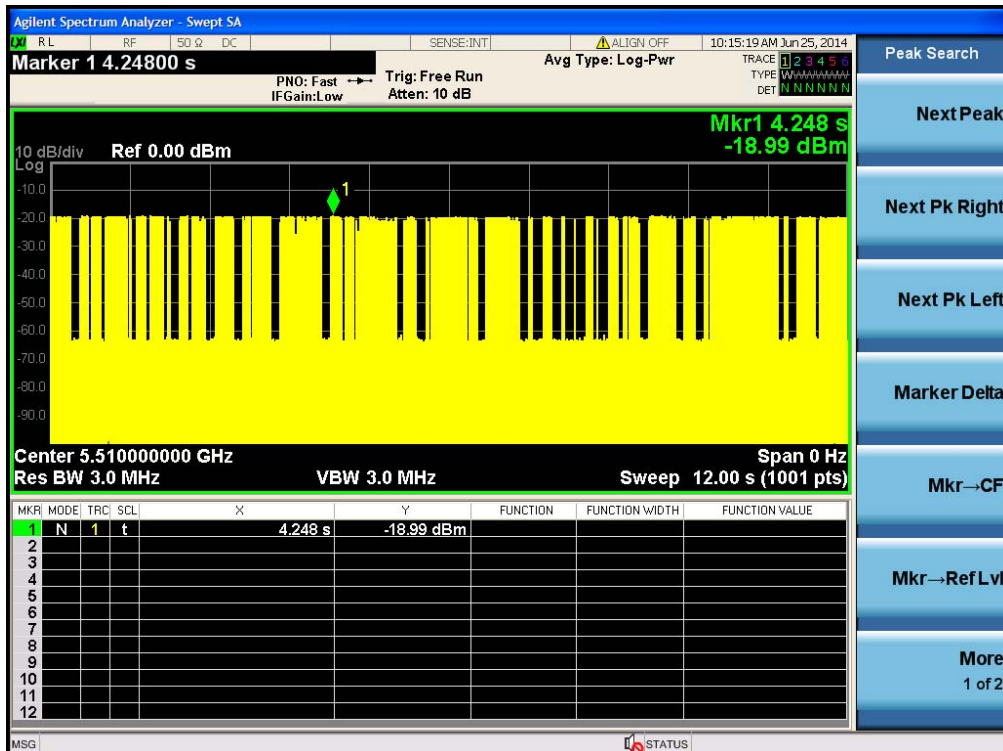
(Master) Data Traffic Plot (80 MHz)



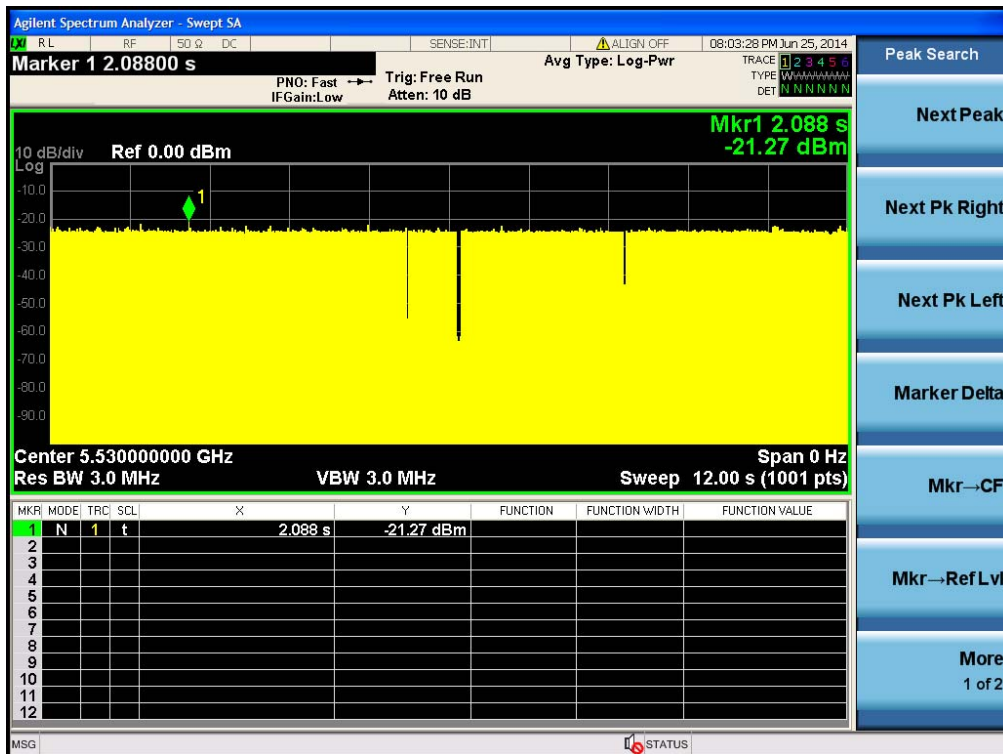
EUT (Slave) Data Traffic Plot (20MHz)



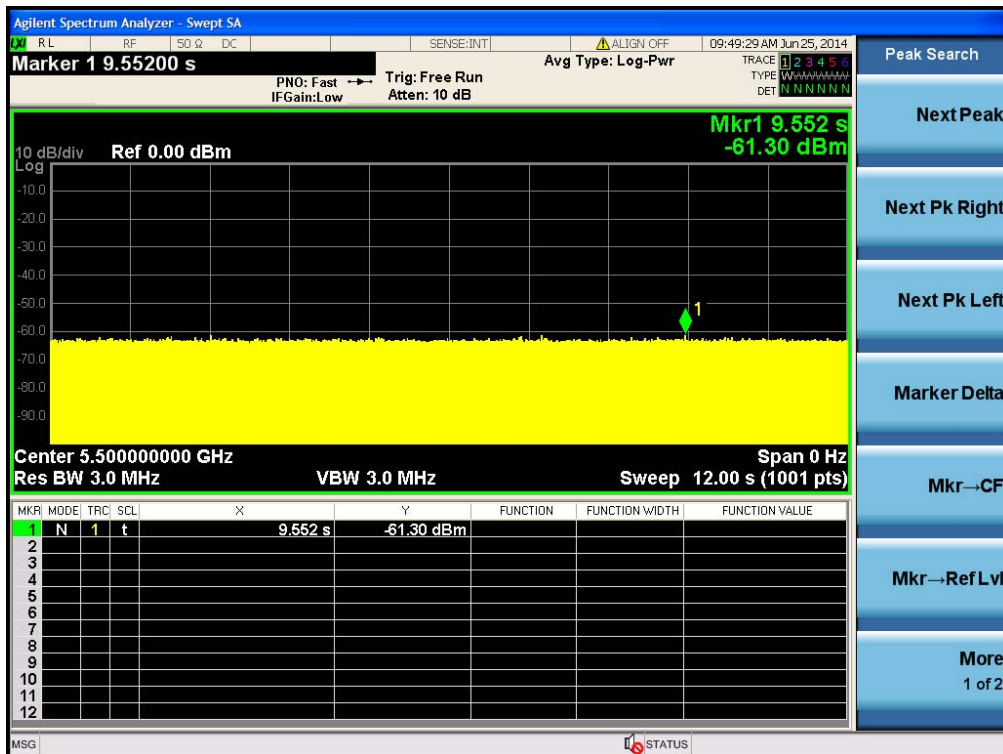
EUT (Slave) Data Traffic Plot (40MHz)



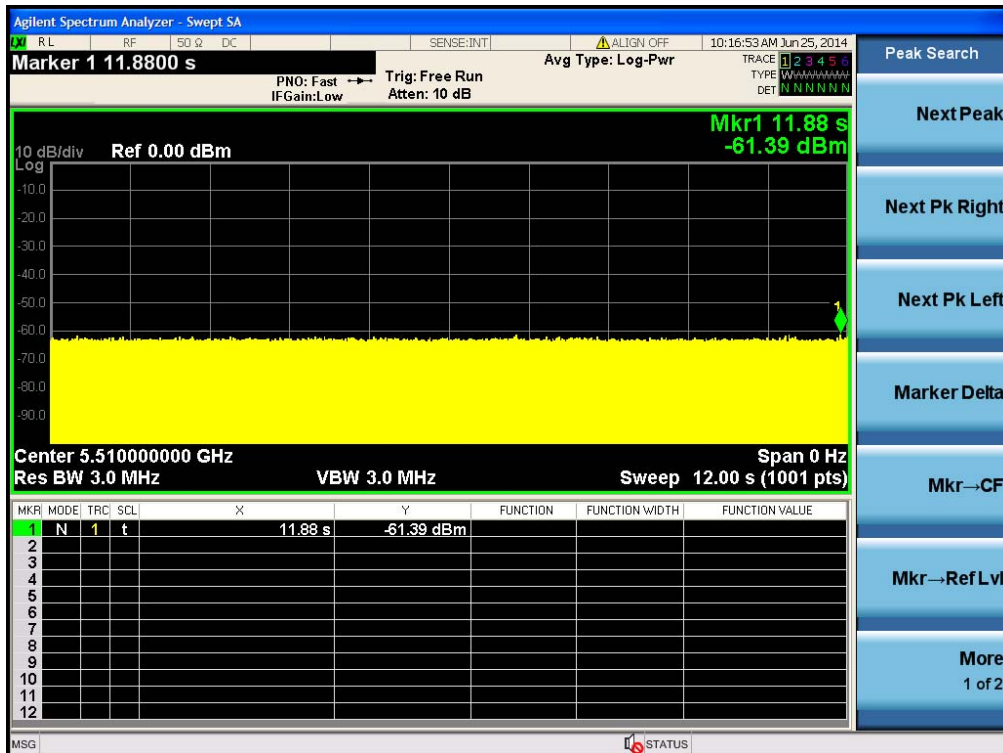
EUT (Slave) Data Traffic Plot (80MHz)



Without Data Traffic Plot (Noise Plot) (20MHz)



Without Data Traffic Plot (Noise Plot) (40MHz)



Without Data Traffic Plot (Noise Plot) (80MHz)



5.1.2. Supporting Units

Support Units	Brand	Model No.	Serial No.	FCC ID	Software Version
Notebook	DELL	M1340	NB-2	E2KWM3945ABG	Win XP SP2
Notebook	DELL	E6220	NB-7	DoC	Win XP SP2
Wireless ac AP	Motorola	RAAP-800	AP-1	UZ7RAAP800	5.5.3.1-202592X

5.1.3. Test Setup Operation

System testing was performed with the designated MPEG test file that streams full motion video from the Access Point to the Client in full motion video mode using the media player with the V2.61 Codec package. This file is used by IP and Frame based systems for loading the test channel during the In-service compliance testing of the U-NII device.

The waveform parameters from within the bounds of the signal type are selected randomly using uniform distribution.

A spectrum analyzer is used as a monitor to verify that the EUT has vacated the Channel within the (Channel Closing Transmission Time and Channel Move Time, and does not transmit on a Channel during the Non-Occupancy Period after the detection and Channel move. It is also used to monitor EUT transmissions during the Channel Availability Check Time.

5.2. In-Service Monitoring for Channel Move Time, Channel Closing Transmission Time and Non-Occupancy Period Measurement

5.2.1. Limit

The EUT has In-Service Monitoring function to continuously monitor the radar signals, If radar is detected, must leave the channel (Shutdown). The Channel Move Time to cease all transmissions on the current Channel upon detection of a Radar Waveform above the DFS Detection Threshold within 10 sec. The total duration of Channel Closing Transmission Time is 260ms, consisting of data signals and the aggregate of control signals, by a U-NII device during the Channel Move Time. The Non-Occupancy Period time is 30 minute during which a Channel will not be utilized after a Radar Waveform is detected on that Channel.

5.2.2. Test Procedures

1. When a radar Burst with a level equal to the DFS Detection Threshold + 1dB is generated on the Operating Channel of the U-NII device. A U-NII device operating as a Client Device will associate with the Master at Channel. Stream the MPEG test file from the Master Device to the Client Device on the selected Channel for the entire period of the test. At time T₀ the Radar Waveform generator sends a Burst of pulses for each of the radar types at Detection Threshold + 1dB.
2. Observe the transmissions of the EUT at the end of the radar Burst on the Operating Channel. Measure and record the transmissions from the EUT during the observation time (Channel Move Time). One 12 second plot been reported for the Short Pulse Radar Types 1 and one for the Long Pulse Radar Type test in a 22 second plot. The plot for the Short Pulse Radar Types start at the end of the radar burst. The *Channel Move Time* will be calculated based on the plot of the Short Pulse Radar Type. The Short Pulse Radar Type plot show the device ceased transmissions within the 10 second window after detection has occurred. The plot for the Long Pulse Radar Type should start at the beginning of the 12 second waveform.
3. Measurement of the aggregate duration of the Channel Closing Transmission Time method. With the spectrum analyzer set to zero span tuned to the center frequency of the EUT operating channel at the radar simulated frequency, peak detection, and max hold, the dwell time per bin is given by: $Dwell = S / B$; where **Dwell** is the dwell time per spectrum analyzer sampling bin, **S** is the sweep time and **B** is the number of spectrum analyzer sampling bins. An upper bound of the aggregate duration of the intermittent control signals of *Channel Closing Transmission Time* is calculated by: $C = N \times Dwell$; where **C** is the Closing Time, **N** is the number of spectrum analyzer sampling bins (intermittent control signals) showing a U-NII transmission and **Dwell** is the dwell time per bin.
4. Measure the EUT for more than 30 minutes following the channel close/move time to verify that the EUT does not resume any transmissions on this Channel.

5.2.3. Test Deviation

There is no deviation with the original standard.

5.2.4. Result of Channel Move Time, Channel Closing Transmission Time and Non-Occupancy Period

For 20MHz

Parameter	Test Result	Limit
	Type 1	
Test Channel (MHz)	5500 MHz	-
Channel Move Time (sec.)	0.504	< 10s
Channel Closing Transmission Time (ms) (Note)	18.98	< 60ms
Non-Occupancy Period (min.)	≥ 30	≥ 30 min

Note: The Channel Closing Transmission Time is comprised of 200 milliseconds starting at the beginning of the Channel Move Time plus any additional intermittent control signals required to facilitate a Channel move (an aggregate of 60 milliseconds) during the remainder of the 10 seconds period. The aggregate duration of control signals will not count quiet periods in between transmissions.

For 40MHz

Parameter	Test Result	Limit
	Type 1	
Test Channel (MHz)	5510 MHz	-
Channel Move Time (sec.)	0.48	< 10s
Channel Closing Transmission Time (ms) (Note)	16.98	< 60ms
Non-Occupancy Period (min.)	≥ 30	≥ 30 min

Note: The Channel Closing Transmission Time is comprised of 200 milliseconds starting at the beginning of the Channel Move Time plus any additional intermittent control signals required to facilitate a Channel move (an aggregate of 60 milliseconds) during the remainder of the 10 seconds period. The aggregate duration of control signals will not count quiet periods in between transmissions.

For 80MHz

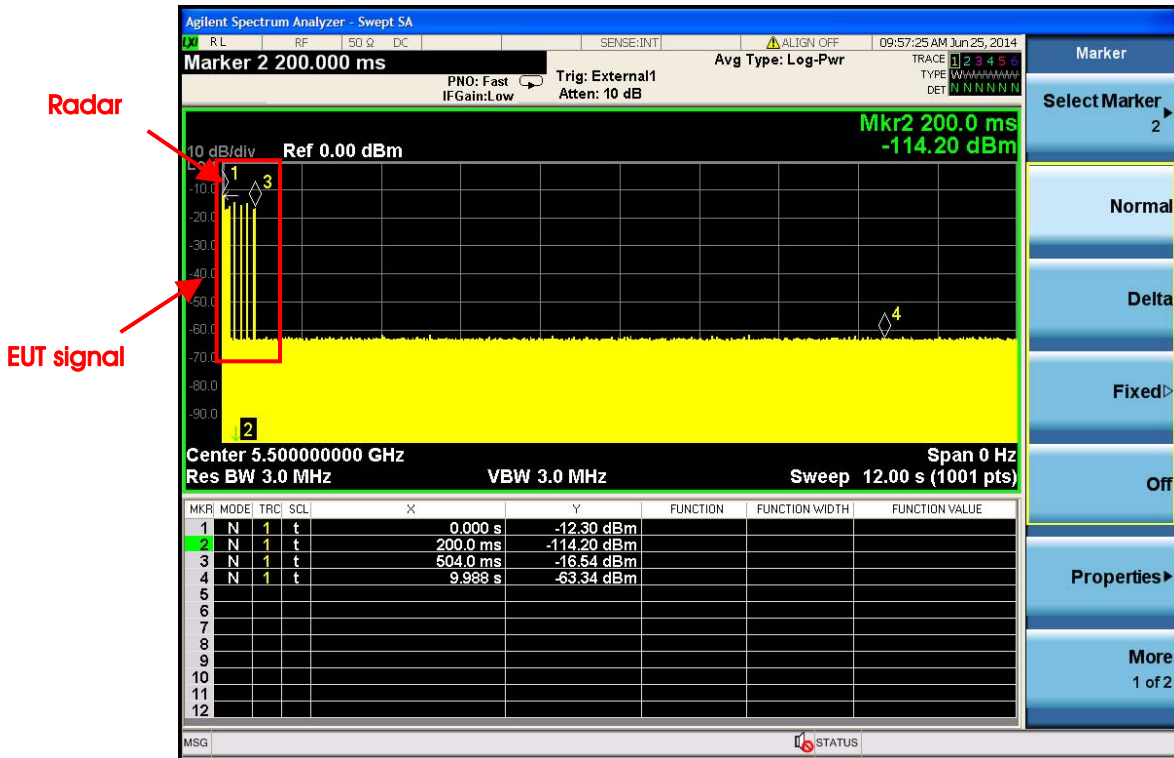
Parameter	Test Result	Limit
	Type 1	
Test Channel (MHz)	5530 MHz	-
Channel Move Time (sec.)	0.432	< 10s
Channel Closing Transmission Time (ms) (Note)	20.98	< 60ms
Non-Occupancy Period (min.)	≥ 30	≥ 30 min

Note: The Channel Closing Transmission Time is comprised of 200 milliseconds starting at the beginning of the Channel Move Time plus any additional intermittent control signals required to facilitate a Channel move (an aggregate of 60 milliseconds) during the remainder of the 10 seconds period. The aggregate duration of control signals will not count quiet periods in between transmissions.

5.2.5. Channel Move Time Plot

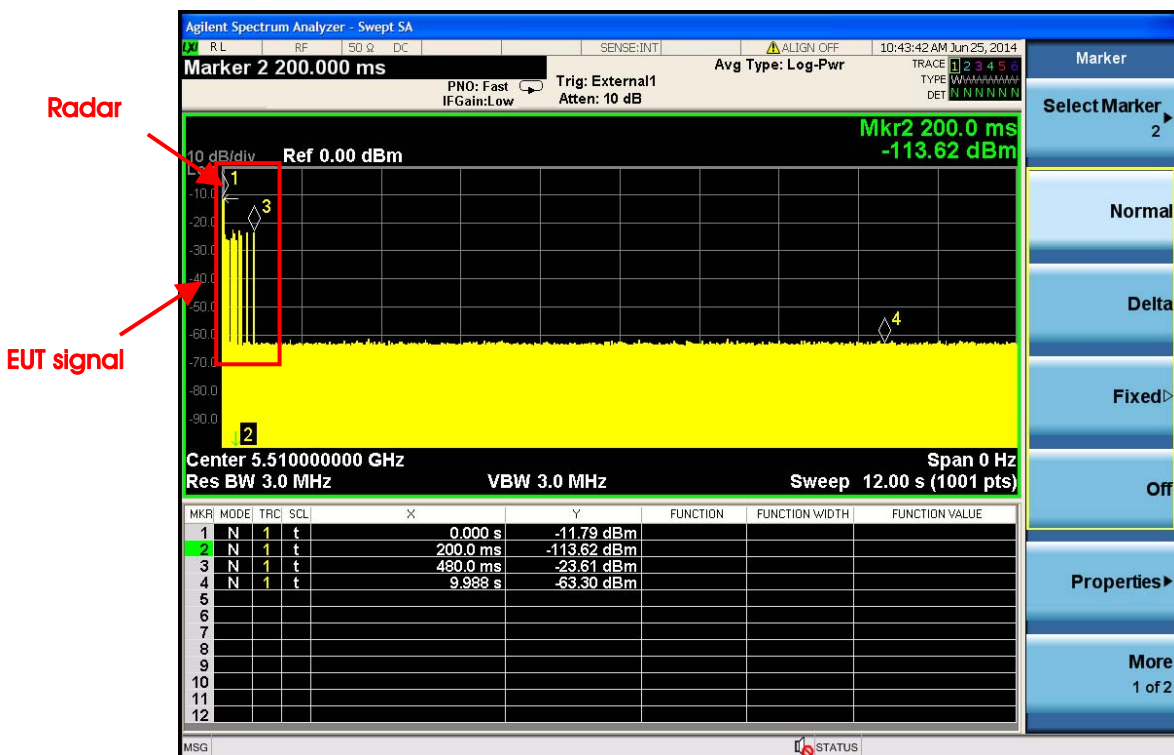
For 20MHz

Radar #1 Channel Move Time



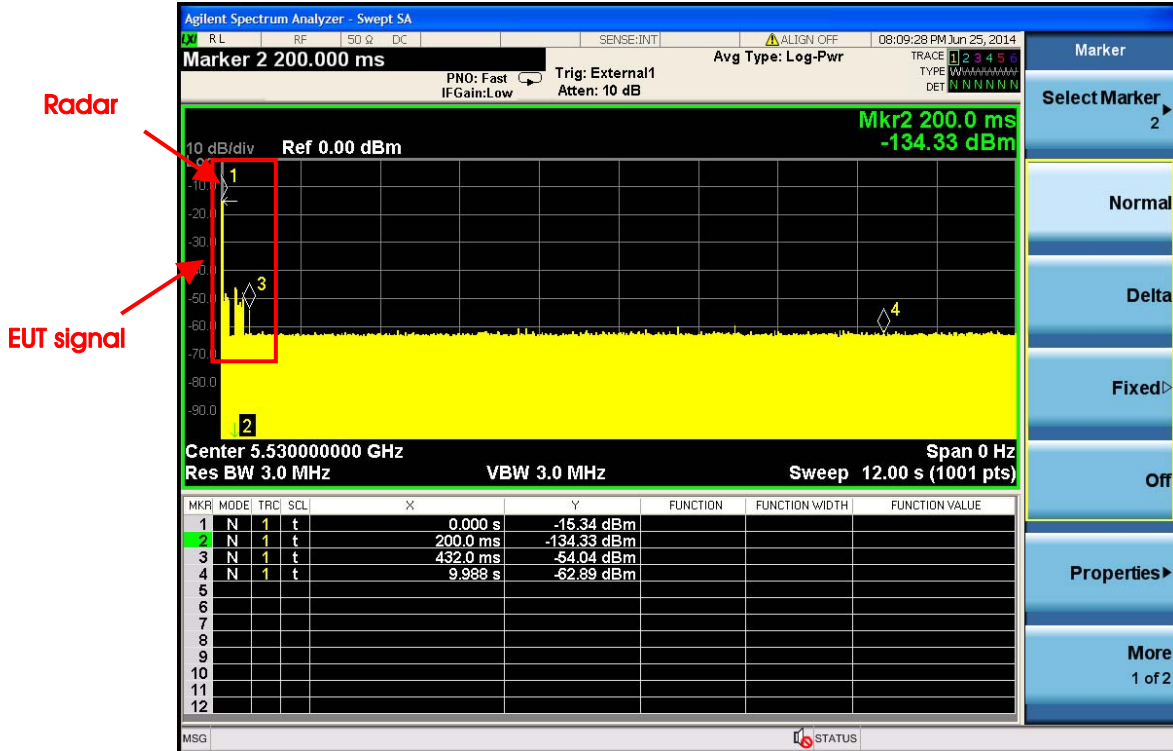
For 40MHz

Radar #1 Channel Move Time



For 80MHz

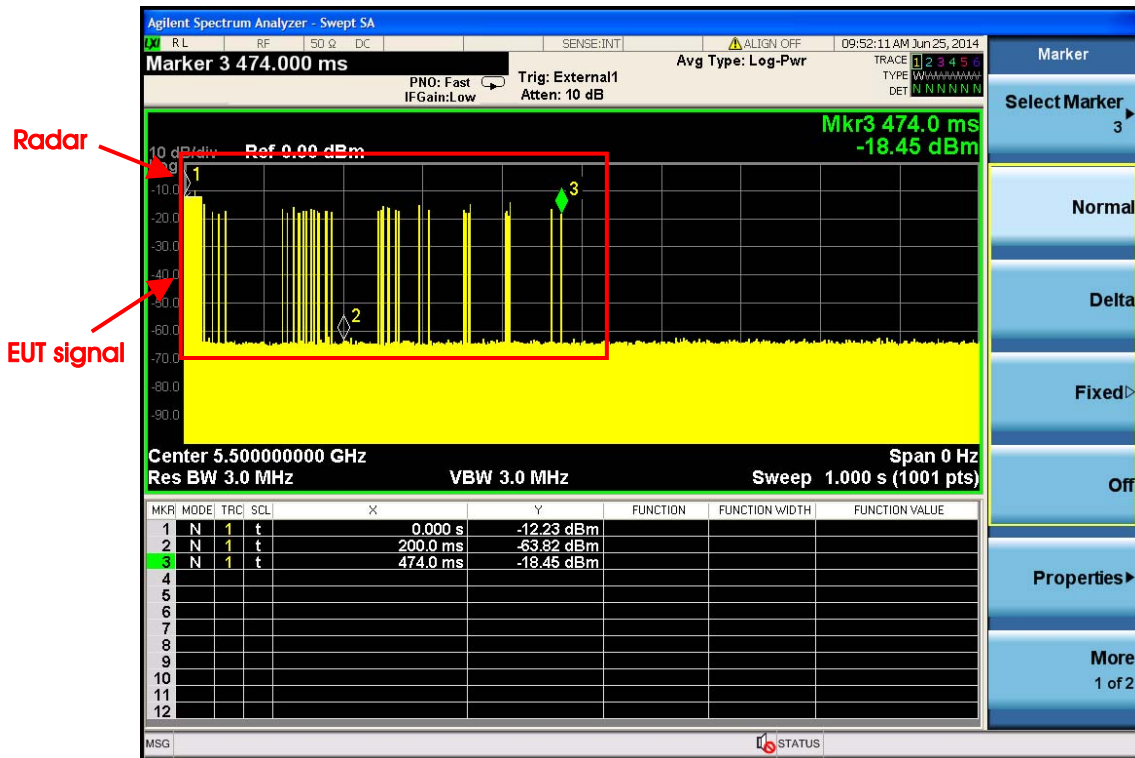
Radar #1 Channel Move Time



5.2.6. Channel Closing Transmission Time Plot

For 20MHz

Radar #1 Channel Closing Transmission Time is comprised of 200 ms starting at the beginning of the Channel Move Time plus 60ms additional intermittent control signals



Dwell is the dwell time per spectrum analyzer sampling bin.

S is the sweep time

B is the number of spectrum analyzer sampling bins

C is the intermittent control signals of Channel Closing Transmission Time

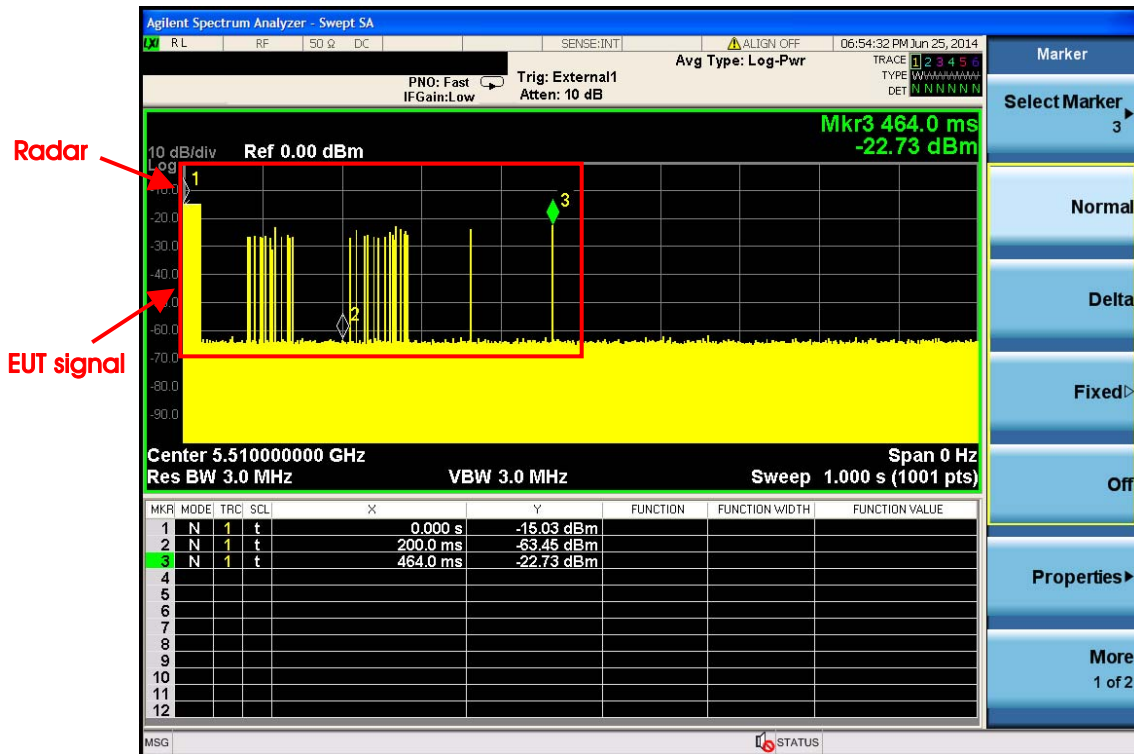
N is the number of spectrum analyzer sampling bins (intermittent control signals) showing a U-NII transmission

$$\text{Dwell (0.999001 ms)} = S (1000 \text{ ms}) / B (1001)$$

$$C (18.98 \text{ ms}) = N (19) \times \text{Dwell (0.999001 ms)}$$

For 40MHz

Radar #1 Channel Closing Transmission Time is comprised of 200 ms starting at the beginning of the Channel Move Time plus 60ms additional intermittent control signals



Dwell is the dwell time per spectrum analyzer sampling bin.

S is the sweep time

B is the number of spectrum analyzer sampling bins

C is the intermittent control signals of Channel Closing Transmission Time

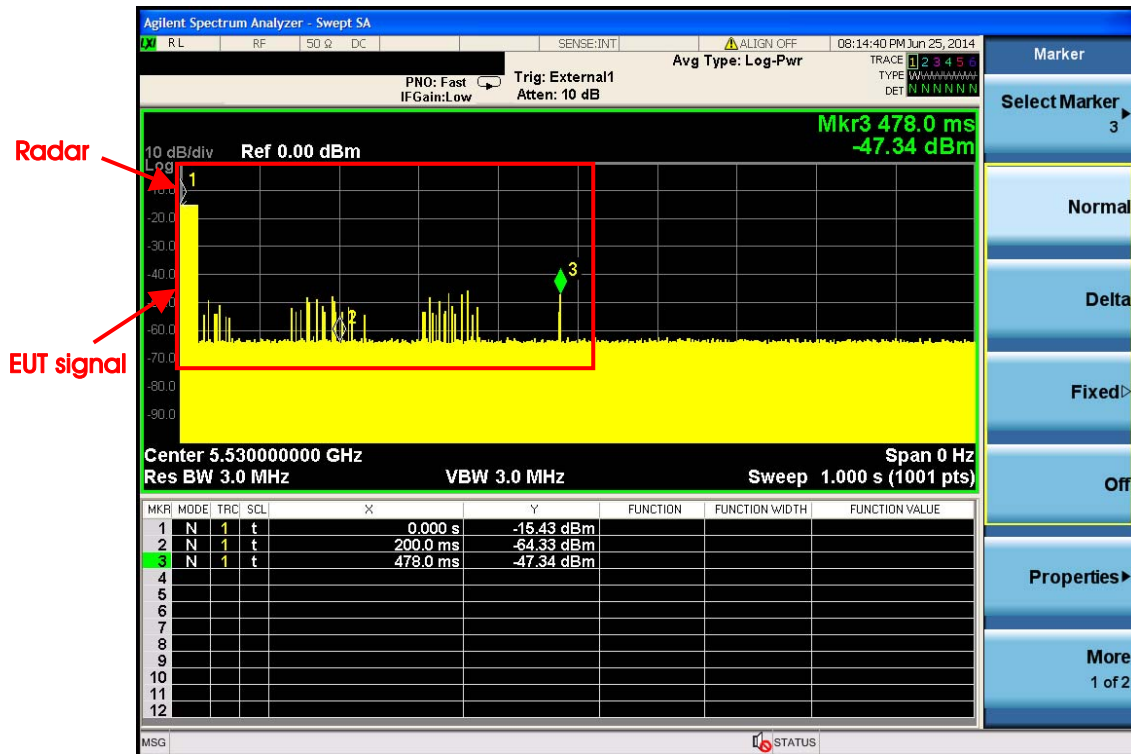
N is the number of spectrum analyzer sampling bins (intermittent control signals) showing a U-NII transmission

$$\text{Dwell (0.999001 ms)} = S (1000 \text{ ms}) / B (1001)$$

$$C (16.98 \text{ ms}) = N (17) \times \text{Dwell (0.999001 ms)}$$

For 80MHz

Radar #1 Channel Closing Transmission Time is comprised of 200 ms starting at the beginning of the Channel Move Time plus 60ms additional intermittent control signals



Dwell is the dwell time per spectrum analyzer sampling bin.

S is the sweep time

B is the number of spectrum analyzer sampling bins

C is the intermittent control signals of Channel Closing Transmission Time

N is the number of spectrum analyzer sampling bins (intermittent control signals) showing a U-NII transmission

$$\text{Dwell (0.999001 ms)} = S (1000 \text{ ms}) / B (1001)$$

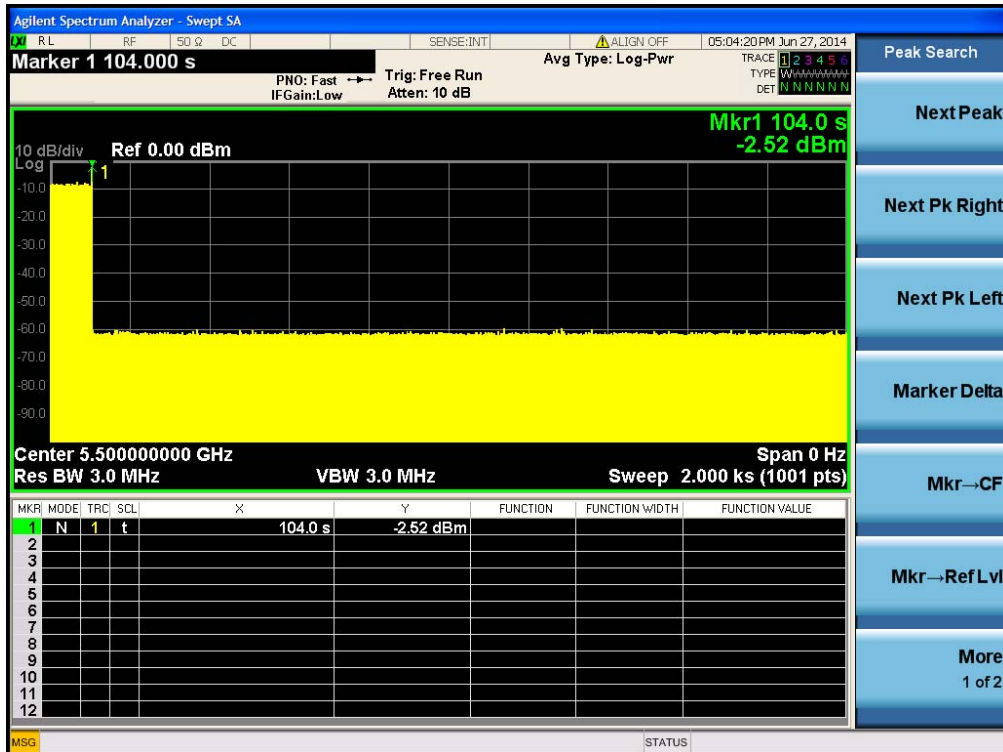
$$C (20.98 \text{ ms}) = N (21) \times \text{Dwell (0.999001 ms)}$$

5.2.7. Non-Occupancy Period Plot

For 20MHz

Non-Occupancy Period

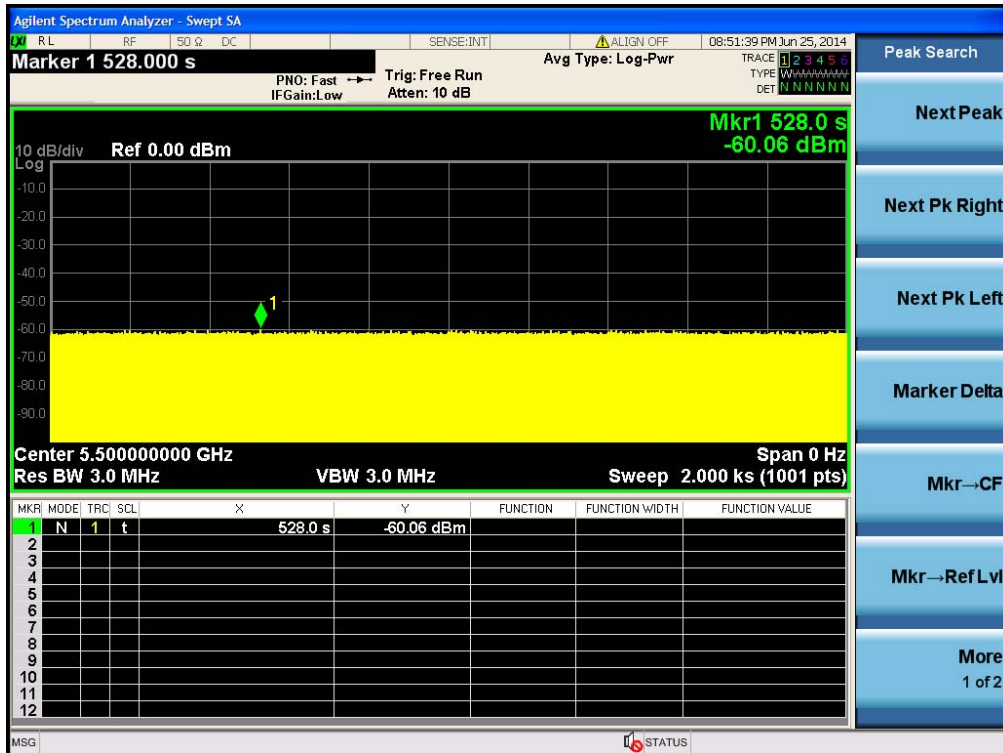
During the 30 minutes observation time, UUT did not make any transmissions on a channel after a radar signal was detected on that channel by either the Channel Availability Check or the In-Service Monitoring.



Non-associated test

Master was off.

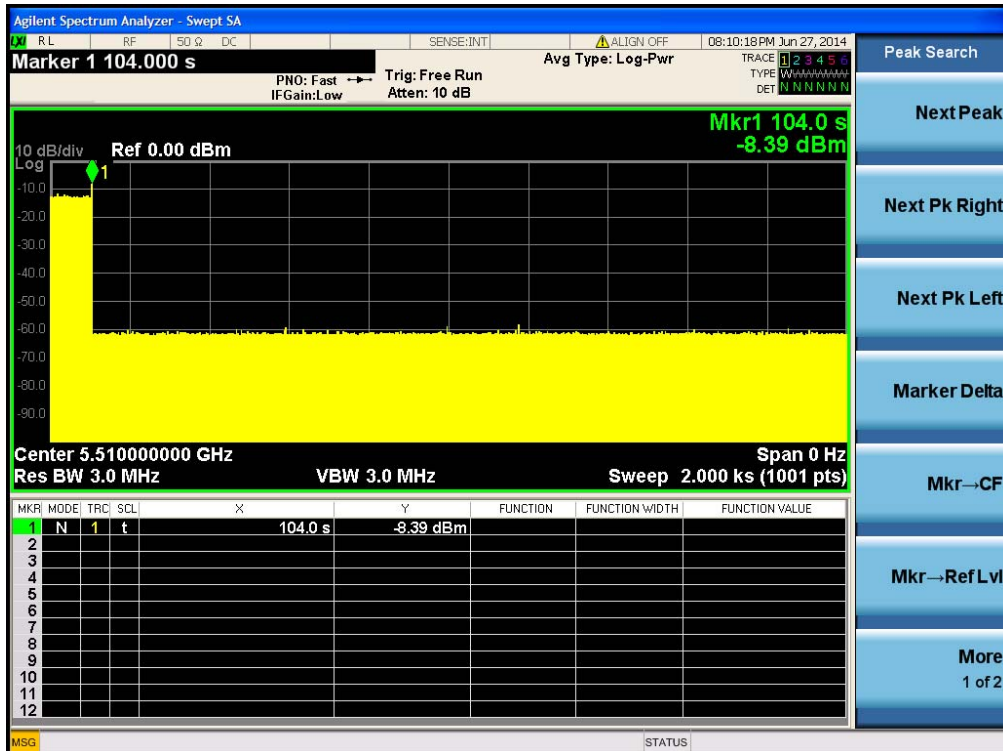
During the 30 minutes observation time, The UUT did not make any transmissions in the DFS band after UUT power up.



For 40MHz

Non-Occupancy Period

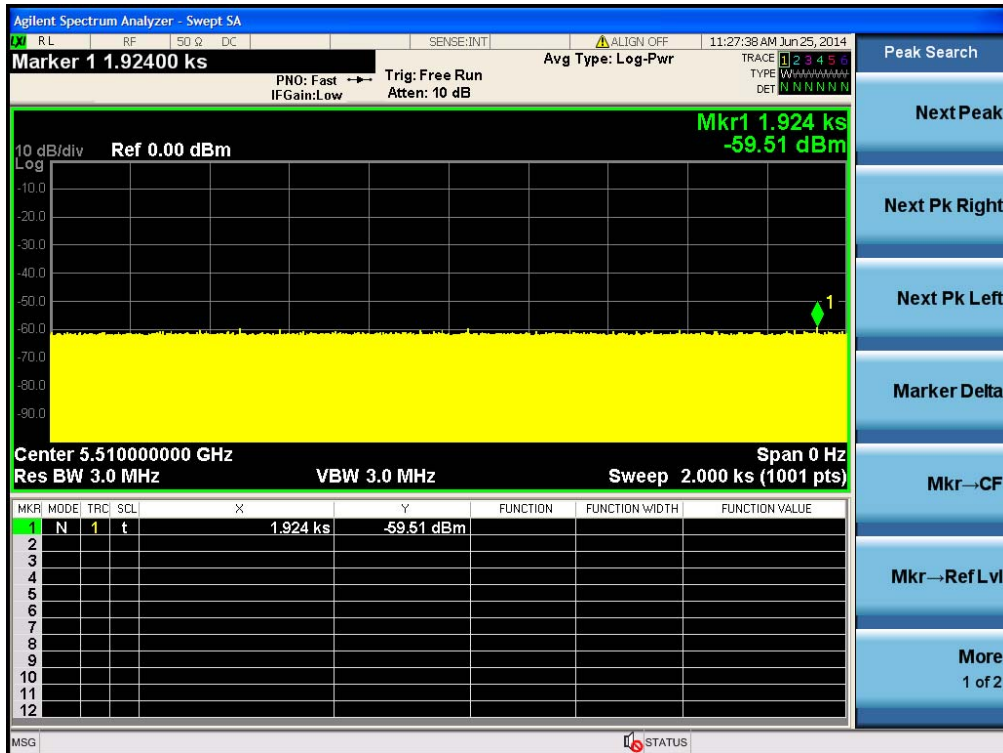
During the 30 minutes observation time, UUT did not make any transmissions on a channel after a radar signal was detected on that channel by either the Channel Availability Check or the In-Service Monitoring.



Non-associated test

Master was off.

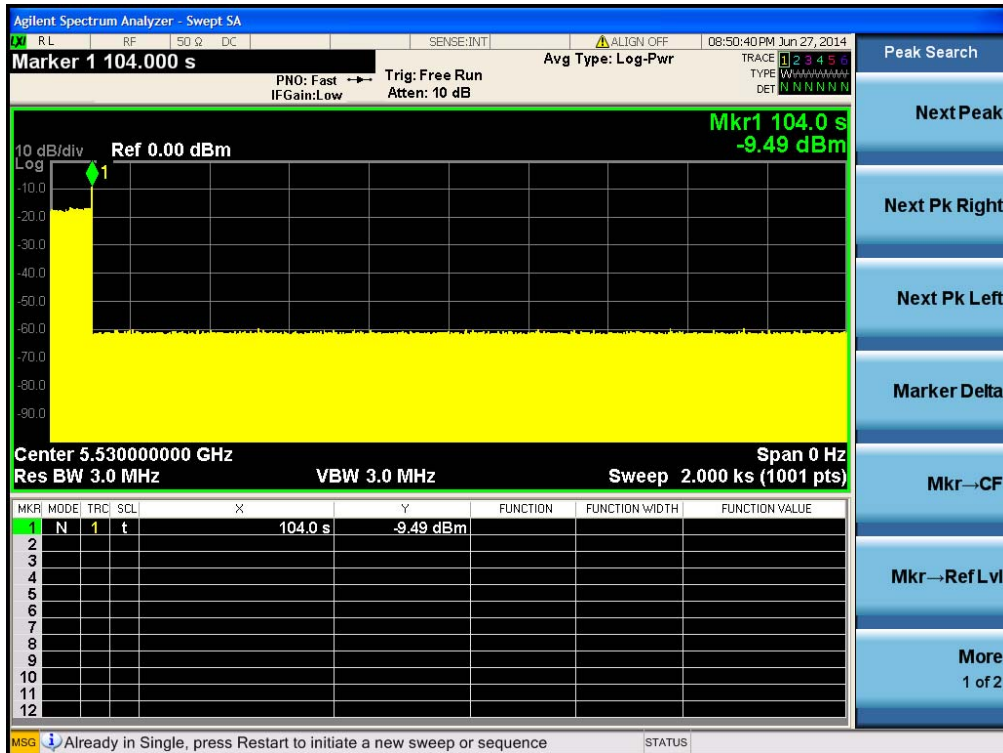
During the 30 minutes observation time, The UUT did not make any transmissions in the DFS band after UUT power up.



For 80MHz

Non-Occupancy Period

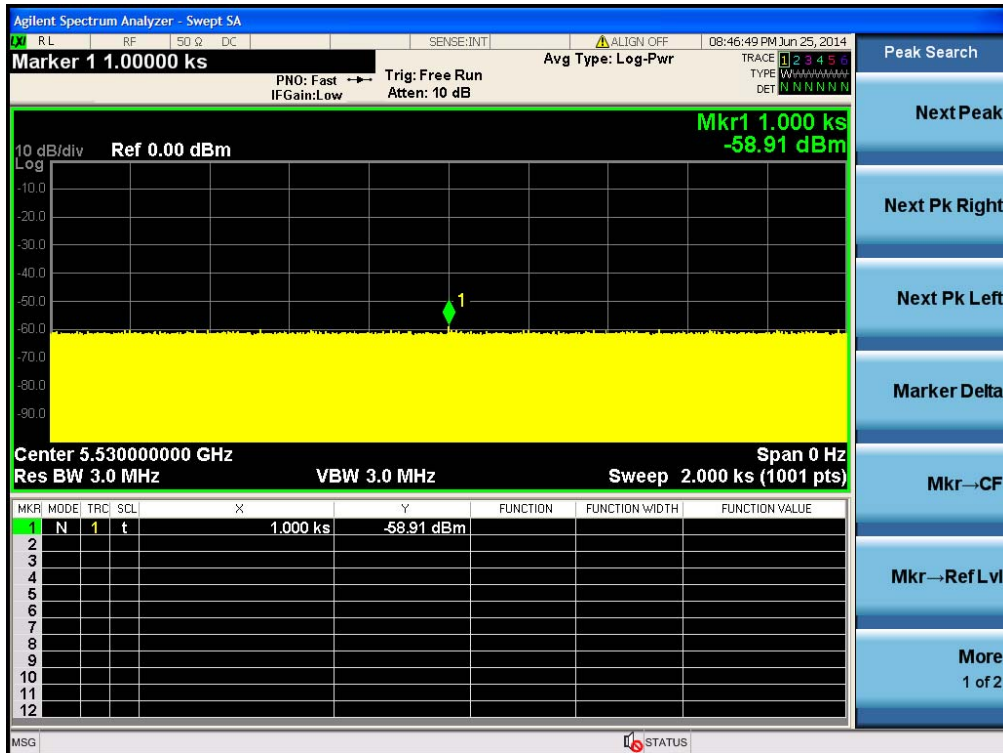
During the 30 minutes observation time, UUT did not make any transmissions on a channel after a radar signal was detected on that channel by either the Channel Availability Check or the In-Service Monitoring.



Non-associated test

Master was off.

During the 30 minutes observation time, The UUT did not make any transmissions in the DFS band after UUT power up.



6. LIST OF MEASURING EQUIPMENTS

Instrument	Manufacturer	Model No.	Serial No.	Characteristics	Calibration Date	Remark
Signal analyzer	Agilent	N9010A	MY52220519	10Hz~44GHz	Dec. 11, 2013	Conducted (TH01-CB)
RF Power Divider	Woken	2 Way	0120A02056002D	2GHz ~ 18GHz	Nov. 17, 2013	Conducted (TH01-CB)
RF Power Divider	Woken	3 Way	MDC2366	2GHz ~ 18GHz	Nov. 17, 2013	Conducted (TH01-CB)
RF Power Divider	Woken	4 Way	0120A04056002D	2GHz ~ 18GHz	Nov. 17, 2013	Conducted (TH01-CB)
Signal generator	R&S	SMU200A	102782	25MHz-6GHz	Nov. 15, 2013	Conducted (TH01-CB)
RF Cable-high	Woken	High Cable-7	-	1 GHz – 26.5 GHz	Nov. 17, 2013	Conducted (TH01-CB)
RF Cable-high	Woken	High Cable-8	-	1 GHz – 26.5 GHz	Nov. 17, 2013	Conducted (TH01-CB)
RF Cable-high	Woken	High Cable-9	-	1 GHz – 26.5 GHz	Nov. 17, 2013	Conducted (TH01-CB)
RF Cable-high	Woken	High Cable-10	-	1 GHz – 26.5 GHz	Nov. 17, 2013	Conducted (TH01-CB)
RF Cable-high	Woken	High Cable-11	-	1 GHz – 26.5 GHz	Nov. 17, 2013	Conducted (TH01-CB)
Power Sensor	Anritsu	MA2411B	1126203	300MHz~40GHz	Sep. 30, 2013	Conducted (TH01-CB)
Power Meter	Anritsu	ML2495A	1210004	300MHz~40GHz	Sep. 30, 2013	Conducted (TH01-CB)

Note: Calibration Interval of instruments listed above is one year.

7. MEASUREMENT UNCERTAINTY

Test Items	Uncertainty	Remark
Conducted Emission	1.7 dB	Confidence levels of 95%