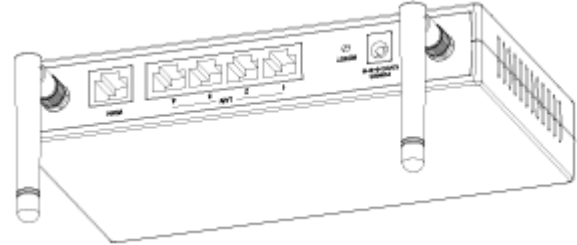
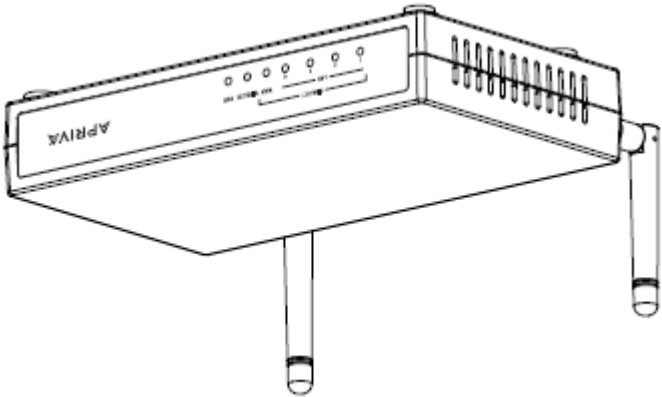




72-121345-01  
Revision A March 2009

<http://www.motorola.com>  
SCHAUMBURG, IL60196  
1303 E ALGONQUIN ROAD  
MOTOROLA, INC.



## AP-5900-30022-WR Access Point

Refer to the back of the AP-5900-30022-WR Access Point for the power, LAN (1 - 4) and WAN connectors used in the physical cabling and deployment of the Access Point. Use only a Motorola/Symbol approved power supply output rated at 12 Vdc and minimum 1 A. The Access Point's external reset switch reverts the Access Point's configuration to default values. The switch does not reset the system, just the Access Point.

### Connectors

LED	Solid Green	Off	Blinking Green
Power	Unit powered	Unit not powered	Not applicable
Wireless	Link up	Link down	Activity detected
WAN	Link up	Link down	Activity detected
LAN1	Link up	Link down	Activity detected
LAN2	Link up	Link down	Activity detected
LAN3	Link up	Link down	Activity detected
LAN4	Link up	Link down	Activity detected

### To the Installer

This guide is intended to assist the technician responsible for installing the AP-5900-30022-WR Access Point. The AP-5900-30022-WR is a custom commercial AP/router. The Access Point is compatible with IEEE802.11b/g standards and operates with a maximum data rate of 54 Mbps.

Antennas used with this wireless device must cover the 2.4GHz to 2.5GHz frequency band to adequately support 802.11b/g operation.

This guide assumes the installing technician is familiar with basic Ethernet LAN-based networking concepts. This guide does not give site-specific installation instructions. For detailed site specific installation procedures, see the site-specific documentation derived from the site survey and the site's network analysis.

### Document Conventions

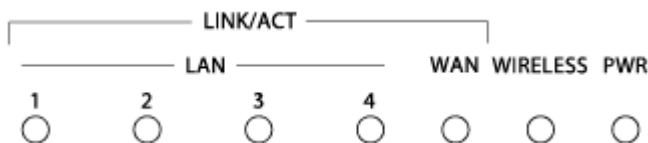
Note the following icon conventions that are used throughout the document

Indicates tips, hints and special requirements.

Care is required. Disregarding cautions can cause data loss or equipment damage.

Indicates a potentially dangerous condition or procedure that only Motorola-trained personnel should attempt to correct or perform.

### LED Indicators



The Wireless LED's blink rate is proportional to the data rate at which data is transmitted and received over the Access Point's wireless link.

In addition to the LEDs, the Access Point has an external switch to reset the configuration to default values. The switch does not reset the system, just the Access Point.

### Regulatory Information

This device is approved under the Symbol Technologies brand: Symbol Technologies, Inc., is the Enterprise Mobility business of Motorola, Inc. ("Motorola").

All Motorola/Symbol devices are designed to be compliant with rules and regulations in locations they are sold and will be labeled as required.

Local language translations are available at the following website:  
<http://support.symbol.com>

Any changes or modifications to Motorola/Symbol Technologies equipment, not expressly approved by Motorola/Symbol Technologies, could void the user's authority to operate the equipment.

Motorola/Symbol devices are professionally installed, the radio frequency output power will not exceed the maximum allowable limit for the country of operation.

Antennas: Use only the supplied or an approved replacement antenna. Unauthorized antennas, modifications, or attachments could cause damage and may violate regulations.

## Wireless Device Country Approvals

Please refer to the *Declaration of Conformity* (DoC) for details of other country markings. This is available at <http://www2.symbol.com/doc/>.



Operation of the device without regulatory approval is illegal.

### Country Selection - Note for AP & Wireless Switch

Select only the country in which you are using the device. Any other selection will make the operation of this device illegal.

### Country Roaming - Note for Client / Mobile devices

This device incorporates the International Roaming feature (IEEE802.11d) which will ensure the product operates on the correct channels for the particular country of use.

### Frequency of Operation - FCC and IC

#### 2.4 GHz Only

The available channels for 802.11 b/g operation in the US are Channels 1 to 11. The range of channels is limited by firmware.

## Health and Safety Recommendations



### **Warnings for the use of Wireless Devices**

Please observe all warning notices with regard to the usage of wireless devices.

### **Potentially Hazardous Atmospheres - Fixed Installations**

You are reminded of the need to observe restrictions on the use of radio devices in fuel depots, chemical plants etc. and areas where the air contains chemicals or particles (such as grain, dust, or metal powders).



### Safety in Hospitals

Wireless devices transmit radio frequency energy and may affect medical electrical equipment. When installed adjacent to other equipment, it is advised to verify that the adjacent equipment is not adversely affected.

## Pacemakers

Pacemaker manufacturers recommended that a minimum of 15cm (6 inches) be maintained between a handheld wireless device and a pacemaker to avoid potential interference with the pacemaker. These recommendations are consistent with independent research and recommendations by Wireless Technology Research.

Persons with Pacemakers:

- Should ALWAYS keep the device more than 15cm (6 inches) from their pacemaker when turned ON.
- Should not carry the device in a breast pocket.
- Should use the ear furthest from the pacemaker to minimise the potential for interference.
- If you have any reason to suspect that interference is taking place, turn OFF your device.

## Other Medical Devices

Please consult your physician or the manufacturer of the medical device, to determine if the operation of your wireless product may interfere with the medical device.



### RF Exposure Guidelines

## Safety Information

### Reducing RF Exposure—Use Properly

Only operate the device in accordance with the instructions supplied.

## International

The device complies with internationally recognized standards covering human exposure to electromagnetic fields from radio devices.

## US and Canada

### Co-located statement

To comply with FCC RF exposure compliance requirement, the antenna used for this transmitter must not be co-located or operating in conjunction with any other transmitter/antenna except those already approved in this filling.

## Remote and Standalone Antenna Configurations

To comply with FCC RF exposure requirements, antennas that are mounted externally at remote locations or operating near users at stand-alone desktop of similar configurations must operate with a minimum separation distance of 20 cm from all persons.

## Power Supply

Use only a Motorola/Symbol approved power supply output rated at 12 Vdc and minimum 1 A. The power supply shall be Listed to UL/CSA 60950-1; and certified to IEC60950-1 and EN60950-1 with SELV outputs. Use of alternative power supply will invalidate any approval given to this device and may be dangerous.

## Radio Frequency Interference Requirements—FCC



This equipment has been tested and found to comply with the limits for a Class B digital device, pursuant to Part 15 of the FCC rules. These limits are designed to provide reasonable protection against harmful interference in a residential installation. This equipment generates, uses and can radiate radio frequency energy

and, if not installed and used in accordance with the instructions, may cause harmful interference to radio communications. However there is no guarantee interference will not occur in a particular installation. If this equipment does cause harmful interference to radio or television reception, which can be determined by turning the equipment off and on, the user is encouraged to correct the interference by one or more of the following measures:

- Reorient or relocate the receiving antenna
- Increase the separation between the equipment and receiver
- Connect the equipment into an outlet on a circuit different from that to which the receiver is connected
- Consult the dealer or an experienced radio/TV technician for help.

### Radio Transmitters (Part 15)

This device complies with Part 15 of the FCC Rules. Operation is subject to the following two conditions: (1) this device may not cause harmful interference, and (2) this device must accept any interference received, including interference that may cause undesired operation.

## Radio Frequency Interference Requirements – Canada

This Class B digital apparatus complies with Canadian ICES-003.

Cet appareil numérique de la classe B est conforme à la norme NMB-003 du Canada.

### Radio Transmitters

This device complies with RSS 210 of Industry & Science Canada. Operation is subject to the following two conditions: (1) this device may not cause harmful interference and (2) this device must accept any interference received, including interference that may cause undesired operation.

Label Marking: The Term "IC:" before the radio certification only signifies that Industry Canada technical specifications were met.

To reduce potential radio interference to other users, the antenna type and its gain should be so chosen that the equivalent isotropically radiated power (EIRP) is not more than that permitted for successful communication.

This device has been designed to operate with OMNI antennas having a maximum gain of 5 dBi. Omni or other types of antennas having a gain greater than 5 dBi are strictly prohibited for use with this device. The required antenna impedance is 50 ohms.

Copyright © 2009 by Motorola - All rights reserved.

Motorola and the Symbol logo are registered trademarks of Symbol Technologies, Inc. Other product names mentioned in this guide may be trademarks or registered trademarks of their respective companies and are hereby acknowledged.