



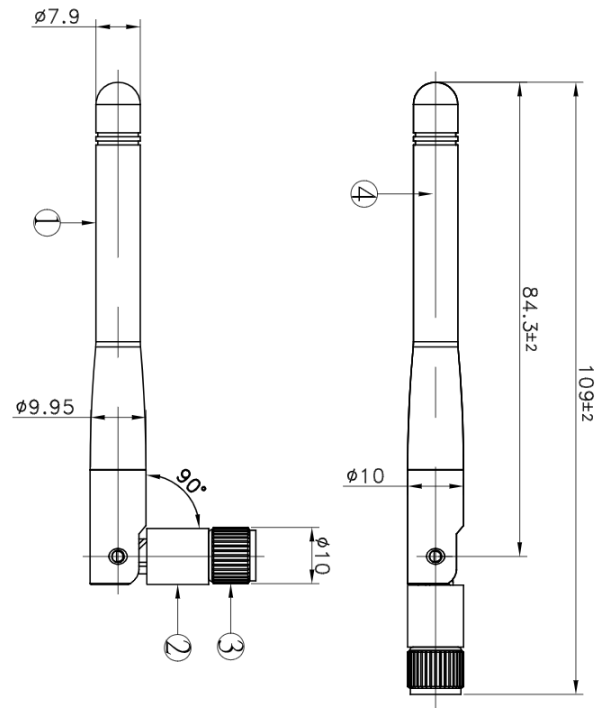
Part: 170847-000

Antenna for Bluetooth® wireless interfaces

Specifications:

Revision: 31 Aug 2022

A. Electrical Characteristics	
Frequency	2400-2500 MHz
Gain (dBi)	<= 1.55 @ 2400 MHz <= 1.48 @ 2410 MHz <= 1.62 @ 2420 MHz <= 2.04 @ 2430 MHz <= 2.03 @ 2440 MHz <= 1.99 @ 2450 MHz <= 2.12 @ 2460 MHz <= 2.16 @ 2470 MHz <= 1.77 @ 2480 MHz <= 1.56 @ 2490 MHz <= 1.40 @ 2500 MHz
Impedance	50 Ohm
B. Material & Mechanical Characteristics	
Material of Radiator	silver-coated copper wire
Connector Type	RP-SMA
Radome Color	170847-000: Black
C. Environmental	
Operation Temperature	-30 °C to +70 °C

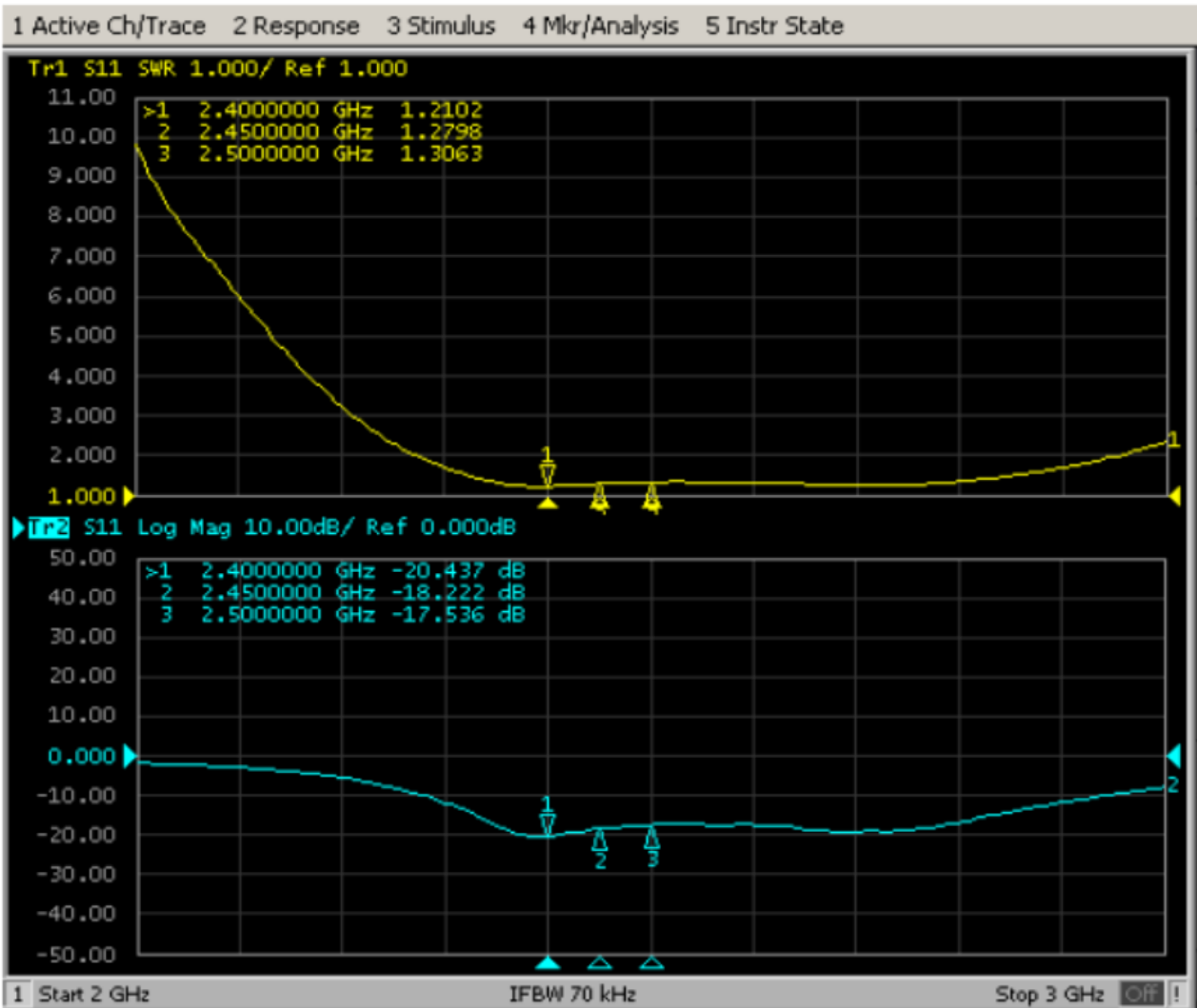


1111 W Jefferson St, Boise, ID 83702  
 Toll Free: 855.813.3385  
 Local: 208.424.5054  
 Fax: 208.429.6852

cradlepoint.com



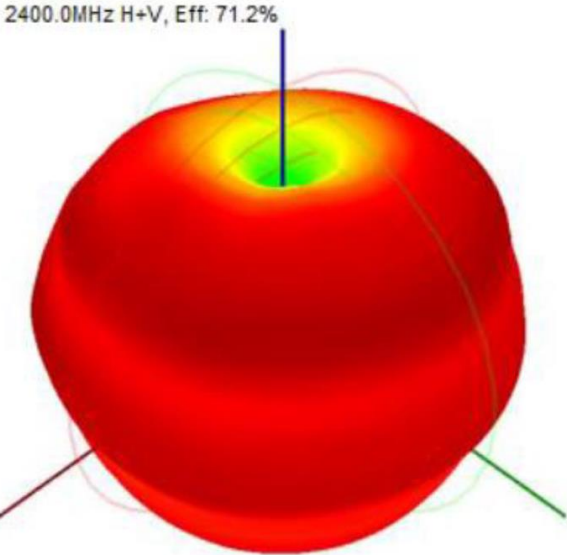
VSWR:





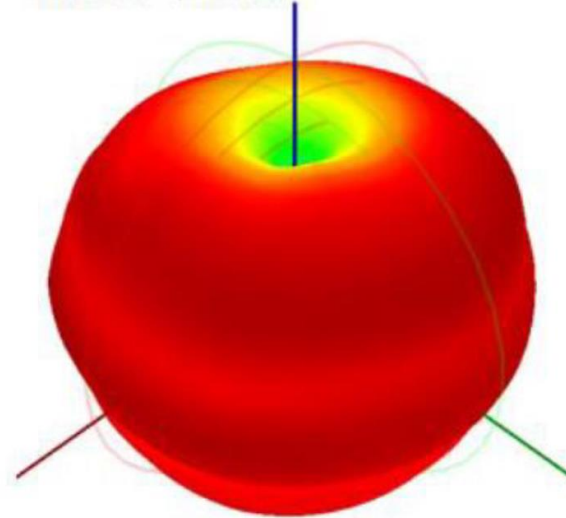
Antenna Patterns:

3D Radiation Pattern  
2400 MHz



### 3D Radiation Pattern 2450 MHz

2450.0MHz H+V, Eff: 73.3%



### 3D Radiation Pattern 2500 MHz

2500.0MHz H+V, Eff: 71.2%

