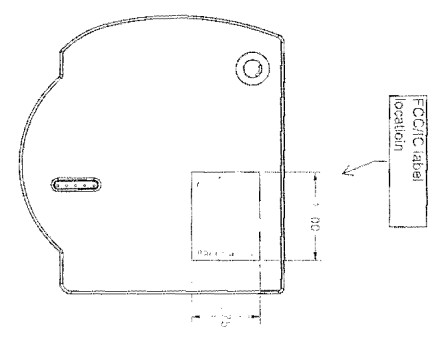
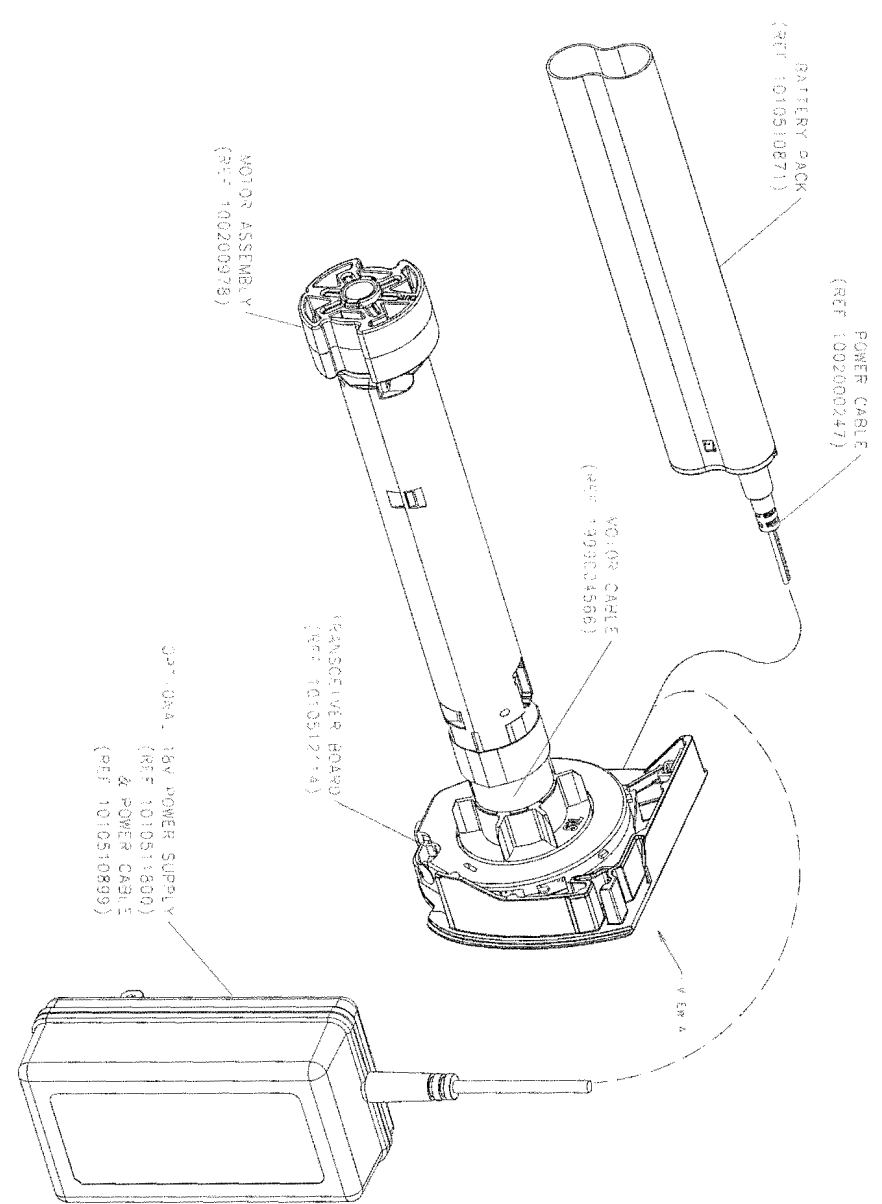


V-TWA

1. 2. 3. 4. 5. 6. 7. 8. 9. 10. 11. 12. 13. 14. 15. 16. 17. 18. 19. 20. 21. 22. 23. 24. 25. 26. 27. 28. 29. 30. 31. 32. 33. 34. 35. 36. 37. 38. 39. 40. 41. 42. 43. 44. 45. 46. 47. 48. 49. 50. 51. 52. 53. 54. 55. 56. 57. 58. 59. 60. 61. 62. 63. 64. 65. 66. 67. 68. 69. 70. 71. 72. 73. 74. 75. 76. 77. 78. 79. 80. 81. 82. 83. 84. 85. 86. 87. 88. 89. 90. 91. 92. 93. 94. 95. 96. 97. 98. 99. 100.

| REV | DATE | DESCRIPTION | DESIGN | CHECKED | DATE |
|-----|----------|-------------|--------|---------|------|
| 01 | 10/14/80 | INITIAL | DJA | | |
| 02 | 10/14/80 | REVISED | DJA | | |



| | | |
|---|-----|------------|
| REVISIONS
1. REVISED TO SHOW THE LOCATION OF THE MOTOR ASSEMBLY AND MOTOR CABLE.
2. REVISED TO SHOW THE LOCATION OF THE TRANSDUCER BOARD AND POWER SUPPLY.
3. REVISED TO SHOW THE LOCATION OF THE BATTERY PACK AND POWER CABLE.
4. REVISED TO SHOW THE LOCATION OF THE MOTOR ASSEMBLY AND MOTOR CABLE.
5. REVISED TO SHOW THE LOCATION OF THE TRANSDUCER BOARD AND POWER SUPPLY.
6. REVISED TO SHOW THE LOCATION OF THE BATTERY PACK AND POWER CABLE. | | |
| DATE | BY | REVISED BY |
| 10/14/80 | DJA | DJA |
| DRAWING NO. 1010512228
SHEET NO. 1 OF 2
PART NO. 1010512228 | | |