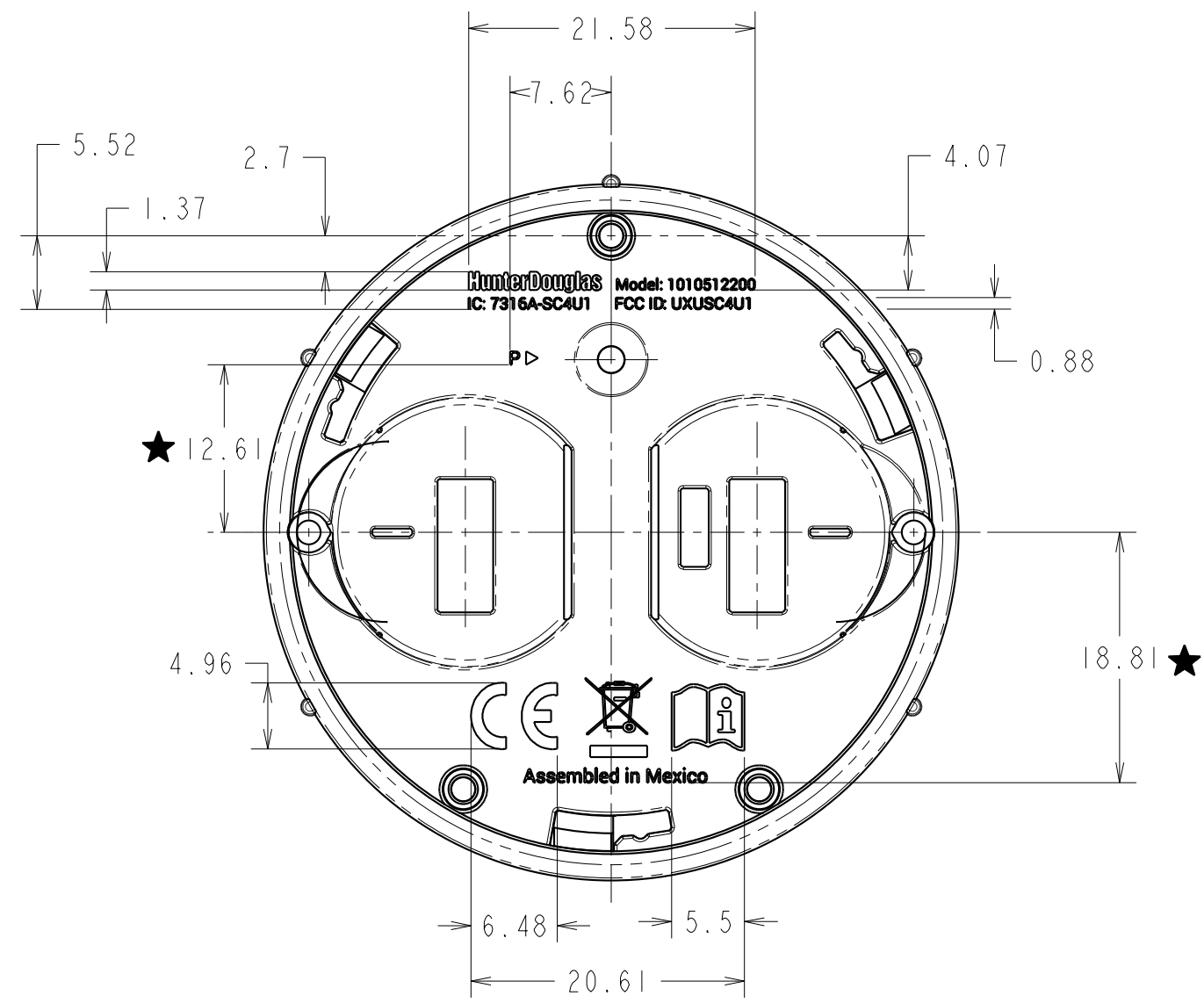


REV	DESCRIPTION	DATE	SIGN	APP.
1	ECO # 12518	5/11/15	EP	

- NOTES:
- 1 - SMK ENGINEERING DEPARTMENT APPROVAL IS NEEDED REGARDING COLOR, TONE, OR INK CHANGES.
  - 2 - DIMENSIONS MARKED ★ ARE CRITICAL AND MUST BE INSPECTED BY IQC.
  - 3 - TOLERANCE NOT DEFINED SHOULD BE + / - 0.13
  - 4 - DIMENSIONS NOT SPECIFIED PLEASE USE 3D DATA.
  - 5 - COLOR PRINTING: PANTONE COOL GRAY 3 C



- ENVIRONMENTAL NOTICE: (January 2006)
- Submit MSDS of use raw material before sample creation.
  - There do not contain the material as following in product or parts.
1. CADMIUM AND CADMIUM COMPOUNDS
  2. PBB (POLYBROMINATED BIPHENYLS) CATEGORY AND PBDE (POLYBROMINATED DIPHENYLETERS) CATEGORY.
  3. CHLORINATED PARAFFINS (CP) CHLORINE FLAME RETARDING MATERIALS/PLASTICS)
  4. POLYCHLORINATED BIPHENYLS (PCB) CATEGORY.
  5. POLYCHLORINATED NAPHTHALENES (PCN) CATEGORY.
  6. POLYCHLORINATED TERPHENYLS (PCT) CATEGORY.
  7. ORGANIC TIN COMPOUNDS (TRIBUTHYL TIN CATEGORY, TRIPHENYL TIN CATEGORY)
  8. ASBESTOS
  9. SPECIFIC AZO COMPOUNDS
  10. FORMALDEHYDE
  11. POLYVINYL CHLORIDE (PVC) AND PVC BLENDS.
  12. LEAD AND LEAD COMPOUND.
  13. MERCURY AND MERCURY COMPOUNDS.
  14. HEXAVALENT CHROMIUM COMPOUNDS.



UNIT: mm		SCALE: 2:1	DESCRIPTION	ISSUED
APPROVED	CHECKED	DESIGNED	BOTTOM HOUSING FCC PRINTING HD PV SC (WHITE)	
		5/11/15	DRAWING NO.	
		E. Pulido	101RXT-025-05	
<b>SMK Manufacturing, Inc.</b>		SIZE: B	SHEET: 1 OF 1	REV. 1