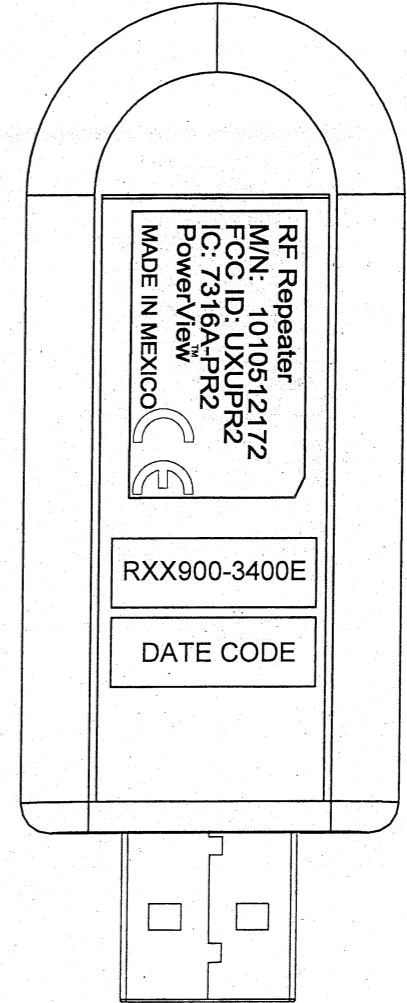
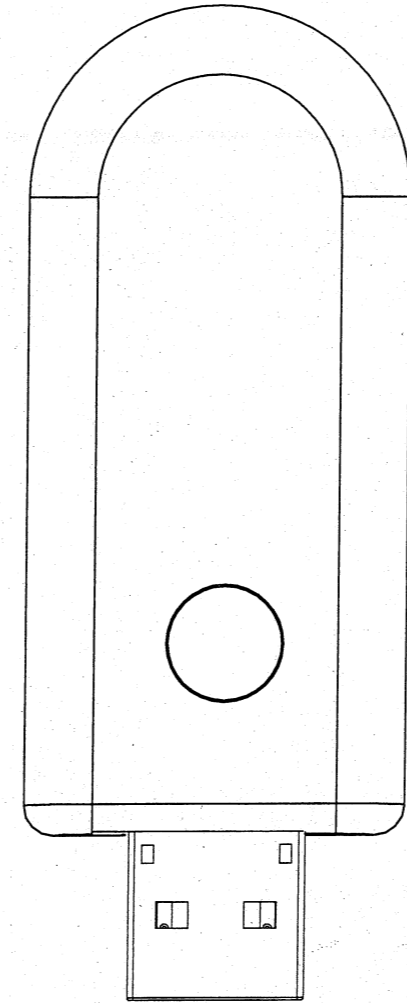
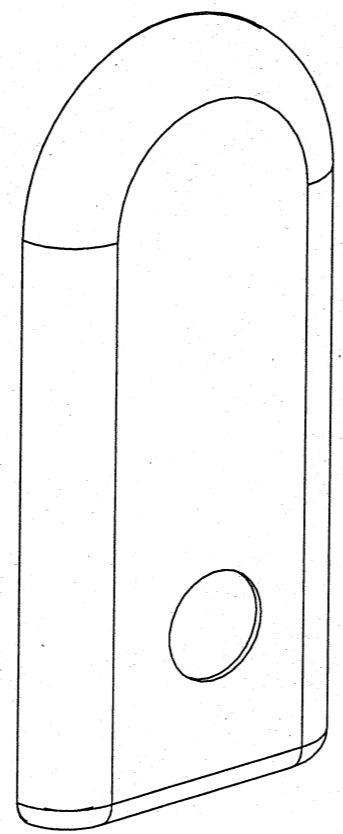
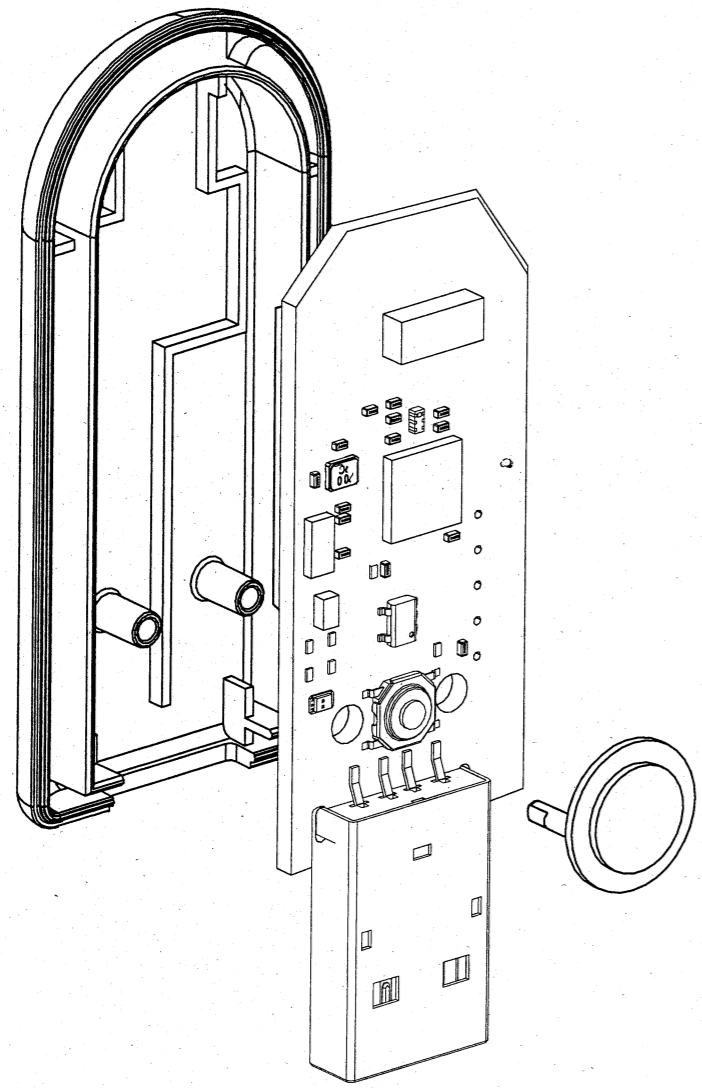


| REV | DESCRIPTION | DATE | SIGN | APP. |
|-----|-------------|-----------|------|--------------------|
| 1 | ECO#12255 | 2/11/2015 | AO | <i>[Signature]</i> |



RF Repeater
M/N: 1010512172
FCC ID: UXUPR2
IC: 7316A-PR2
PowerView
MADE IN MEXICO

RXX900-3400E

DATE CODE

Environmental Notice (January 2006)

- Submit MSDS of use raw material before sample creation.
- There do not contain the material as following in product or parts.

1. Cadmium and cadmium compound.
2. PBB(Polybrominated biphenyls) category and PBDE(Polybrominated diphenylethers) category.
3. Chlorinated paraffins (CP) Chlorine flame reterding material/plastics)
4. Polychlorinated biphenyls (PCB) category.
5. Polychlorinated naphthalenes (PCN) category.
6. Polychlorinated terphenyls (PCT) category.
7. Organic tin compounds(Tributyl tin category, Triphenyl tin category)
8. Asbestos
9. Specific azo compounds
10. Formaldehyde
11. Polyvinyl chloride (PVC) and PVC blends.
12. Lead and lead compound.
13. Mercury and mercury compounds.
14. Hexavalent chromium compounds.

RoHS Compliant

| | | | | | | |
|---------------------------|--|--------------------|---------|-------------------------|----------------------|---------------|
| 13 DIMENSIONS RANGE | TOLERANCES: UNLESS OTHERWISE SPECIFIED | UNIT: mm | | SCALE: NONE | DESCRIPTION | ISSUED |
| X < 1 | ±0.06 | APPROVED | CHECKED | DESIGNED | Final Assy | ISSUED |
| 1 < X ≤ 6 | ±0.10 | <i>[Signature]</i> | | Alejandro | PV Repeater Assembly | FEB 12 2015 |
| 6 < X ≤ 18 | ±0.15 | 2/11/2015 | | Ornelas | | |
| 18 < X ≤ 50 | ±0.20 | | | 2/9/2015 | | |
| 50 < X ≤ 120 | ±0.30 | | | | | |
| 120 < X ≤ 250 | ±0.40 | | | | | |
| 250 < X ≤ 500 | ±0.50 | | | | | |
| 500 < X | ±0.60 | | | | | |
| | | | | SMK Manufacturing, Inc. | SIZE: B | SHEET: 1 OF 1 |
| | | | | | | REV. 1 |