
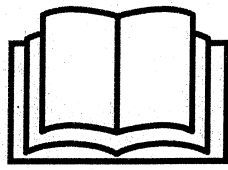




REV	DESCRIPTION	DATE	SIGN	APP.
1	ECO#12200	1/16/2015	AO	<i>Mh</i>

★ 1" ± 0.01"

★ 0.75" ± 0.01"

PowerView™
M/N: 1010512226
FCC ID: UXUPIR1
IC: 7316A-PIR1
 
PCN 5110540073

400%

PowerView™
M/N: 1010512226
FCC ID: UXUPIR1
IC: 7316A-PIR1
 
PCN 5110540073

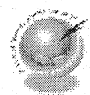
100%

SCALE 1:1

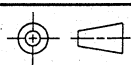
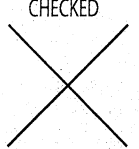
NOTES:

1. MATERIAL: SPECIAL POLYESTER
2. COLOR: BLACK INK
3. SQUARE CORNERS
3. PERMANENT ADHESIVE
4. 1,000 LABELS X ROLL (SEPARATE QUOTE FOR 250 X ROLL)
5. FCC LABEL: 5110540073

Environmental Notice (January 2006)
-Submit MSDS of use raw material before sample creation.
-There do not contain the material as following in product or parts.
1. Cadmium and cadmium compound.
2. PBB (Polybrominated biphenyls) category and PBDE (Polybrominated diphenylethers) category.
3. Chlorinated paraffins (CP) Chlorine flame retarding material/plastics
4. Polychlorinated biphenyls (PCB) category.
5. Polychlorinated naphthalenes (PCN) category.
6. Polychlorinated terphenyls (PTC) category.
7. Organic tin compounds (Tributyl tin category, Triphenyl tin category)
8. Asbestos
9. Specific azo compounds
10. Formaldehyde
11. Polyvinyl chloride (PVC) and PVC blends.
12. Lead and lead compound.
13. Mercury and mercury compounds.
14. Hexavalent chromium compounds.


RoHS Compliant

ISSUED

UNIT: INCH		SCALE: NONE	DESCRIPTION LABEL, STICKER LUM FCC (PV2)	ISSUED
APPROVED <i>Mh</i> 1/16/2015	CHECKED 	DESIGNED Alejandro Ornelas 1/15/2015	PIROUETTE	JAN 16 2015
SMK Manufacturing, Inc.			DRAWING NO. 204RXR-015-01E	
SIZE: A		SHEET: 1 OF 1		REV. 1