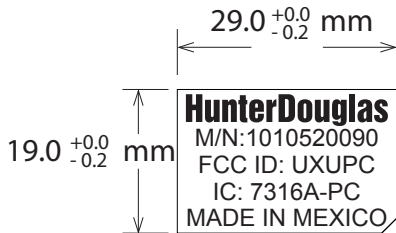


REV	DESCRIPTION	DATE	SIGN	APP.
1	ECO # 10821		YH	

MX



**HunterDouglas**  
M/N:1010520090  
FCC ID: UXUPC  
IC: 7316A-PC  
MADE IN MEXICO


SCALE 2X

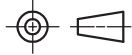
Notes:

1. Material: White Polyesther or similar.
2. Printing color: Black.
3. Thickness: 0.006"

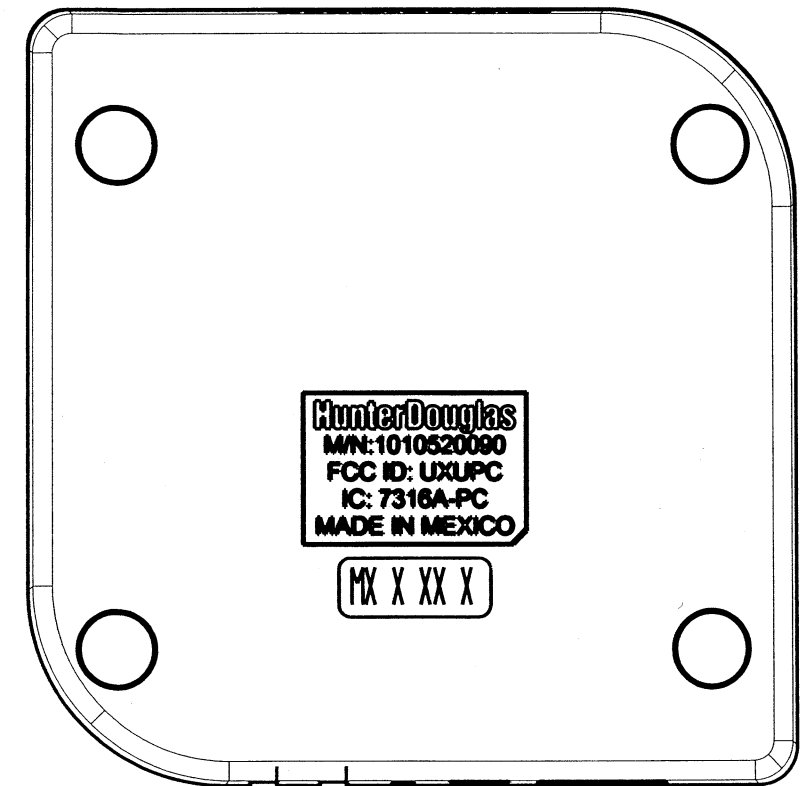
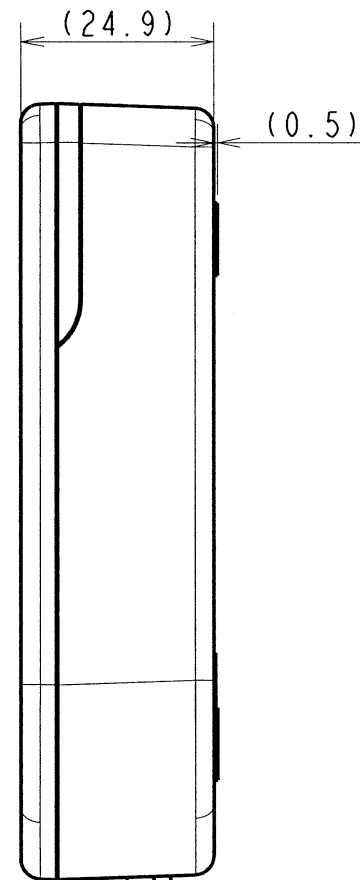
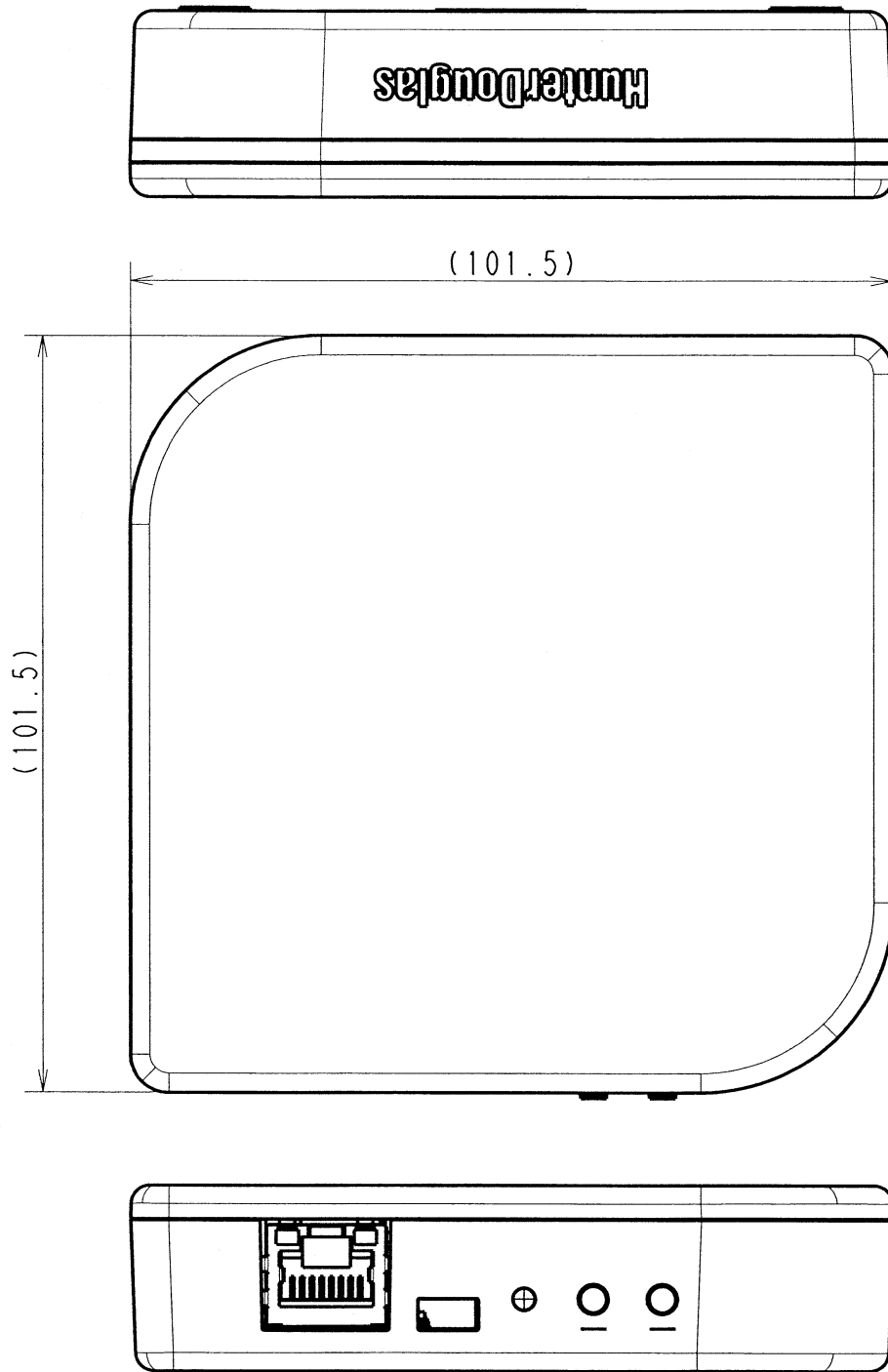
**Environmental Notice** (January 2006)

- Submit MSDS of use raw material before sample creation.
- There do not contain the material as following in product or parts.
  - 1, Cadmium and cadmium compound.
  - 2, PBB (Polybrominated biphenyls) category and PBDE (Polybrominated diphenylethers) category.
  - 3, Chlorinated paraffins (CP) Chlorine flame reterding material/plastics
  - 4, Polychlorinated biphenyls (PCB) category.
  - 5, Polychlorinated naphthalenes (PCN) category.
  - 6, Polychlorinated terphenyls (PTC) category.
  - 7, Organic tin compounds (Tributyl tin category, Triphenyl tin category)
  - 8, Asbestos
  - 9, Specific azo compounds
  - 10, Formaldehyde
  - 11, Polyvinyl chloride (PVC) and PVC blends.
  - 12, Lead and lead compound.
  - 13, Mercury and mercury compounds.
  - 14, Hexavalent chromium compounds.



UNIT: mm		SCALE: 1:1	DESCRIPTION	FCC LABEL	ISSUED
APPROVED	CHECKED	DESIGNED	HD PLATINUM APP BRIDGE		
		YH 5/24/12	DRAWING NO.		
SMK Manufacturing, Inc.			SIZE: A	SHEET: 1 OF 1	REV. 1

REV	DESCRIPTION	DATE	SIGN	APP.
1	ECO # 10821	6/5/2012	YH	<i>MH</i>



**NOTES:**

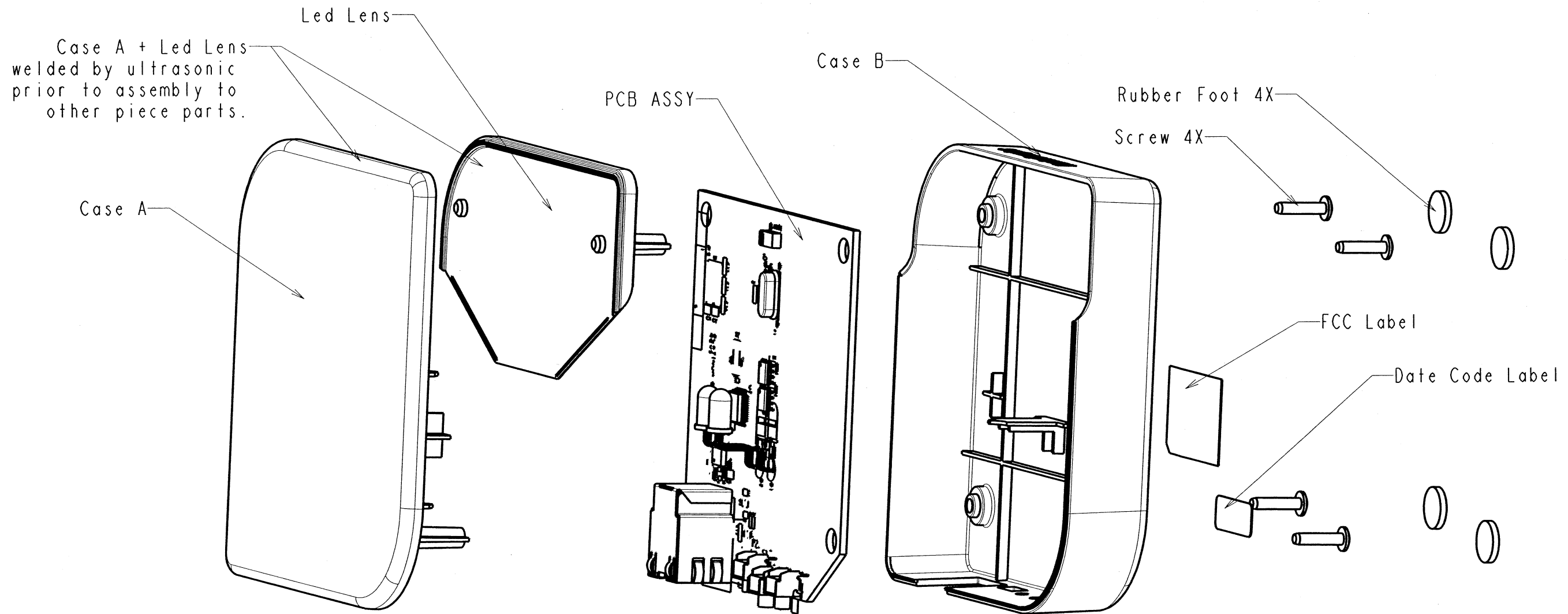
1. Label artwork shown as reference only, See Labels drawings for detailed information.

**ISSUED**  
JUN 06 2012

- ENVIRONMENTAL NOTICE:** (January 2006)  
 -Submit MSDS of use raw material before sample creation.  
 -There do not contain the material as following in product or parts.
1. CADMIUM AND CADMIUM COMPOUNDS
  2. PBB (POLYBROMINATED BIPHENYLS) CATEGORY AND PBDE (POLYBROMINATED DIPHENYLETERS) CATEGORY.
  3. CHLORINATED PARAFFINS (CP) CHLORINE FLAME RETARDING MATERIALS/PLASTICS
  4. POLYCHLORINATED BIPHENYLS (PCB) CATEGORY.
  5. POLYCHLORINATED NAPHTHALENES (PCN) CATEGORY.
  6. POLYCHLORINATED TERPHENYLS (PCT) CATEGORY.
  7. ORGANIC TIN COMPOUNDS (TRIBUTHYL TIN CATEGORY, TRIPHENYL TIN CATEGORY)
  8. ASBESTOS
  9. SPECIFIC AZO COMPOUNDS
  10. FORMALDEHYDE
  11. POLYVINYL CHLORIDE (PVC) AND PVC BLENDS.
  12. LEAD AND LEAD COMPOUND.
  13. MERCURY AND MERCURY COMPOUNDS.
  14. HEXAVALENT CHROMIUM COMPOUNDS.

13 DIMENSIONS RANGE	TOLERANCES: UNLESS OTHERWISE SPECIFIED	UNIT: mm	SCALE: 1:1	DESCRIPTION	ISSUED
X < 1	±0.06	APPROVED	DESIGNED	FINAL ASSY	
1 ≤ X ≤ 6	±0.10	<i>MH</i> 6/5/2012	YH	HD WI FI PLATINUM BRIDGE	
6 < X ≤ 18	±0.15		05/25/12	DRAWING NO.	
18 < X ≤ 50	±0.20		RXX9000-2601E		
50 < X ≤ 120	±0.30		SIZE: B	SHEET: 1 OF 2	REV. 1
120 < X ≤ 250	±0.40		<b>SMK Manufacturing, Inc.</b>		
250 < X ≤ 500	±0.50				
500 < X	±0.60				

REV	DESCRIPTION	DATE	SIGN	APP.
1	ECO # 10821	6/5/2012	YH	<i>[Signature]</i>



MX

**ISSUED**  
JUN 06 2012

13 DIMENSIONS RANGE	TOLERANCES: UNLESS OTHERWISE SPECIFIED	UNIT: mm	SCALE: 1:1	DESCRIPTION	ISSUED		
X < 1	±0.06	APPROVED	DESIGNED	<b>FINAL ASSY HD WiFi PLATINUM BRIDGE</b>			
1 ≤ X ≤ 6	±0.10	<i>[Signature]</i>	YH 05/25/12				
6 < X ≤ 18	±0.15	<i>[Signature]</i> 6/5/2012		DRAWING NO.			
18 < X ≤ 50	±0.20			RXX9000-2601E			
50 < X ≤ 120	±0.30			SIZE: B		SHEET: 2 OF 2	REV. 1
120 < X ≤ 250	±0.40			<b>SMK Manufacturing, Inc.</b>			
250 < X ≤ 500	±0.50						
500 < X	±0.60						