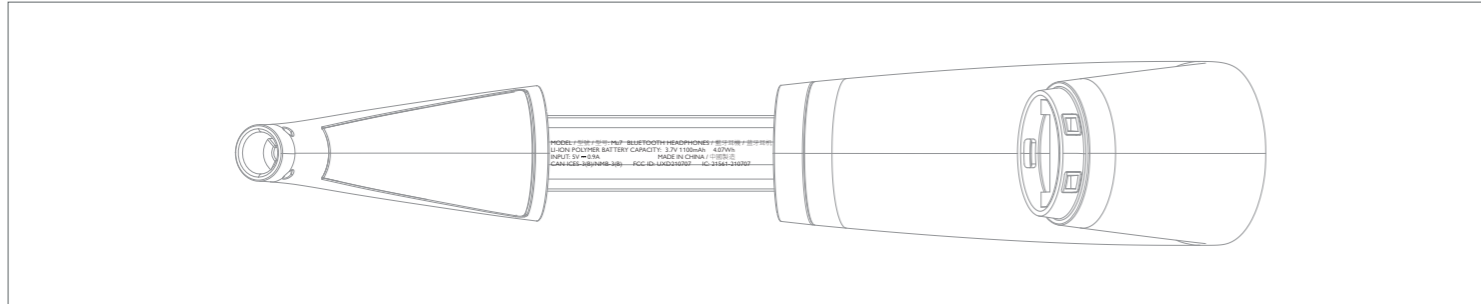


KEF RL Over Ear Wireless Graphic Information

Plastic cable cover

For 1st batch production (missing CMIT #, NNC#) & Long run production

Left plastic cable cover



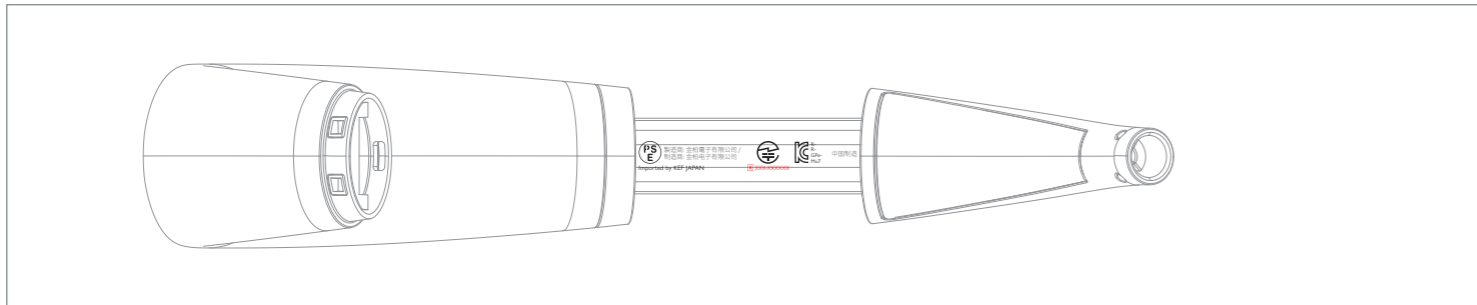
Left plastic cable mold etching in high gloss



Reference sample of the mold etching high gloss effect

For 1st batch production (if the CMIT # & NNC# are not ready for that moment)

Right plastic cable cover



Right plastic cable in silkscreen print



Silver version

Silkscreen colour: Pantone Cool Gray 8C

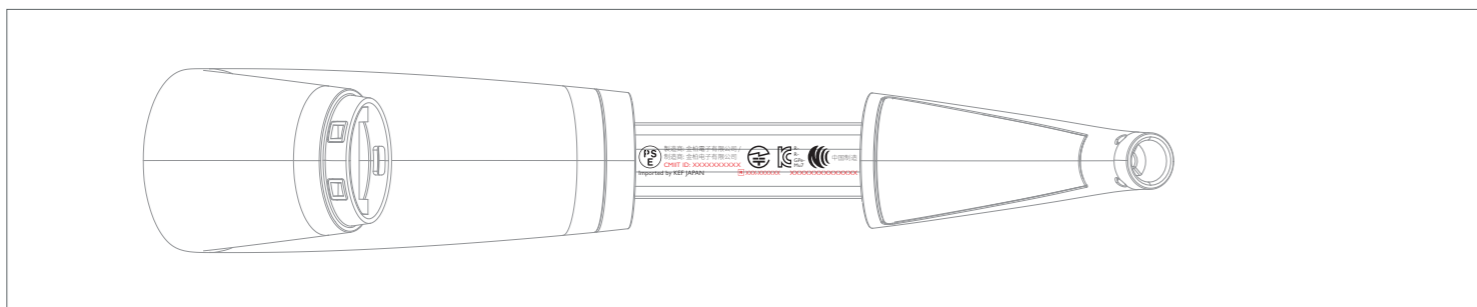
Charcoal version

Silkscreen colour: Pantone Cool Gray 9C

*** Number in red colour TBC

For Long run production

Right plastic cable cover



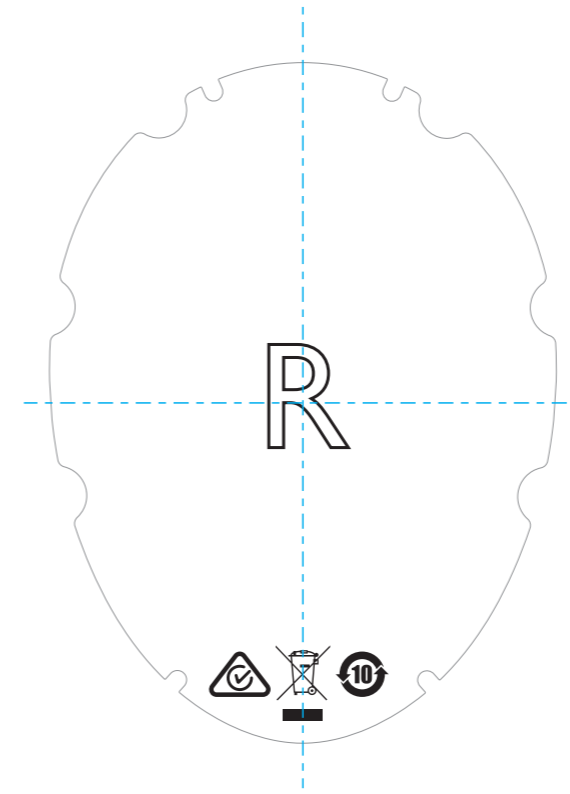
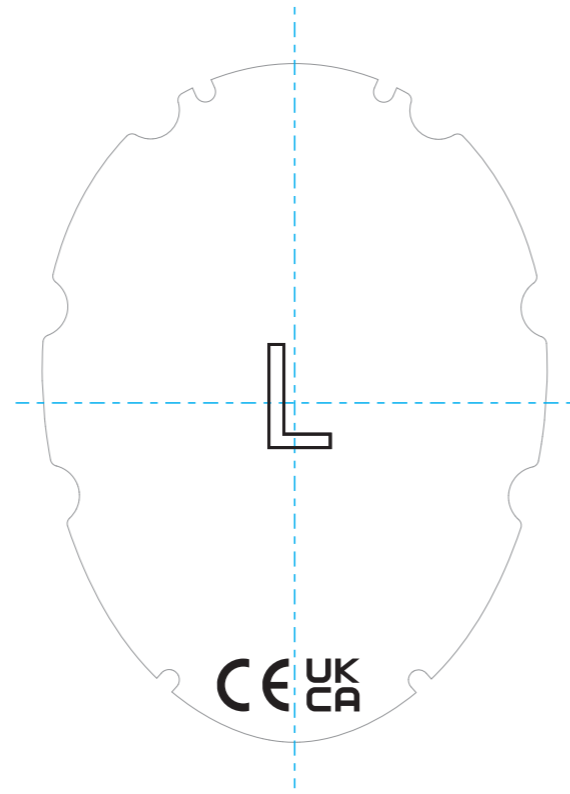
Right plastic cable mold etching in high gloss



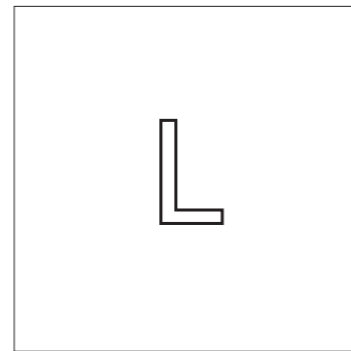
*** Number in red colour TBC

KEF RL Over Ear Wireless Graphic Information

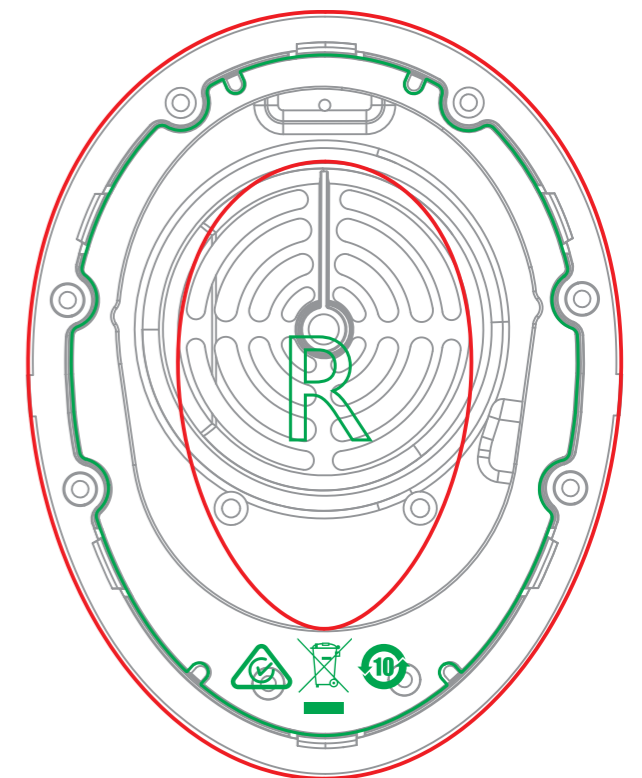
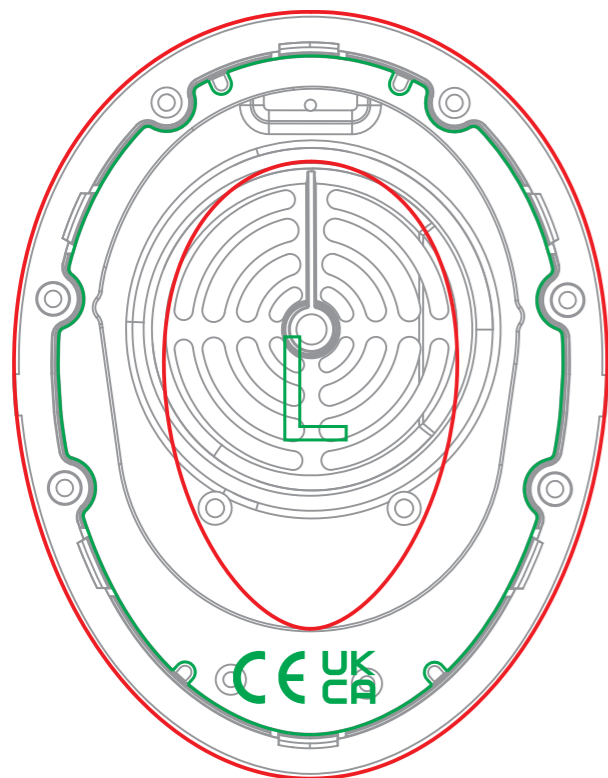
Ear Pad inner cover (Cloth)



Silver version & Charcoal version
Silkscreen colour:
Pantone Cool Grey 6C

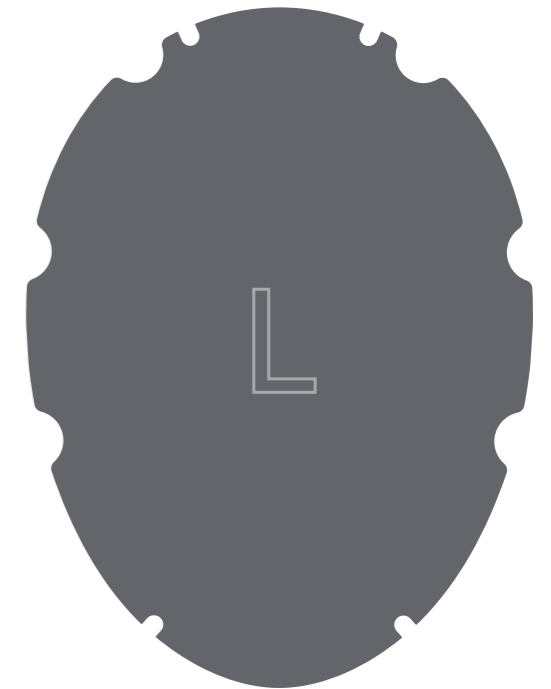
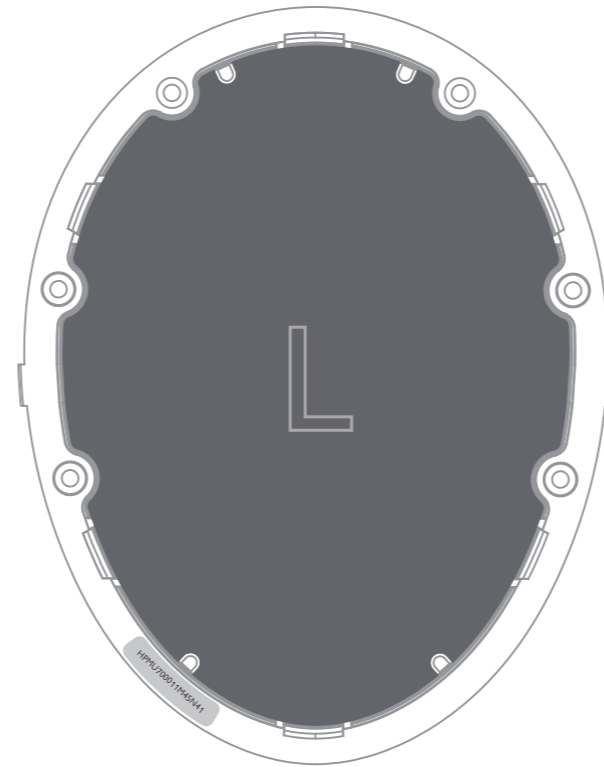


Silver version & Charcoal version
Silkscreen colour:
Pantone Cool Grey 6C



KEF RL Over Ear Wireless Graphic Information

Serial number label



Label materials, colour & finish same as the serial number label of Mu3