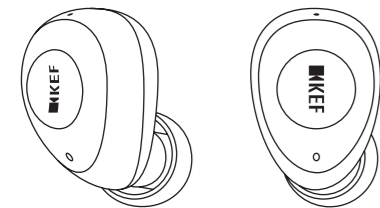


Quick Start Guide

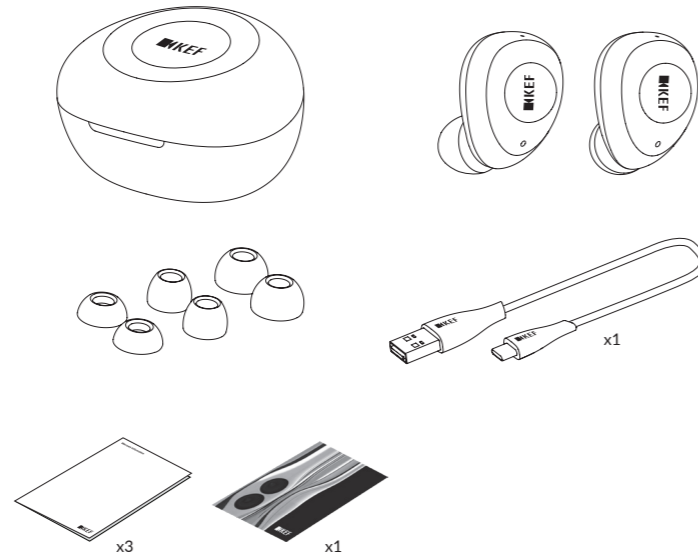
Mu3

Noise Cancelling True Wireless Earphones
Design by Ross Lovegrove



In the Box

DE Packungsinhalt FR Dans la boîte ES Contenido de la caja
JA 同梱品 CHI-S 盒内 CHI-T 盒内 KR 기본 구성품

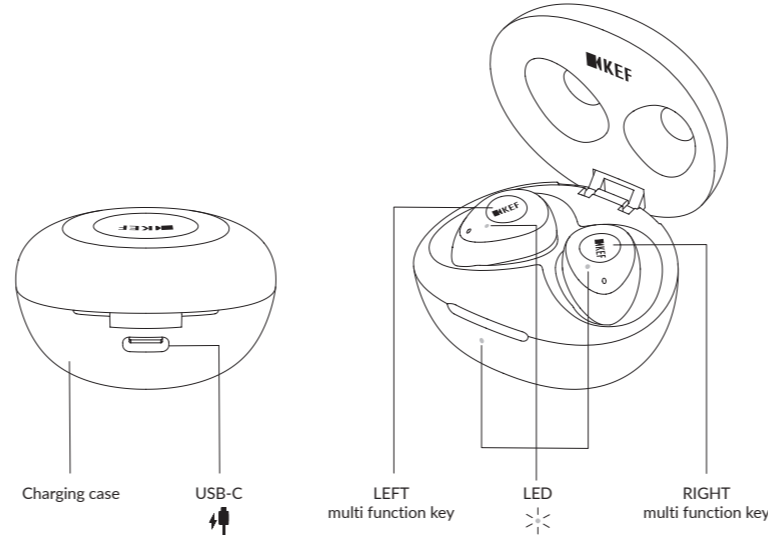


EN Contents vary by region.
DE Inhalte variieren nach Ländern.
FR Le contenu varie selon le pays.
ES Contenido varían según la región.

JA 内容は国によって異なります。
CHI-S 内容因区域不同而不同。
CHI-T 盒内配件會因不同銷售地區而略有不同。
KR 내용물은 지역에 따라 다릅니다.

Earphones Overview

DE Kopfhörer Übersicht FR Vue d'ensemble du Casque
ES Descripción general de los auriculares JA 本体 操作部・入力端子
CHI-S 耳机概览 CHI-T 耳機概要 KR 헤드폰 개요

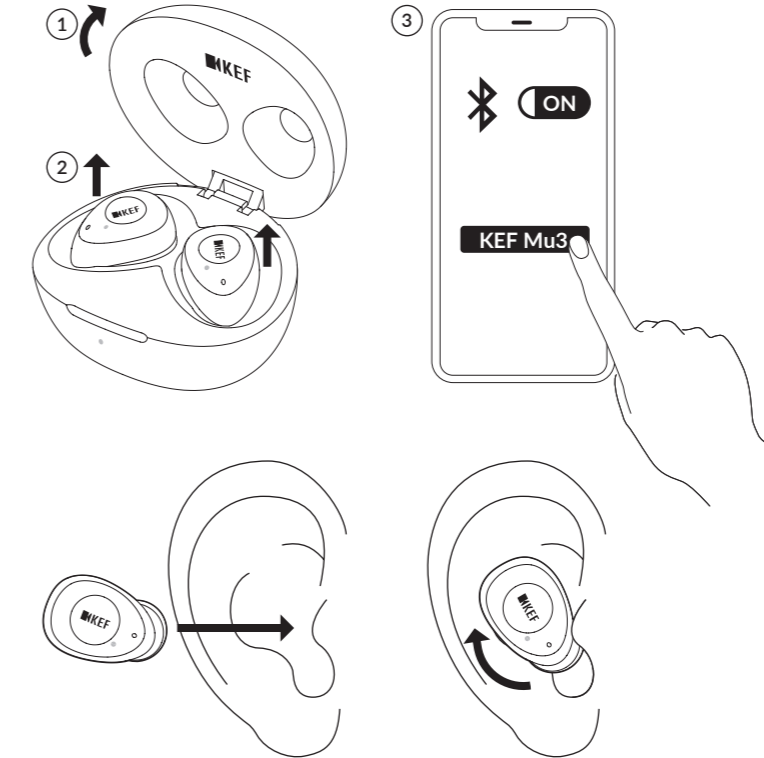


EN Charging case / multi-function key
DE Ladekoffer / Multifunktionstaste
FR Etui de chargement / Touche multifonction
ES Estuche de carga / Tecla multifunción

JA 充電ケース / 多機能キー
CHI-S 充电盒 / 多功能键
CHI-T 充電盒 / 多功能键
KR 충전 케이스 / 다기능 키

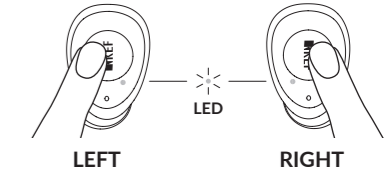
Get Started

DE Erste Schritte FR Pour commencer ES Inicio
JA 使用方法 CHI-S 开始 CHI-T 開始 KR 시작하기



Music / Call / Voice control

DE Musik-Steuerung / Anruf-Steuerung / Sprach-Steuerung
FR Musique / Appel / Contrôle vocal ES Música / Llamadas / Control por voz
JA 再生 / 通話 / 音声認識 CHI-S 音乐控制 / 通话控制 / 语音控制
CHI-T 音樂控制 / 通話控制 / 聲音控制 KR 음악 / 통화 / 음성 제어



	LEFT	RIGHT
Music	▶▶	SP x 1
	🔊+	LP
	🔊-	LP
	▶▶	SP x 2
	🔊	SP x 1 ANC on → Ambient ↺ ANC off ↻
🔊	🔊	SP x 2
Call	📞	SP x 1
	🔊+	LP
	🔊-	LP
	📞	SP x 2
	📞	SP x 2

EN Short press (SP) / Long press (LP) / Ambient
DE Kurz drücken (SP) / Lang drücken (LP) / Umgebungs
FR Pression courte (SP) / Pression longue (LP) / Ambient
ES Pulsación breve (SP) / Pulsación larga (LP) / Ambiente

JA タップ (SP) / 長押し (LP) / アンビエント
CHI-S 短按 (SP) / 长按 (LP) / 环境
CHI-T 短按 (SP) / 长按 (LP) / 环境
KR 짧게 누르기 (SP) / 길게 누르기 (LP) / 주위에

LED Indicator Light

DE LED Leuchtanzeige FR Voyant LED ES Indicador LED
 JA LEDによる表示 CHI-S LED 指示灯 CHI-T LED 指示燈 KR LED 표시등

Pairing	Blinking white	
Connected	Solid white	
Pairing	Blinking blue	
Connected	Solid blue	
	Blinking white	Blinking white
	LED off	LED off

EN Pairing / Connected / Blinking white / Solid white / Blinking blue / Solid blue
 DE Koppeln / Verbunden / Weiss pulsierend / Permanent Weiss / Blau pulsierend / Permanent Blau
 FR Appariement / Connecté / Blanc clignottant / Blanc continu / Bleu clignottant / Bleu continu
 ES Emparejándose / Conectado / Parpadeando en blanco / Blanco sólido / Azul pulsante / Azul liso
 JA ペアリング / 接続完了 / 白点滅 / 白点灯 / 青点滅 / 青点灯
 CHI-S 配对中 / 已连接 / 闪烁白 / 纯白色 / 闪烁蓝 / 纯蓝色
 CHI-T 配對 / 連接 / 閃爍白燈 / 固定白燈 / 閃爍藍燈 / 固定藍燈
 KR 페어링 / 연결됨 / 깜박이는 흰색 불 / 흰색 / 깜박이는 파란 불 / 파란 불

Specifications

DE Spezifikationen FR Caractéristiques ES Especificaciones
 JA仕様 CHI-S 详细参数 CHI-T 規格 KR 사양

Model	Mu3
Product	Bluetooth earphones
Speaker drivers	8.2mm
Frequency range	20 - 20000Hz
Sensitivity	104dB/1mW at 1KHz (1KHz 1mW)
Impedance	16Ω
Max power output	5mW (MAX)
Bluetooth	5.0
Codec	SBC, AAC
Bluetooth power	≤13dBm
Bluetooth range	10m
Bluetooth frequency	2.402GHz - 2.48GHz
Li-ion rechargeable battery	50mAh (earbud), 350mAh (charging case)
Battery play time (Earbud)	9 hrs (BT + ANC on)
Battery play time (charging case)	15hrs
Fast charging for 5 mins	1 hr battery play time
Dimension (H x W x D) mm	24.5 x 17.5 x 26.3mm (earbud) 33.5 x 52 x 62mm (charging case)
Weight g	5.8g (earbud) 46.8g (charging case)
Operating temperature	-10°C to 45°C
Power input	DC 5V 600mA

FCC Compliance Information

This device complies with Part 15 of the FCC Rules. Operation is subject to the following two conditions: (1) this device may not cause harmful interference, and (2) this device must accept any interference received, including interference that may cause undesired operation. Changes or modifications not expressly approved by the party responsible for compliance could void the user's authority to operate the equipment.

This equipment has been tested and found to comply with the limits for a Class B digital device, pursuant to Part 15 of the FCC Rules. These limits are designed to provide reasonable protection against harmful interference in a residential installation. This equipment generates, uses and can radiate radio frequency energy and, if not installed and used in accordance with the instructions, may cause harmful interference to radio communications. However, there is no guarantee that interference will not occur in a particular installation.

If this equipment does cause harmful interference to radio or television reception, which can be determined by turning the equipment off and on, the user is encouraged to try to correct the interference by one or more of the following measures:

- Reorient or relocate the receiving antenna.
- Increase the separation between the equipment and receiver.
- Connect the equipment into an outlet on a circuit different from that to which the receiver is connected.
- Consult the dealer or an experienced radio/TV technician for help.

FCC SAR Statement

This equipment complies with FCC radiation exposure limits set forth for an uncontrolled environment. End user must follow the specific operating instructions for satisfying RF exposure compliance. This transmitter must not be co-located or operating in conjunction with any other antenna or transmitter.

The portable device is designed to meet the requirements for exposure to radio waves established by the Federal Communications Commission (USA). These requirements set a SAR limit of 1.6 W/kg averaged over one gram of tissue. The highest SAR value reported under this standard during product certification.

Industry Canada (IC) Compliance Statement

This device contains licence-exempt transmitter(s)/receiver(s) that comply with Innovation, Science and Economic Development Canada's licence-exempt RSS(s). Operation is subject to the following two conditions:
 1. This device may not cause interference.
 2. This device must accept any interference, including interference that may cause undesired operation of the device.

This equipment complies with ICSE radiation exposure limits set forth for an uncontrolled environment. End user must follow the specific operating instructions for satisfying RF exposure compliance. This transmitter must not be co-located or operating in conjunction with any other antenna or transmitter. The portable device is designed to meet the requirements for exposure to radio waves established by the ICSE. These requirements set a SAR limit of 1.6 W/kg averaged over one gram of tissue. The highest SAR value reported under this standard during product certification.

Avis de conformité aux normes d'Industrie Canada

L'émetteur/récepteur exempt de licence contenu dans le présent appareil est conforme aux CNR d'Innovation, Sciences et Développement économique Canada applicables aux appareils radio exempts de licence. L'exploitation est autorisée aux deux conditions suivantes:
 1. L'appareil ne doit pas produire de brouillage;
 2. L'appareil doit accepter tout brouillage radioélectrique subi, même si le brouillage est susceptible d'en compromettre le fonctionnement.

Cet équipement est conforme aux limites d'exposition aux rayonnements d'ISDE établies pour un environnement non contrôlé. L'utilisateur final doit suivre les instructions d'utilisation spécifiques pour se conformer à l'exposition RF. Cet émetteur ne doit pas être colocalisé ou fonctionner en conjonction avec une autre antenne ou un autre émetteur. L'appareil portable est conçu pour répondre aux exigences d'exposition aux ondes radio établies par ISDE. Ces exigences fixent une limite DAS de 1,6 W / kg en moyenne sur un gramme de tissu. Valeur DAS la plus élevée rapportée selon cette norme lors de la certification du produit.

低功率電波輻射性電機管理辦法

取得審驗證明之低功率射頻器材，非經核准，公司、商號或使用者均不得擅自變更頻率、加大功率或變更原設計之特性及功能。低功率射頻器材之使用不得影響飛航安全及干擾合法通信；經發現有干擾現象時，應立即停用，並改善至無干擾時方得繼續使用。前述合法通信，指依電信管理法規作業之無線電通信。低功率射頻器材須忍受合法通信或工業、科學及醫療用電波輻射性電機設備之干擾。

产品中有害物质的名称及含量

部件名称	有害物质					
	铅 (Pb)	汞 (Hg)	镉 (Cd)	六价铬 (Cr ⁶⁺)	多溴联苯 (PBB)	多溴联苯醚 (PBDE)
机身金属部件	○	○	○	○	○	○
机身非金属部件	○	○	○	○	○	○
喇叭单元	○	○	○	○	○	○
电路板组件	X	○	○	○	○	○
电池	○	○	○	○	○	○
附件	○	○	○	○	○	○

本表格依据 SJ/T 11364 的规定编制。
 ○: 表示该有害物质在该部件所有均质材料中的含量均在 GB/T 26572 规定的限量要求以下。
 X: 表示该有害物质至少在该部件的某一均质材料中的含量超出 GB/T 26572 规定的限量要求。
 注: 含有有害物质的部件由于全球技术发展水平限制而无法实现有害物质的替代。

限用物質含有情況說明書

Presence Condition of the Restricted Substances Marking

單元 Unit	限用物質及其化學符號 Restricted substances and its chemical symbols					
	鉛 Lead (Pb)	汞 Mercury (Hg)	鎘 Cadmium (Cd)	六價鉻 Hexavalent chromium (Cr ⁶⁺)	多溴聯苯 Polybrominated biphenyls (PBB)	多溴二苯醚 Polybrominated diphenyl ethers (PBDE)
機身金屬部件	○	○	○	○	○	○
機身非金属部件	○	○	○	○	○	○
喇叭單元	○	○	○	○	○	○
電路板組件	-	○	○	○	○	○
電池	○	○	○	○	○	○
附件	○	○	○	○	○	○

備考 1: "超出0.1 wt %" 及 "超出0.01 wt %" 係指限用物質之百分比含量超出百分比含量基準值。
 Note 1: "Exceeding 0.1 wt % and "exceeding 0.01 wt %" indicate that the percentage content of the restricted substance exceeds the reference percentage value of presence condition.
 備考 2: "○" 係指該項限用物質之百分比含量未超出百分比含量基準值。
 Note 2: "○" indicates that the percentage content of the restricted substance does not exceed the percentage of reference value of presence.
 備考 3: "-" 係指該項限用物質為排除項目。
 Note 3: The "-" indicates that the restricted substance corresponds to the exemption.

檢驗簽署人: 劉文芳 名稱: 琦富國際有限公司 地址: 臺北市信義區信義路四段415號5樓之4

CE Conformity

Hereby: GP
 Product name: Bluetooth earphones
 Brand Name: KEF
 Model: Mu3
 Frequency band : 2.402GHz - 2.48GHz
 Max power value : 5mW

Applicable Standards:

Safety: EN 62368
 Health: EN 62479
 EMC: ETSI EN 301 489-1
 ETSI EN 301 489-17
 EN 55032
 EN 55020
 Radio: EN 300 328

The CE Declaration of Conformity is available on our website at www.kef.com

**Complies with
IMDA Standards
DA101682**

FCC ID : UXD201125
 IC ID : 21561-201125
 R 215-JCD108

左图为电子信息产品污染控制标示；图中数字为产品环保使用年限。仅指电子信息产品中含有的有害物质不致发生外泄或突变从而对环境造成污染或对人身、财产造成严重损害的年限。

R-R- 기자재명: 특정소음측정 무선기기
 GPe- (무선데이터통신시스템용 무선기기)
 Mu3 제조사(상호명): GP Electronics (Huizhou) Co., Ltd.
 해당 무선설비는 운용 중 전파혼신 가능성이 있음.



For product registration, please visit <https://kef.world/Mu3reg>

GP Acoustics (UK) Limited
 Eccleston Road
 Tovil, Maidstone
 Kent, ME15 6QP
 UK



KEF.com