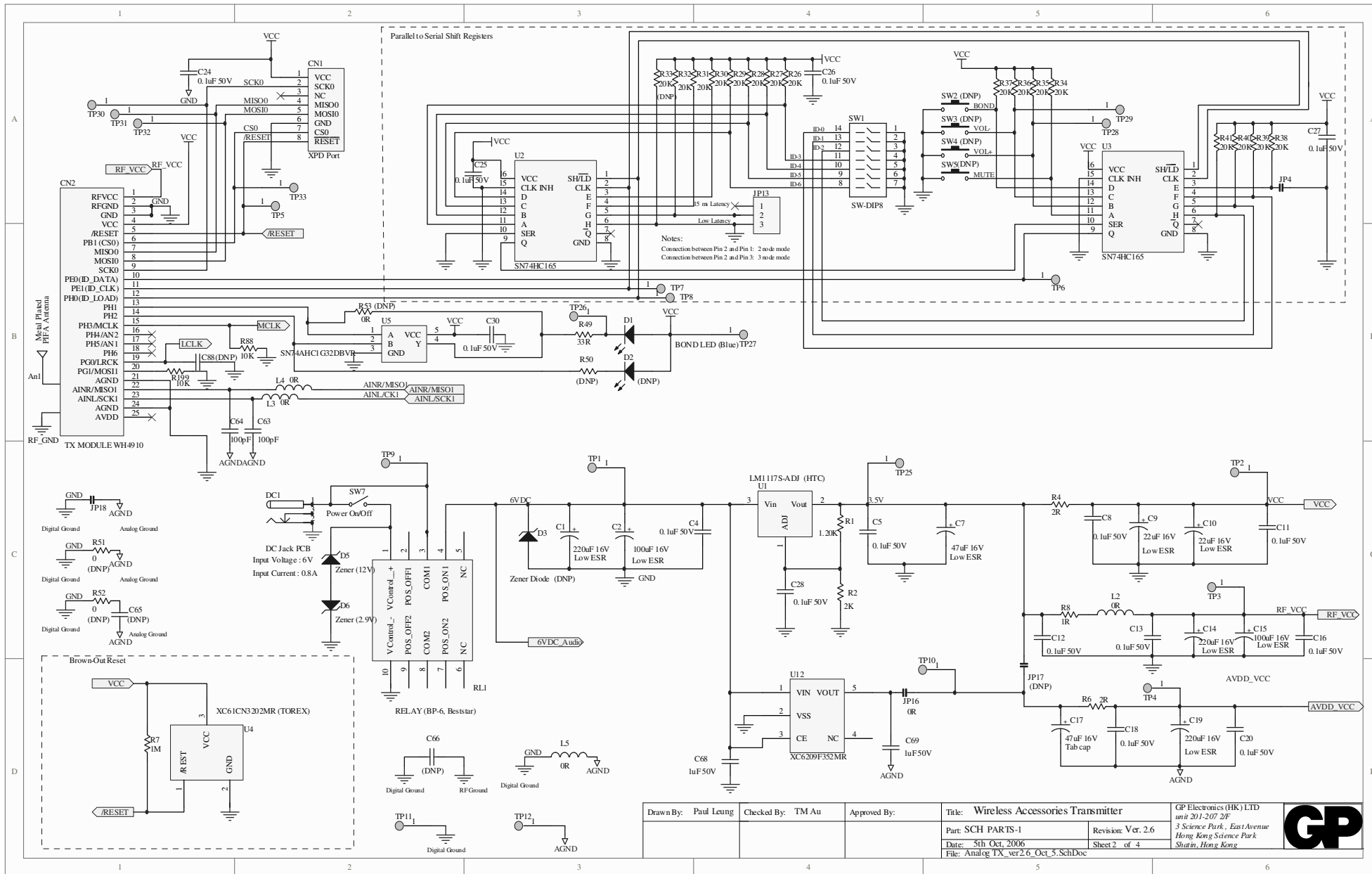


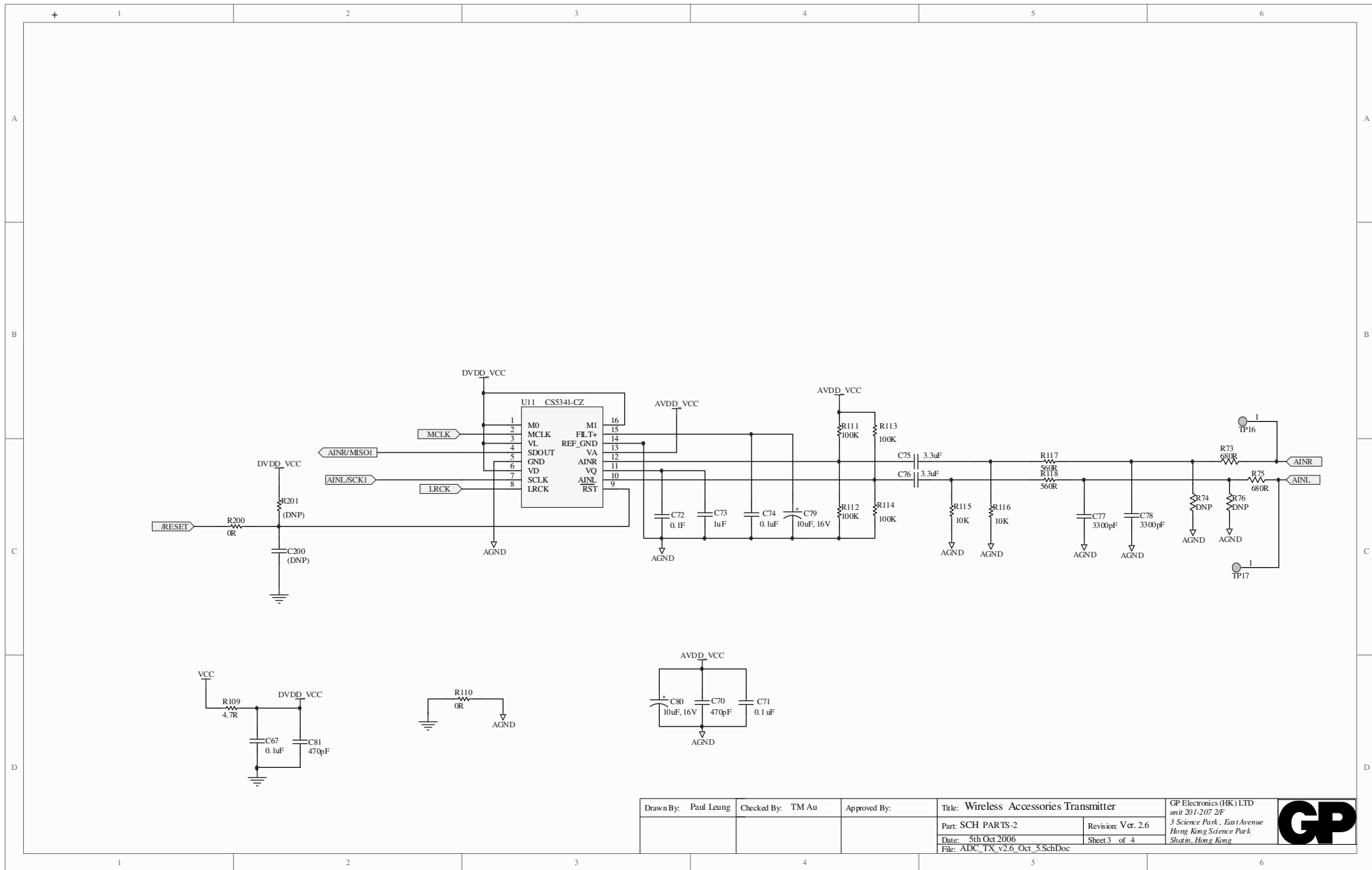
Drawn By: Paul Leung	Checked By: TM Au	Approved By:	Title: 3005/5005 Wireless Speaker (TX)	GP Electronics (HK) LTD Unit 201-207 2/F 3 Science Park, East Avenue Hong Kong Science Park Sha Tin, Hong Kong
			Part: SCH Top	Revision: Ver. 2.6
			Date: 5th Oct 2006	Sheet 1 of 4
			File: Wireless Accessories TX ver2.6_Oct_5.SchDoc	

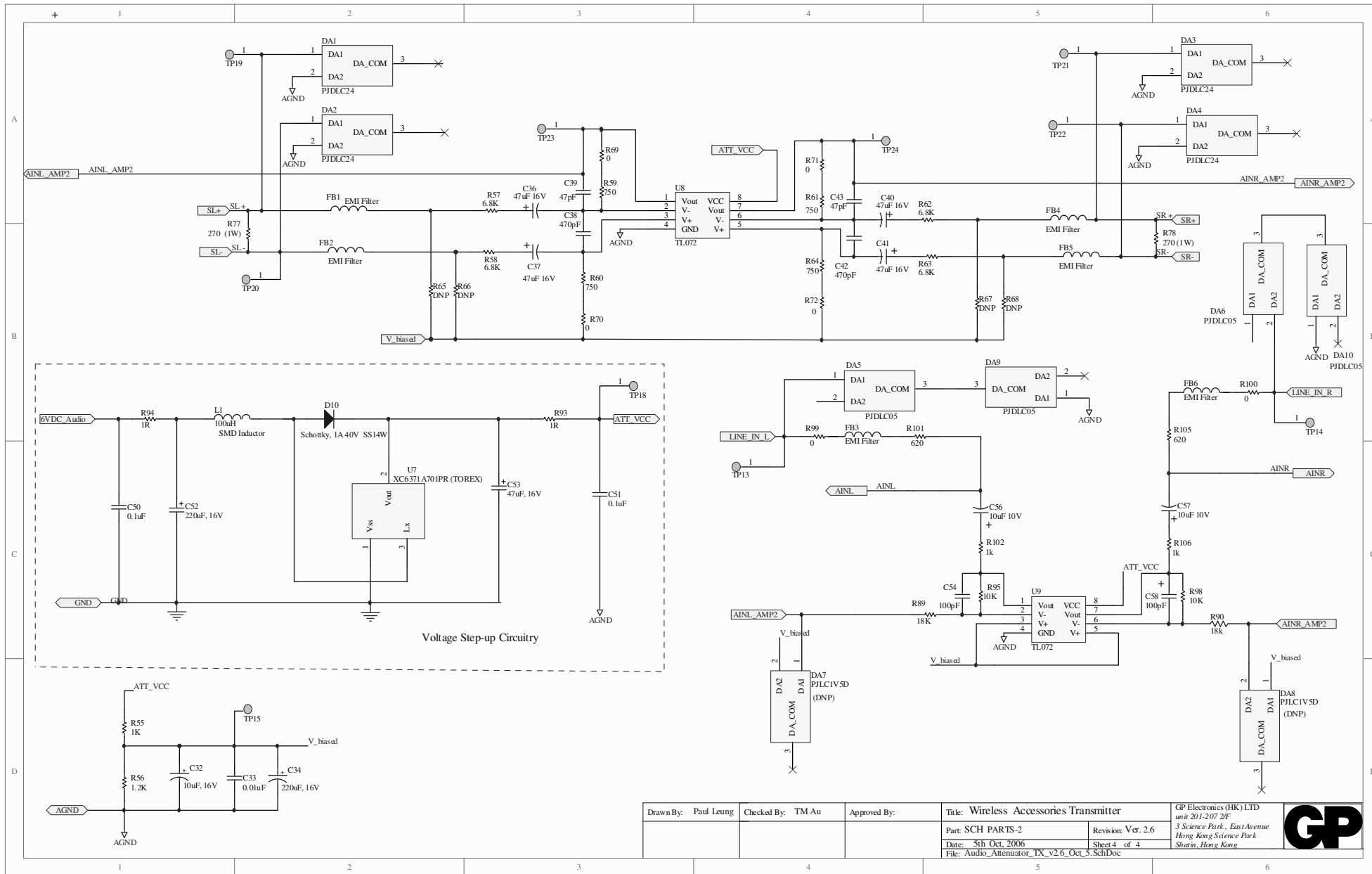




Drawn By: Paul Leung	Checked By: TM Au	Approved By:	Title: Wireless Accessories Transmitter	GP Electronics (HK) LTD Unit 201-207 2/F 3 Science Park, East Avenue Hong Kong Science Park Shatin, Hong Kong
			Part: SCH PARTS-1	Revision: Ver. 2.6
			Date: 5th Oct, 2006	Sheet 2 of 4
			File: Analog_TX_ver2.6_Oct.5.SchDoc	







Drawn By: Paul Leung	Checked By: TM Au	Approved By:	Title: Wireless Accessories Transmitter	GP Electronics (HK) LTD Unit 201-207 2/F 3 Science Park, East Avenue Hong Kong Science Park Sha Tin, Hong Kong
			Part: SCH PARTS-2	Revision: Ver. 2.6
			Date: 5th Oct, 2006	Sheet 4 of 4
			File: Audio_Attenuator_1X_v2.6_Oct.5.SchDoc	

