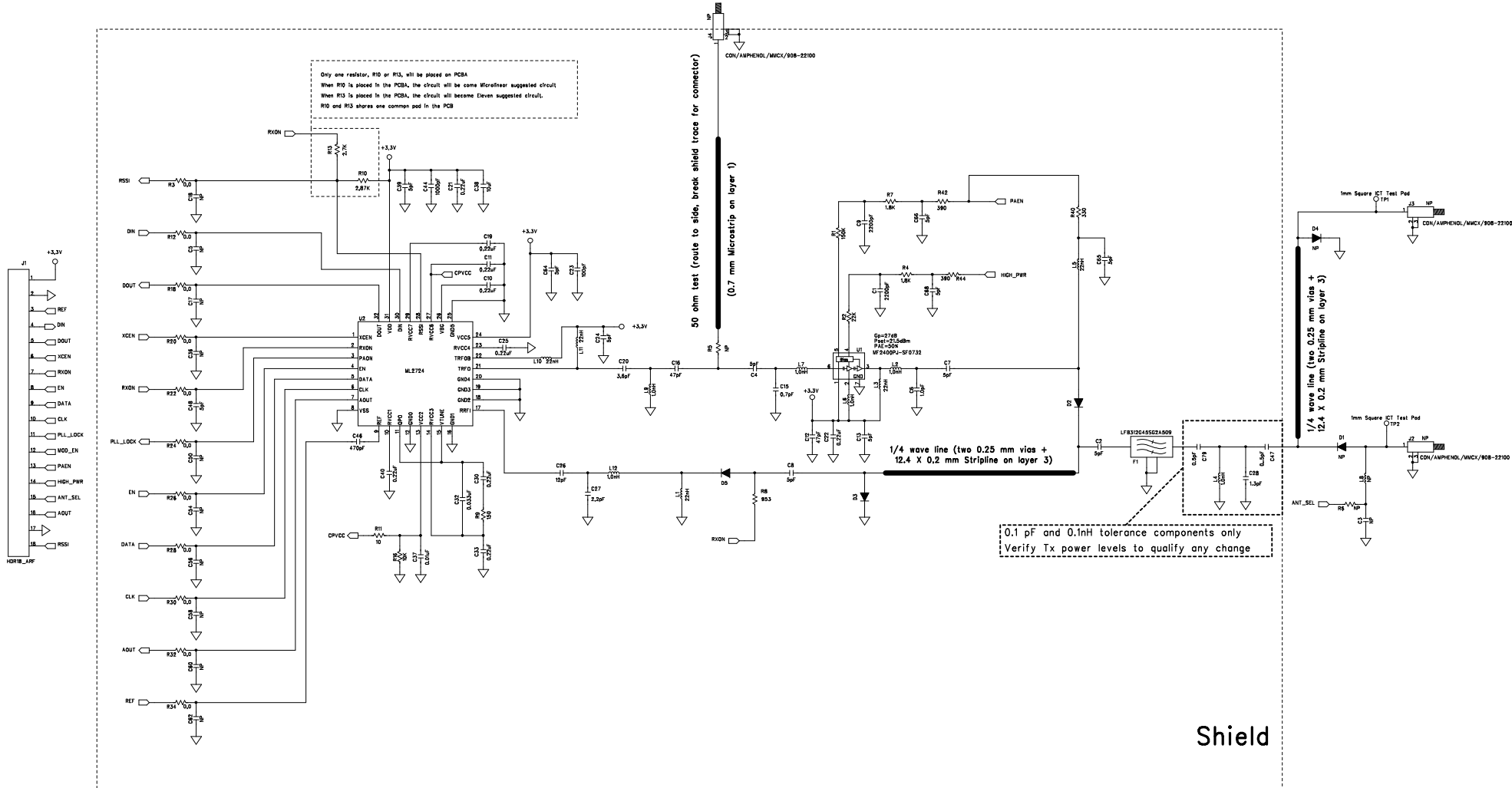


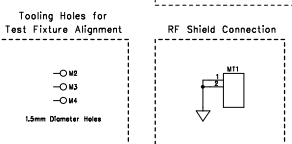
REVISION RECORD					
#	ECO NO.	DESCRIPTION	REVISED BY:	APPROVED:	DATE:
06.0			FML		23 MAR 2004
06.1			FML		29 MAR 2004
06.2			FML		26 MAR 2004
06.3			FML		02 APR 2004
06.4		Shield, RF input, and connector changes	FML		16 APR 2004
06.5		Add microstrip PA and Diversity Switch	FML		15 MAY 2004
06.6		Add PDS pad-up resistor (R10)	FML		01 JUNE 2004
06.7		Add RF input pads	YS		02 JUNE 2004
06.8		Add Rx Pin Diode, Increase BPT G, HP diode's path	FML		23 JUNE 2004



Only one resistor, R10 or R13, will be placed on PCB
 When R10 is placed in the PCB, the circuit will be some Microlinear suggested circuit
 When R13 is placed in the PCB, the circuit will be Eleven suggested circuit.
 R10 and R13 shares one common pad in the PCB

0.1 pF and 0.1nH tolerance components only
 Verify Tx power levels to qualify any change

Shield



Automatic MFG.LTD.

DESIGN BY: Microlinear Application Eng. ML2724RFM: 2.4 GHz Radio Frequency Module
 RE-DESIGN BY: Cory TSO (AML) ML2724 with PA, Diversity Switch and T/R Switch
 APPROVED: DATE: 15 Jul 04 PART NUMBER: MOD-0003-200-05.8.1 SHEET: 1 OF 1

Proprietary and confidential information of AML