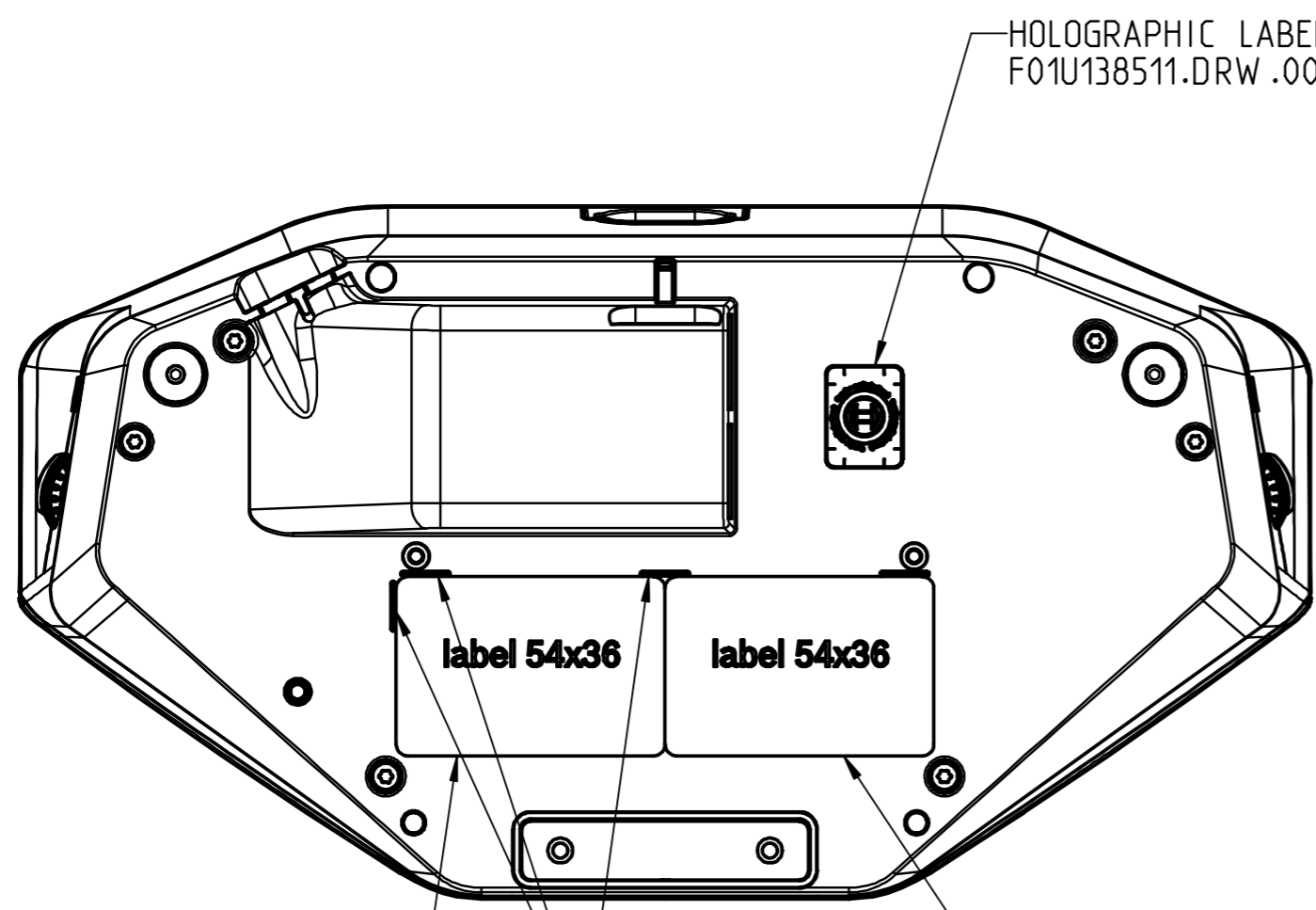


© Robert Bosch GmbH. Alle Rechte vorbehalten, auch bzgl. jeder Verfertigung, Verwertung, Reproduktion, Bearbeitung, Weitergabe sowie für den Fall von Schutzrechtsmeldungen.

© Robert Bosch GmbH. All rights reserved, also regarding any disposal, exploitation, reproduction, editing, distribution, as well as in the event of applications for industrial property rights.



Product label
F01U313728.DRW .002.xx.pdf

Align label with ribs.

FCC label
F01U313728.DRW .003.xx.pdf

HOLOGRAPHIC LABEL
F01U138511.DRW .001.xx.pdf



1:2

01		F03X03713501	20160707	KVB2BDA	kvb2bda	ahr2bda	ST-CO/ENG1.2		
Ind.	Change/Aend.	YYYYMMDD	Drawn/Gez.	Checked/Gepr.	Releas./Freig.	BWN	Resp. dept./Verantw. Abt.	Add. info./Zus. Info.	
Treatment/Behandlung							Missed details/Fehlende Angaben		Size/Gst. ---
Mat./Stoff							From/Aus		
Lang./Spr. en/de	Wght./Gew.		BOSCH		LABEL INSTRUCTION DCNM-DSL DISCUSSION DEVICE WITH LANGUAGE SELECTOR			Sheet/Bl. 1/1	
	Crit. P.	Scale/M.stab 1:1			Mat.meets/Stoffe s	Syst. PE	Doc.type DRW	F01U313728	DP/TD 002
	MNR F01U313728		N 2580-1	Repl. for		Repl. by			