

Frequency Block Diagram
 (Taken from data sheet for nRF2401)

BLOCK DIAGRAM

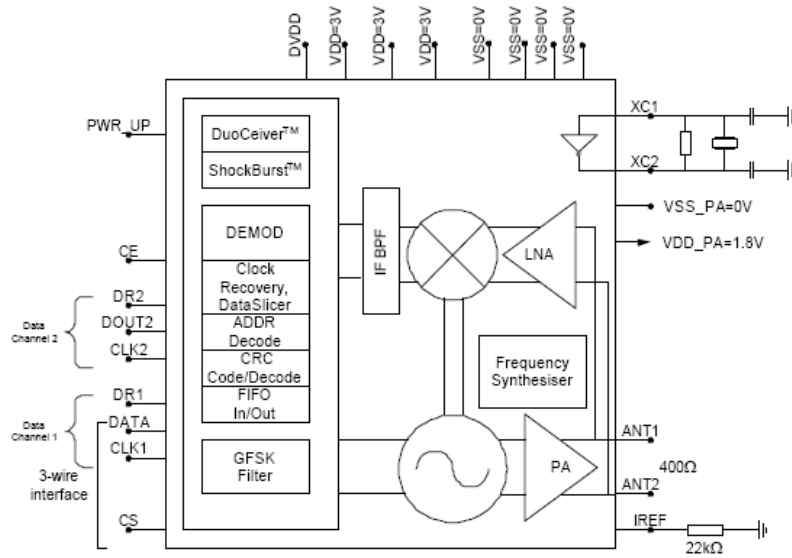


Figure 1 nRF2401 with external components.