

# TECHNICAL INFORMATION MANUAL

Revision 3.1 – 13 October 2020

# Quark<sup>Up</sup>

## R1270

500mW UHF RFID Ultra Compact Module

## R1270CEVB

Quark Up Reader Evaluation Board



 **CAENRFID**

Visit the [Quark Up R1270 web page](#), you will find the latest revision of data sheets, manuals, certifications, technical drawings, software and firmware. All you need to start using your reader in a few clicks!

## Scope of Manual

The goal of this manual is to provide the basic information to work with the **Quark Up R1270 500mW UHF RFID Ultra Compact Module**.

## Change Document Record

Date	Revision	Changes	Pages
12 Oct 2016	01	First release	-
18 May 2018	02	Modified <i>REGULATORY COMPLIANCE</i> chapter	28
		Modified <i>Technical Specifications Table</i>	10
		Added <i>USB Communication Setup</i>	26
		Modified R1270 Quark up photo	1-6
		Modified <i>Development Kit</i>	8
28 May 2019	03	Modified <i>REGULATORY COMPLIANCE</i> chapter	28-29
13 October 2020	03.1	Modified <i>REGULATORY COMPLIANCE</i> chapter	28

## Reference Document

[RD1] EPCglobal: EPC Radio-Frequency Identity Protocols Class-1 Generation-2 UHF RFID Protocol for Communications at 860 MHz - 960 MHz, Version 2.0.1 (April, 2015).

---

### CAEN RFID srl

Via Vetraia, 11 55049 Viareggio (LU) - ITALY  
Tel. +39.0584.388.398 Fax +39.0584.388.959  
[info@caenrfid.com](mailto:info@caenrfid.com)  
[www.caenrfid.com](http://www.caenrfid.com)

---

© CAEN RFID srl – 2019

### Disclaimer

No part of this manual may be reproduced in any form or by any means, electronic, mechanical, recording, or otherwise, without the prior written permission of CAEN RFID.

The information contained herein has been carefully checked and is believed to be accurate; however, no responsibility is assumed for inaccuracies. CAEN RFID reserves the right to modify its products specifications without giving any notice; for up to date information please visit [www.caenrfid.com](http://www.caenrfid.com).

---

---

### Federal Communications Commission (FCC) Notice

This device was tested and found to comply with the limits set forth in Part 15 of the FCC Rules. Operation is subject to the following conditions: (1) this device may not cause harmful interference, and (2) this device must accept any interference received including interference that may cause undesired operation. These limits are designed to provide reasonable protection against harmful interference when the equipment is operated in a commercial environment.

This device generates, uses, and can radiate radio frequency energy. If not installed and used in accordance with the instruction manual, the product may cause harmful interference to radio communications. Operation of this product in a residential area is likely to cause harmful interference, in which case, the user is required to correct the interference at their own expense. The authority to operate this product is conditioned by the requirements that no modifications be made to the equipment unless the changes or modifications are expressly approved by CAEN RFID.

---

### Disposal of the product

Do not dispose the product in municipal or household waste. Please check your local regulations for disposal/recycle of electronic products.



# Index

Scope of Manual.....	2
Change Document Record.....	2
Reference Document.....	2
<b>Index 4</b>	
<b>List of Figures.....</b>	<b>4</b>
<b>List of Tables.....</b>	<b>5</b>
<b>1 INTRODUCTION.....</b>	<b>6</b>
Product Description.....	6
Reader.....	6
Evaluation Board.....	6
Accessories.....	7
R1270 Quark Up Reader Accessories.....	7
R1270CEVB Quark Up Evaluation Board Accessories.....	7
Development Kit.....	8
Ordering Options.....	8
Installation Notice.....	9
<b>2 QUARK UP R1270.....</b>	<b>10</b>
Technical Specifications Table.....	10
External Connections.....	11
R1270 supply and I/O connector electrical characteristics.....	13
Power supply connection.....	14
General purpose I/O connections.....	15
External reset.....	15
UART connection.....	16
USB connection.....	17
Antenna port specifications.....	17
Reader – Tag Link Profiles.....	18
Firmware Upgrade.....	18
BSL operation.....	18
Firmware upgrade via R1270CEVB board.....	19
PCB Pad Layout.....	21
<b>3 QUARK UP R1270CEVB.....</b>	<b>22</b>
Technical Specifications Table.....	22
Connection diagram.....	23
Installation Notice.....	23
Technical drawings.....	23
Electrical scheme.....	24
External Connections.....	25
USB Communication Setup.....	26
<b>4 REGULATORY COMPLIANCE.....</b>	<b>28</b>
FCC Compliance.....	28
Industry Canada Compliance.....	<b>Errore. Il segnalibro non è definito.</b>
CE Compliance.....	29
RoHS EU Directive.....	29
Quark Up CE Declaration of Conformity.....	30

## List of Figures

Fig. 1.1: Quark Up R1270 500mW UHF RFID Ultra Compact Module.....	6
Fig. 1.2: Quark Up R1270CEVB - Quark-Up Reader Evaluation Board.....	6
Fig. 1.3: R1270CEVB Accessories.....	7
Fig. 1.4: R1270CXDK: Accessories kit with adapter, antennas, cable and demo tags.....	8
Fig. 1.5: Connection of the R1270CEVB to the Quark Up R1270 module.....	9
Fig. 2.1: Quark Up R1270 technical drawings.....	11
Fig. 2.2: Quark Up R1270 power supply connection.....	14
Fig. 2.3: Quark Up R1270 GPIO connection example.....	15
Fig. 2.4: Quark Up R1270 external reset.....	15
Fig. 2.5: Quark Up R1270 RS232 connection.....	16
Fig. 2.6: Quark Up R1270 USB connection.....	17
Fig. 2.7: BSL sequence.....	18

Fig. 2.8: PCB pad layout .....	21
Fig. 3.1: Quark Up R1270CEVB technical drawing .....	23
Fig. 3.2: Quark Up R1270CEVB electrical scheme .....	24
Fig. 3.3: Quark Up R1270CEVB SMT pads .....	25

## List of Tables

Tab. 2.1: Quark Up R1270 Technical Specifications .....	10
Tab. 2.2: Quark Up R1270 connector pinout .....	12
Tab. 2.3: Quark Up R1270 supply and I/O connector electrical characteristics .....	14
Tab. 2.4: RF port pinout .....	17
Tab. 2.5: RF port electrical characteristics .....	17
Tab. 2.6: Quark Up R1270 reader to tag link profiles .....	18
Tab. 3.1: R1270CEVB - Quark-Up Reader Evaluation Board .....	22
Tab. 3.2: Quark Up R1270CEVB GPIO connector pinout .....	25
Tab. 3.3: Quark Up R1270CEVB SMT pads signals .....	25

# 1 INTRODUCTION

## Product Description

### Reader

The Quark-Up (Model R1270), OEM reader of the easy2read<sup>®</sup> Family, is an UHF multiregional ultra-compact reader for low power, high performances UHF RFID applications.

With programmable output power in 18 steps from 10dBm to 27dBm, the reader can detect tags at more than 3 mt of distance (depending on antenna and tag dimensions).

Due to its low power consumption, the module is specifically designed to be easily integrated in battery powered devices.

The radio frequency core of the module permits to achieve fast reading and to be used in dense reader and dense tag environments for top-class rated performances.

The compactness of the device and the board-to-board connector allow to embed the R1270 inside the new small form factor industrial handhelds, smartphone accessories and other compact form factor devices.

The R1270 complies with and can operate in both European and US regulatory environments and due to its multiregional capabilities, it's ideal for integration in devices requiring compliance to different geographical regions.



Fig. 1.1: Quark Up R1270 500mW UHF RFID Ultra Compact Module

### Evaluation Board

The R1270CEVB evaluation board allows to manage the R1270 Quark Up reader directly via USB interface. This board is particularly suited for Quark Up reader evaluation and SW development purposes.

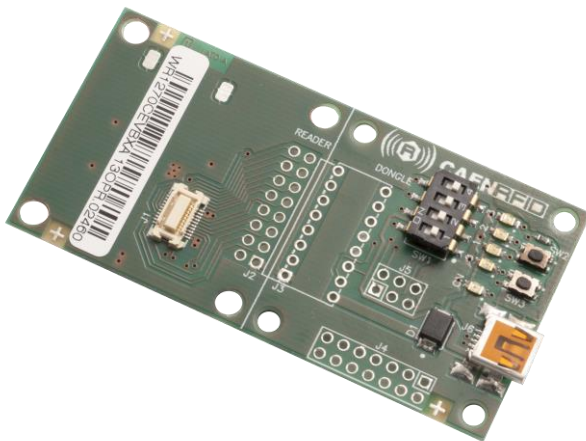


Fig. 1.2: Quark Up R1270CEVB - Quark-Up Reader Evaluation Board

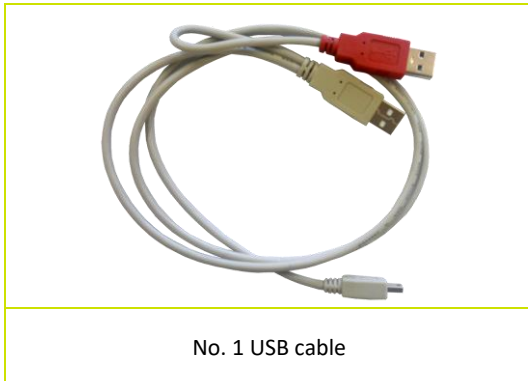
## Accessories

### R1270 Quark Up Reader Accessories

None.

### R1270CEVB Quark Up Evaluation Board Accessories

Check for the supplied accessories below:



**Fig. 1.3: R1270CEVB Accessories**

## Development Kit

A development kit with adapter, antennas, cable and demo tags is available:



Fig. 1.4: R1270CXDK: Accessories kit with adapter, antennas, cable and demo tags

The kit includes:

- n. 1 [R1270CEVB - Quark-Up Reader Evaluation Board](#)
- n.1 Circular Polarized Quadrifilar Antenna U.FL ([ETSI](#) or [FCC](#))
- n. 1 [Set of Labels](#)
- n. 1 [A927Z Temperature Logger Tag](#)
- n. 1 [RT0005 Temperature Logger Tag](#)
- n. 1 USB cable

The R1270 Quark up reader and its development kit are a complete set up for a quick implementation of RFID solutions.

## Ordering Options

	Code	Description
Reader	WR1270CXAAA	<a href="#">R1270 - Ultra Compact Embedded UHF RFID Reader</a>
Development kit	WR1270CXDKU	<a href="#">QuarkUp - Dev Kit with evaluation board, ETSI antennas and tags (reader not included)</a>
	WR1270CXDKU	<a href="#">QuarkUp - Dev Kit with evaluation board, FCC antennas and tags (reader not included)</a>
Accessories	WR1270CEVBXA	<a href="#">R1270CEVB - Quark-Up Reader Evaluation Board</a>
	WANT020XAUFL	<a href="#">ANT020/UFL - Quad - Circular polarized quadrifilar antenna (ETSI) - U.FL</a>
	WANT021XAUFL	<a href="#">ANT021/UFL - Quad - Circular polarized quadrifilar antenna (FCC) - U.FL</a>



## Installation Notice

The correct way to connect the Quark Up R1270 module to the evaluation board is shown in the following pictures:

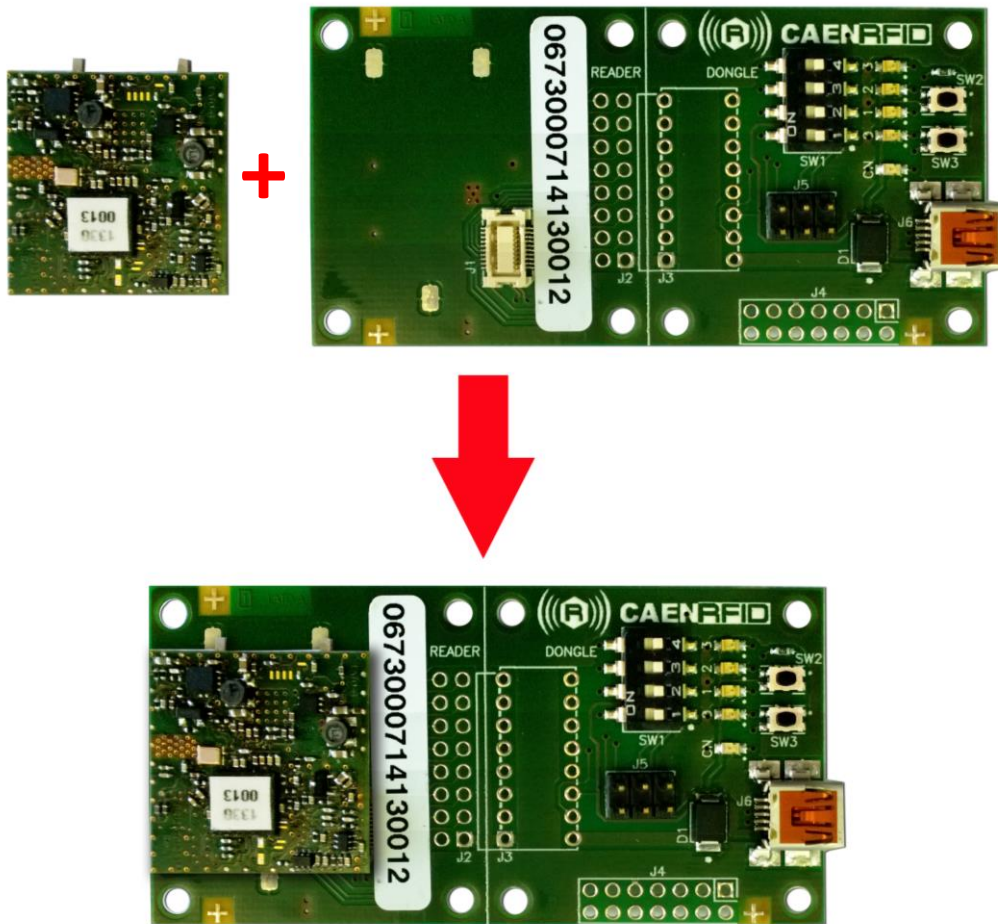


Fig. 1.5: Connection of the R1270CEVB to the Quark Up R1270 module

## 2 QUARK UP R1270

### Technical Specifications Table

<b>Frequency Band</b>	865.600÷867.600 MHz (ETSI EN 302 208 v3.1.1) 902÷928 MHz (FCC part 15.247)
<b>RF Power</b>	Programmable in 18 levels (1dB step) from 10dBm to 27dBm (from 10mW to 500mW) conducted
<b>Output Power Accuracy</b>	+/- 1dB
<b>Antenna VSWR Requirement</b>	2:1 or better for optimum performances
<b>Antenna Connector</b>	Nr. 1 U.FL type
<b>Frequency Tolerance</b>	±10 ppm over the entire temperature range
<b>Number of Channels</b>	4 channels (compliant to ETSI EN 302 208 v3.1.1) 50 hopping channels (compliant to FCC part 15.247).
<b>Standard Compliance</b>	EPC C1G2 [RD1]/ISO 18000-63
<b>Digital I/O</b>	4 I/O lines (3.3V level; Iout=3mA max)
<b>Connectivity</b>	USB interface: One USB 2.0 Full Speed (12Mbit/s) device port  UART Serial Port: Baudrate: up to 115200 Databits: 8 Stopbits: 1 Parity: none Flow control: none 3.3 V I/O Voltage Level
<b>DC Power</b>	5.0 VDC+/-5%
<b>Power Consumption</b>	2.7W @ RF out = 27dBm 1.6W @ RF out = 23dBm 0.15W in idle mode
<b>Operating Temperature</b>	-10 °C to +55 °C
<b>Dimensions</b>	(W)25 x (L)25 x (H)6 mm <sup>3</sup> (1.0 x 1.0 x 0.2 inch <sup>3</sup> )
<b>Weight</b>	5 g

Tab. 2.1: Quark Up R1270 Technical Specifications



**Warning:** The RF settings must match the country/region of operating to comply with local laws and regulations.

The usage of the reader in different countries/regions from the one in which the device has been sold is not allowed.

## External Connections

The location of the connectors is shown in Fig. 2.1. Their mechanical specifications are listed below:

**Antenna Port:** U.FL female (P.N. HIROSE: U.FL-R-SMT-1(10)).

**Supply and I/O connector:** Molex P.N. 53748-0208 (mates with Molex 52991-0208 to be used on the host board).

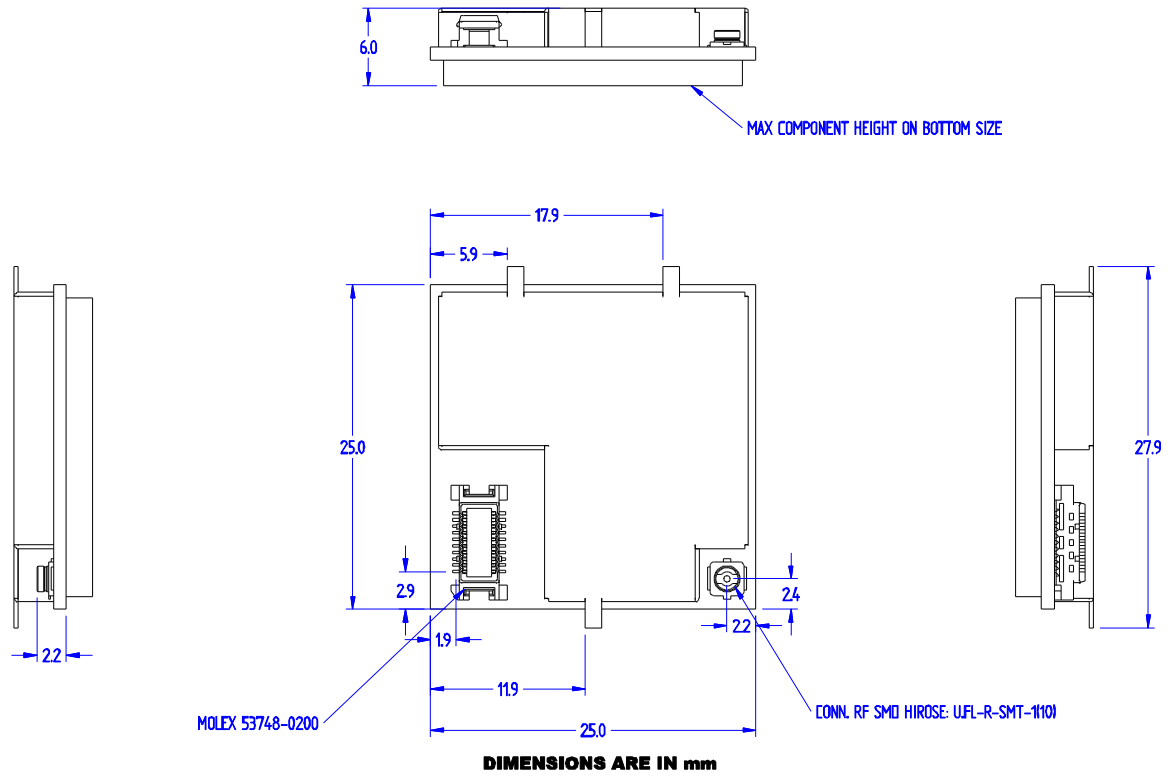


Fig. 2.1: Quark Up R1270 technical drawings

Supply and I/O connector pinout is shown in the following table<sup>1</sup>:

Pin #	Signal	Description
1	GND	Ground
2	TCK	TCK JTAG signal (debug purpose only)
3	GND	Ground
4	/RST	Reset
5	TXD	UART TX to host
6	TMS	TMS JTAG signal (debug purpose only)
7	RXD	UART RX from host
8	TDI	TDI JTAG signal (debug purpose only)
9	5V_USB	USB Vbus voltage
10	TDO	TDO JTAG signal (debug purpose only)
11	BSL_SEL	Bootloader interface selection
12	TST	TST JTAG signal (debug purpose only)
13	D+	USB data +
14	GPIO0	General Purpose IO #0
15	D-	USB data -
16	GPIO1	General Purpose IO #1
17	VIN	Input supply voltage
18	GPIO2	General Purpose IO #2
19	VIN	Input supply voltage
20	GPIO3	General Purpose IO #3

**Tab. 2.2: Quark Up R1270 connector pinout**

The GPIO0-GPIO3 pins are 4 general purpose bidirectional pins, their default direction at power up (or after a Reset) is input.

The reader can be controlled via UART or USB interface. The selection of the interface is performed internally to the module according to the following algorithm: if no interface has been previously selected and a high level signal is detected on the RXD pin, the UART interface is selected and the USB interface is disabled; on the contrary if no interface has been previously selected and RXD pin is at low level or left unconnected, the USB interface is selected and the UART interface is disabled. Please note that in case you want to switch between the two interfaces you have to reset the module.

For the USB interface a Virtual COM Port (VCP) is implemented.

To establish a link with the device using UART or VCP connection, you must configure your COM port as follows:

Baud rate: 115200  
 Parity: None  
 Data bits: 8  
 Stop bits: 1  
 Flow Control: none

JTAG pins, unless otherwise noted, are for internal debug purpose only and shall not be connected by the user.

/RST and BSL\_SEL pins shall be properly driven to start the bootloader of R1270 embedded microcontroller in case the user wants to upgrade the firmware image of the reader. In normal operation BSL\_SEL shall be at low level or left unconnected.

See § *BLS operation page 18* for the description of the bootloader operation.

<sup>1</sup> Debug purpose and unused pins should not be connected.

## R1270 supply and I/O connector electrical characteristics<sup>2</sup>

Pin name	Pin No.	Parameter	Min	Type	Max	Unit
GND	1,3					
TCK	2	VIL	-0.3		0.75	V
		VIH	1.5		3.6	V
		Input current			10	μA
/RESET	4	VIL	-0.3		0.6	V
		VIH	1.65		3.6	V
		Internal pull-up resistance		47		kΩ
		Pulse width	10			μs
TXD	5	VOL	0		0.55	V
		VOH	2.5		3.5	V
		Output current			3.0	mA
TMS	6	VIL	-0.3		0.75	V
		VIH	1.5		3.6	V
		Input current			10	μA
RXD	7	VIL	-0.3		0.75	V
		VIH	1.5		3.6	V
		Input current			10	μA
TDI	8	VIL	-0.3		0.75	V
		VIH	1.5		3.6	V
		Input current			10	μA
5V_USB	9	Input DC voltage	4.75	5.00	5.25	V
		Input current			20	mA
TDO	10	VOL	0		0.55	V
		VOH	2.5		3.5	V
		Output current			3.0	μA
BSL_SEL	11	VIL	-0.3		1.0	V
		VIH	2.2		3.6	V
		Internal pull-down resistance		10		kΩ
TST	12	VIL	-0.3		0.75	V
		VIH	1.5		3.6	V
		Internal pull-down resistance	45			kΩ
D+,D-	13,15	VOL	0		0.3	V
		VOH	2.8		3.6	V
		Impedance	28		44	Ω
GPIO[0:3]	14, 16, 18, 20	VOL	0		0.55	V
		VOH	2.5		3.5	V
		Output current			3.0	mA
		VIL	-0.3		0.75	V
		VIH	1.5		3.6	V
		Input current			10	μA

<sup>2</sup> Exceeding maximum values reported in the table may cause permanent damage to the model.

Pin name	Pin No.	Parameter	Min	Type	Max	Unit
VIN <sup>3</sup>	17,19	Input supply voltage	4.75	5.00	5.25	V
		Supply current (idle)			30	mA
		Supply current (RF ON @ 23dBm)			0.32	A
		Supply current (RF ON @ 27dBm)			0.55	A

Tab. 2.3: Quark Up R1270 supply and I/O connector electrical characteristics

## Power supply connection

In the following schematic suggested R1270 power supply connection is shown.

An external 100uF bypass capacitor between Vin and GND is recommended for proper operation.

The use of fuse F1 (or an equivalent solid state current limiter) is recommended since R1270 doesn't provide internal current limitation protection.

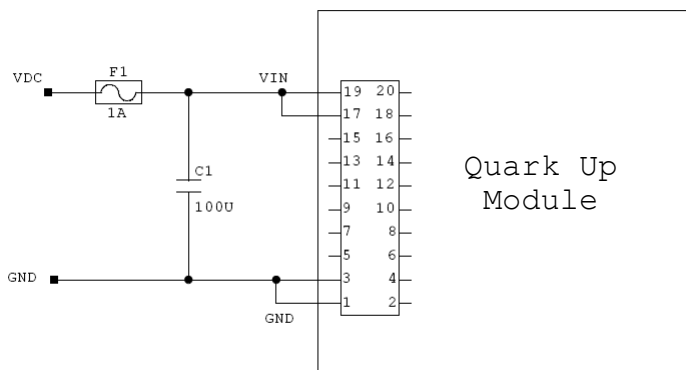


Fig. 2.2: Quark Up R1270 power supply connection

<sup>3</sup> External 100uF bypass capacitor between Vin and GND is recommended for proper operation.

## General purpose I/O connections

The GPIO0-GPIO3 pins are 4 general-purpose bidirectional pins. Their default direction after a power on reset or a general reset is set to input.

GPIO, when configured as Outputs, can be used to drive indicators as LEDs or buzzers or to send trigger signal to others equipments.

GPIO, when configured as Inputs, can accept control signals from other equipments or trigger signals from sensors (i.e. photocells).

In the following schematic an example of application of GPIO is shown.

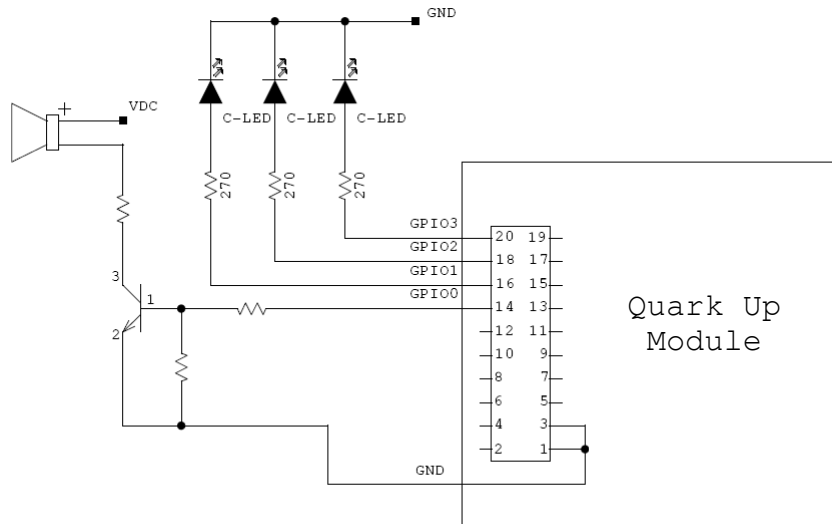


Fig. 2.3: Quark Up R1270 GPIO connection example

## External reset

R1270 manual reset can be performed by forcing at low level /RESET pin for 10μs at least. /RESET pin is pulled-up by an internal resistor.

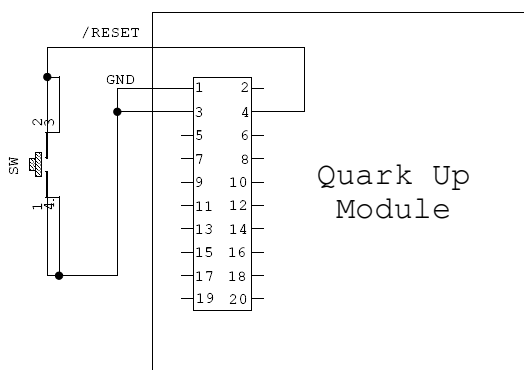


Fig. 2.4: Quark Up R1270 external reset

## UART connection

The RXD/TXD pins are used to communicate with the R1270 board via UART port. Since Quark Up RX/TX are TTL level signals, in order to connect it with a PC, a TTL/RS232 translator shall be used (please refer to the diagram below).

To establish a link with the device, the host COM port shall be configured as follows:

- Baud rate: 115200
- Parity: None
- Data bits: 8
- Stop bits: 1
- Flow Control: none

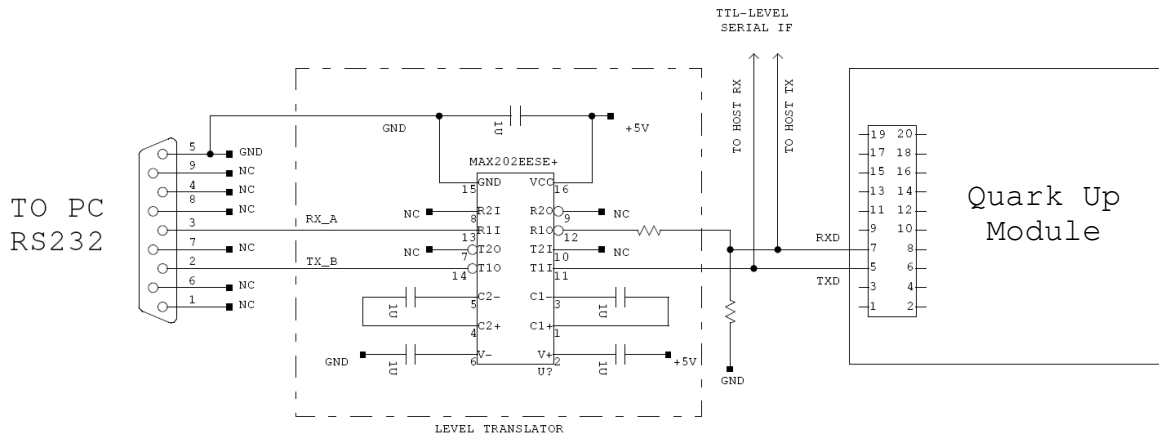


Fig. 2.5: Quark Up R1270 RS232 connection

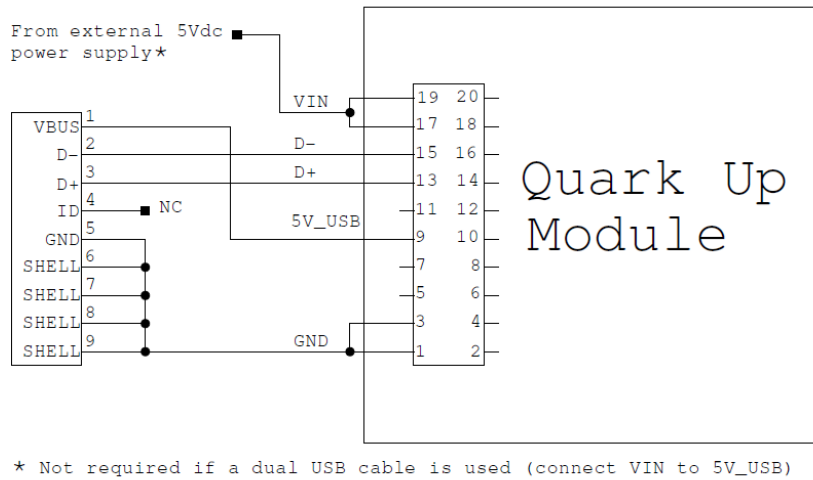


## USB connection

In the following image the connection between R1270 module and USB interface is shown.

Since the maximum supply current for the reader exceeds the USB limitation (500mA), the supply voltage shall be provided via an external power source or via a dual USB cable.

The 5V\_USB signal at pin 9 of reader connector is not intended to supply the module but is used by the reader to detect the presence of an USB host.



**Fig. 2.6: Quark Up R1270 USB connection**

A Virtual COM Port is implemented, in order to establish a link with the device, the host COM port shall be configured as follows:

Baud rate:	115200
Parity:	None
Data bits:	8
Stop bits:	1
Flow Control:	none

The VID/PID combination that identifies the USB device is:

VID: 21E1  
PID: 0080

## Antenna port specifications

In the following table the pinout of R1270 antenna is shown.

Pin #	Function	Direction	Description
INNER	RF OUT	OUT	RF output
OUTER	GND	-	Ground

**Tab. 2.4: RF port pinout**

Parameter	Min	Typ.	Max	Unit
RF output power	10		500	mW
	10		27	dBm
Output power vs. power setting accuracy			± 1	dB
RF port impedance		50		Ω
Recommended antenna VSWR			2:1	-

**Tab. 2.5: RF port electrical characteristics**

## Reader – Tag Link Profiles

Quark Up reader supports different modulation and return link profiles according to EPC Class1 Gen2 protocol.

In the following table are reported all profiles that have been tested for the compliance with ETSI and FCC regulations.

Link profile #	Regulation	Modulation	Return Link
0	ETSI - FCC	PR-ASK; f=40kHz	FMO; f = 40kHz
1	ETSI - FCC	PR-ASK; f=40kHz	Miller (M=4); f = 256kHz <sup>4</sup>
2	ETSI - FCC	PR-ASK; f=40kHz	Miller (M=4); f = 320kHz

Tab. 2.6: Quark Up R1270 reader to tag link profiles

## Firmware Upgrade

Quark Up reader firmware upgrade is based on Boot Start Loader (BSL) of the embedded microcontroller inside the module.

An upgrade software has been developed to be used with Quark Up evaluation board (mod. R1270CEVB).

### BSL operation

In order to start the BSL of Quark Up internal microcontroller /RST and BSL\_SEL signal shall be driven as in the picture below:

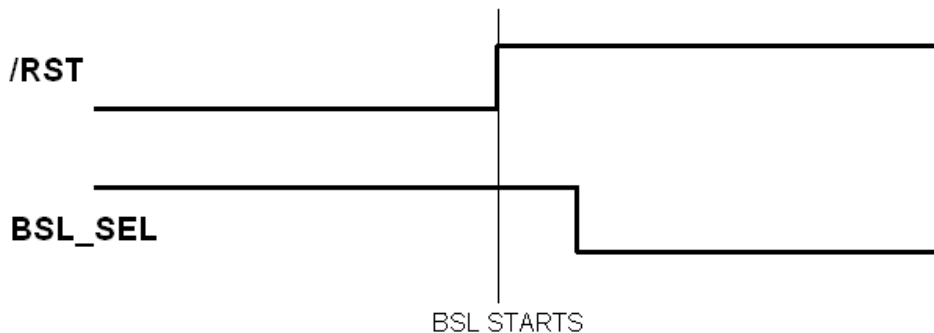


Fig. 2.7: BSL sequence

The BSL program execution starts if after a reset (or at power up) the BSL\_SEL pin is at high level for at least 100ms.

The selected interface for upgrade operation is the USB and the protocol applied is defined as:

- HID protocol with one input endpoint and one output endpoint. Each endpoint has a length of 64 bytes
- VID: 0x2047
- PID: 0x0200

<sup>4</sup> Default value.

## Firmware upgrade via R1270CEVB board

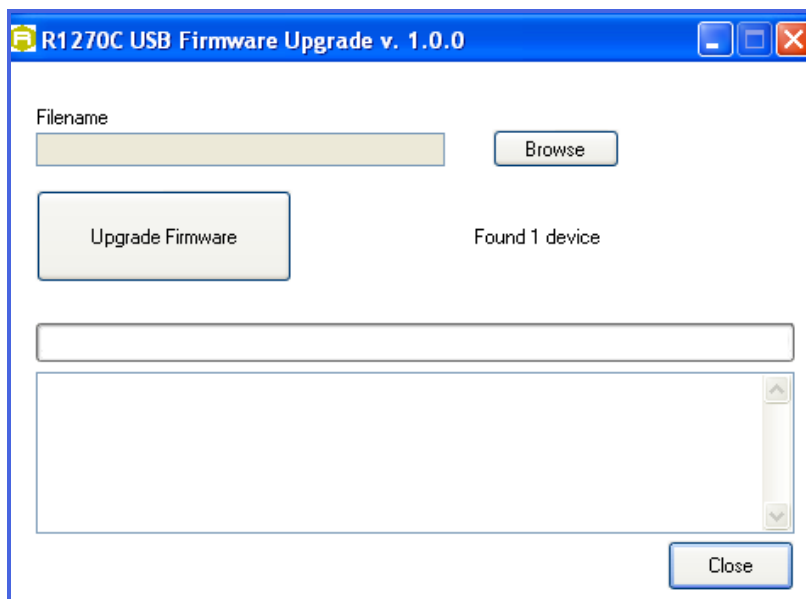
Quark Up firmware upgrade can be managed via USB by using the evaluation board (mod.R1270CEVB) and the SW upgrade program. The Quark Up Upgrade Tool is available for free at [Quark Up R1270 web page](#) of the CAEN RFID Web Site, *Download* section.

In order to upgrade the firmware follow the steps described below:

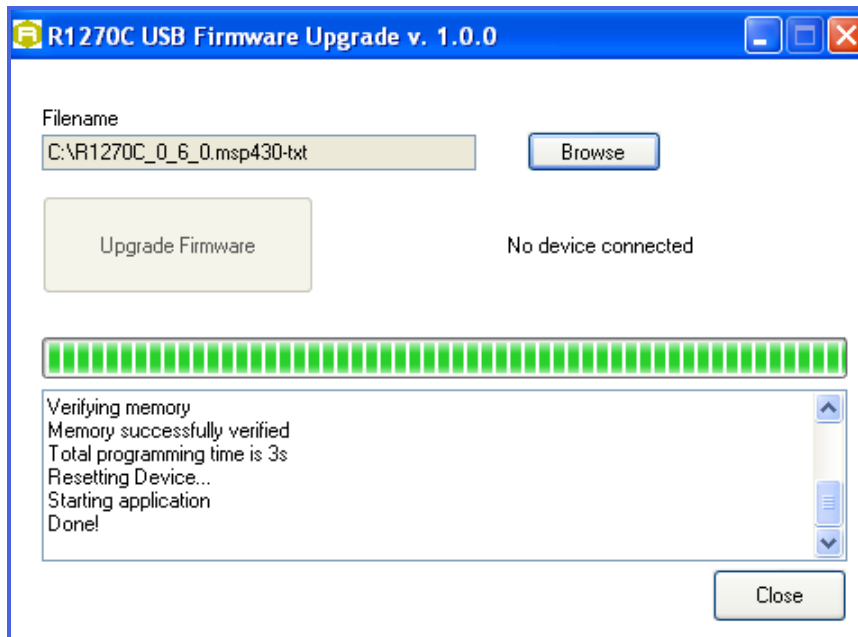
1. Connect to the USB port the evaluation board with the Quark Up reader installed.
2. Press the reset switch on the evaluation board (SW3).
3. With SW3 pressed, press the BSL\_SEL switch on the evaluation board (SW2).
4. Release SW3.
5. Release SW2 within 1s respect to SW3.
6. Open the FW upgrade program.
7. Click on Next button.



8. In the window you will see the message "Found 1 device" (if the message is "No device connected" repeat the points 2,3, 4 and 5).



9. Select the FW image file by clicking on “Browse” button.
10. Click on “Upgrade Firmware” button and wait for the upgrade to be completed.
11. At the end of procedure, if the upgrade has been successfully performed, you will see the messages reported in the image below and the module is ready for normal operation.



## PCB Pad Layout

In the picture below the recommended PCB pad layout to be implemented on the user host board is shown. The 3 square pads shall be used to solder R1270 shield and shall be connected to ground. In addition it is shown the position and the layout required for Molex 52991-0208 connector, which mates with R1270 supply and I/O connector, and which shall be soldered on the host board.

### R1270 PCB FOOTPRINT

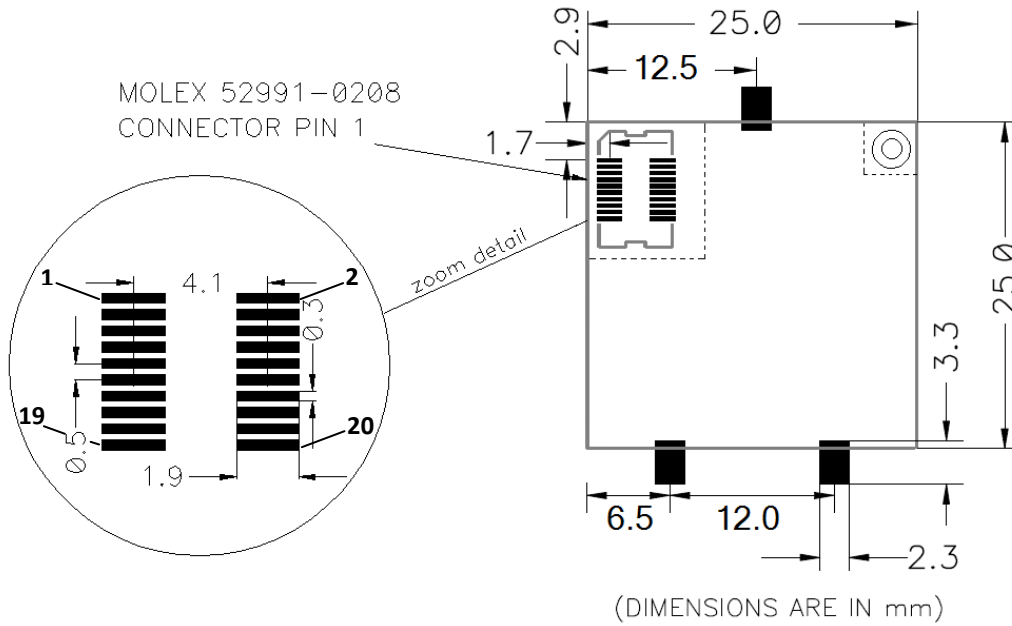


Fig. 2.8: PCB pad layout

# 3 QUARK UP R1270CEVB

## Technical Specifications Table

<b>Switch</b>	SW1= GPIO SW2= BSL_SEL SW3= RESET
<b>USB Port</b>	Mini USB Type A plug connector Bus powered USB 2.0 device Must be connected to two High-power Port (500 mA @ VBUS) with a dual USB cable. It appears as USB serial port Virtual Com Port (VCP) <sup>5</sup> drivers for Windows XP/Vista/Seven (7) Baudrate: 115200 Databits: 8 Stopbits: 1 Parity: none Flow control: none
<b>User Interface</b>	Red LED: Power Green LED: GPIO[0..3]
<b>Dimensions</b>	(W)38.0 x (L)76.0 x (H)12.0 mm <sup>3</sup> (1.5 x 3.0 x 0.5 inch <sup>3</sup> )
<b>Electrical Power</b>	DC Voltage 5V +/-5% Max 800 mA <sup>6</sup>
<b>Operating Temperature</b>	-10 °C to +55 °C

Tab. 3.1: R1270CEVB - Quark-Up Reader Evaluation Board



**Warning:** The RF settings must match the country/region of operating to comply with local laws and regulations.

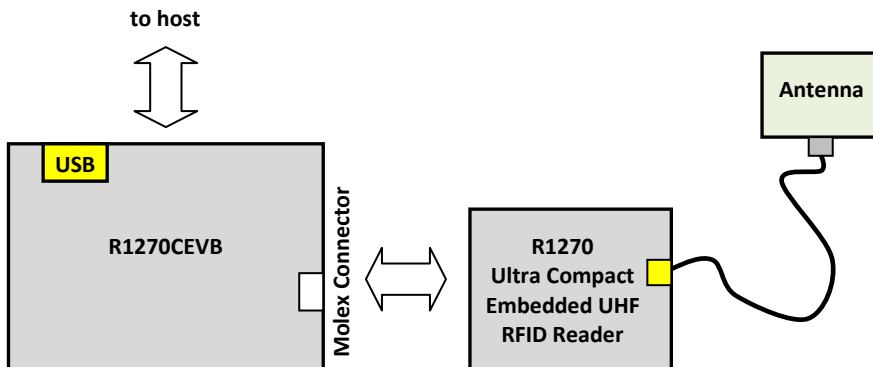
The usage of the reader in different countries/regions from the one in which the device has been sold is not allowed.

<sup>5</sup> You can download VCP drivers for Windows based systems from the CAEN RFID Web Site at [Quark Up R1270 page](#).

<sup>6</sup> With Quark Up reader operating.

## Connection diagram

The following block diagram shows how to connect the Mod. R1270 with the PC host via the Mod. R1270CEVB evaluation board.



## Installation Notice

Refer to § Installation Notice page 9 for the correct way to connect the Quark Up R1270 module to the evaluation board.

## Technical drawings

The location of the connectors is shown in Fig. 3.1. Their mechanical specifications are listed below.

All dimensions are in millimeters.

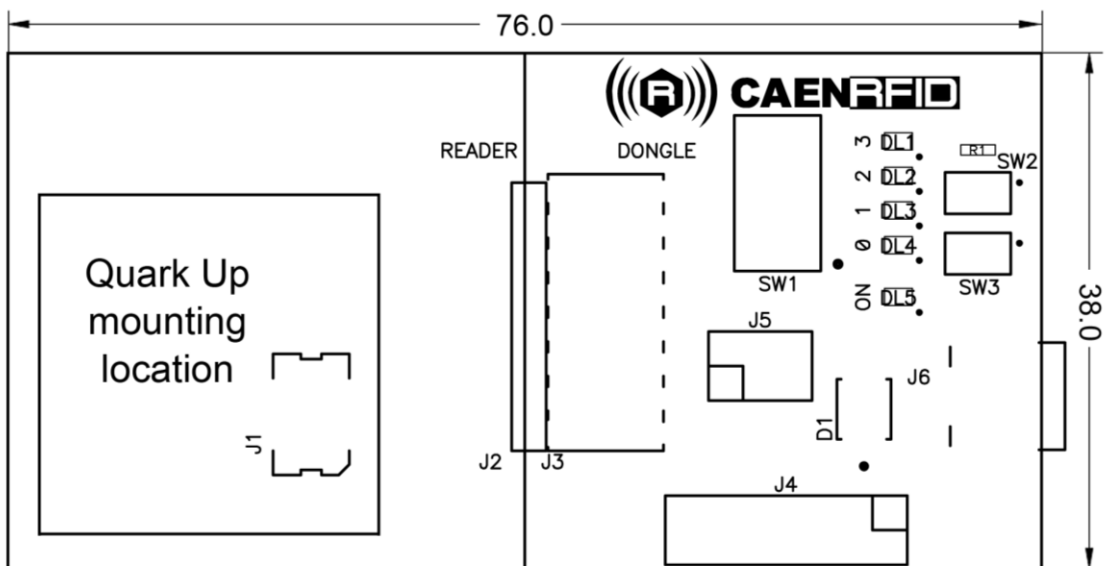


Fig. 3.1: Quark Up R1270CEVB technical drawing

# Electrical scheme

The electrical scheme of the Quark Up R1270CEVB is shown in Fig. 3.2: Quark Up R1270CEVB electrical scheme.

The board hosts an embedded DC/DC boost converter that is used to compensate voltage drop across USB cable. This circuit can be used as a reference design for standard 3.7V battery applications.

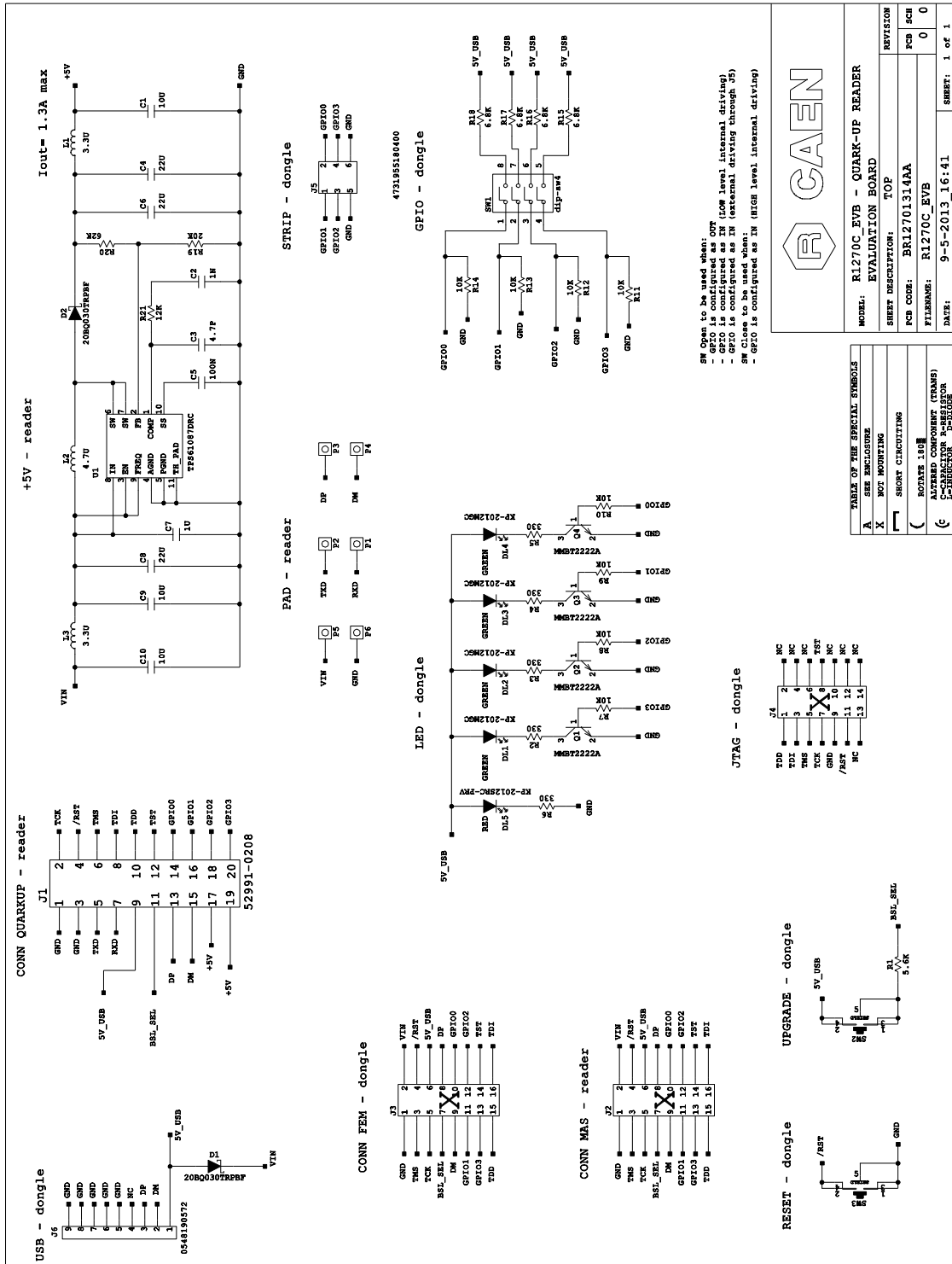


Fig. 3.2: Quark Up R1270CEVB electrical scheme



## External Connections

GPIO connector pinout (J5) is shown in the following table:

Pin #	Signal
1	GPIO 1
2	GPIO 0
3	GPIO 2
4	GPIO 3
5	GND
6	GND

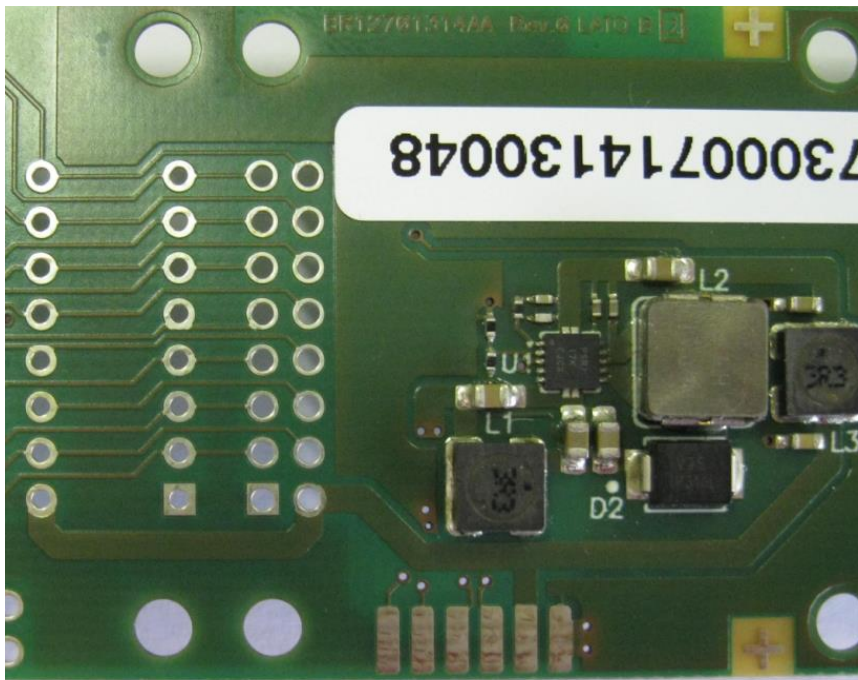
Tab. 3.2: Quark Up R1270CEVB GPIO connector pinout

J4 (not populated) is the JTAG connector for internal debug purposes and shall not be used.

In case an OEM manufacturer wants to connect the module to its own device for testing purposes, SMT pads are present on the bottom side of the board for power supply, UART and USB signals.

Pad #	Signal
P1	RXD
P2	TXD
P3	D+
P4	D-
P5	Vin (2.5Vdc ÷ 4.5Vdc)
P6	GND

Tab. 3.3: Quark Up R1270CEVB SMT pads signals



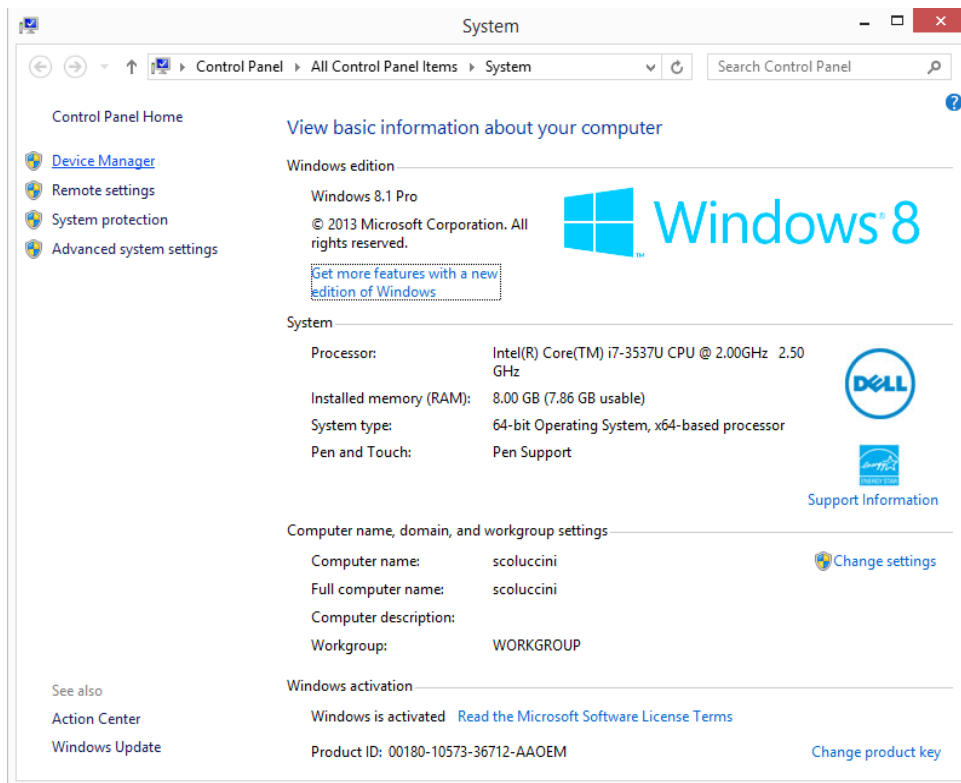
P1 P2 P3 P4 P5 P6

Fig. 3.3: Quark Up R1270CEVB SMT pads

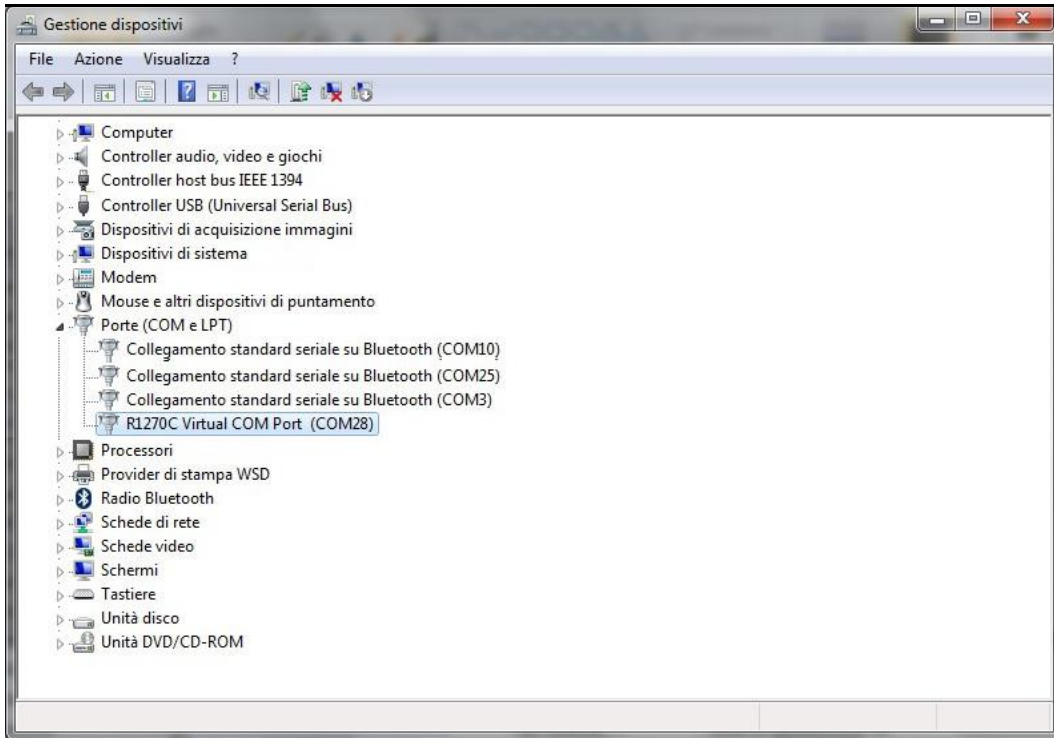
## USB Communication Setup

The Quark reader can be connected to a PC using the evaluation board and it is detected by the PC as an emulated serial port. In order to correctly operate with the reader you need to install a driver:

1. Connect the Quark Up R1270 module to the evaluation board as shown in the § *Installation Notice* page 9 and then to a PC using the provided USB cable.
2. A dialog window appears informing you that the device is not recognized. In order to correctly operate with the reader you need to install the VCP (Virtual Com Port) drivers for your operating system. You can download VCP drivers for Windows based systems from the CAEN RFID Web Site from the [Quark Up R1270 web page](#), *Downloads* section or from the [Software and Firmware download area](#).
3. Open the System properties: go to *Control Panel* → *All Control Panel Items* → *System* and click on *Device Manager*.



4. After having installed the driver, the reader is detected by the PC as an emulated serial port (VCP):



# 4 REGULATORY COMPLIANCE

## FCC Compliance

This equipment has been tested and found to comply with Part 15 of the FCC Rules.

NOTE:

- a. Any changes or modification not approved by CAEN RFID could void the user's authority to operate the equipment.
- b. The Quark Up R1270 Module, which is rated at 500 mW output, is approved for operation with the following antennas:
  - QUAD - Circular Polarized Quadrifilar Antenna (CAEN RFID mod. WANTENNAX010) with 0.7dBi gain.
  - UHF Near Field Antenna (CAEN RFID mod. 7R1251IUNFAA) with -8dBi gain.
  - UHF RFID Antenna IER mod. S33303A with -20dBi gain.

Use of other than the approved antennas with this unit may result in harmful interference with other users, and cause the unit to fail to meet regulatory requirements.

- c. This transmitter module is authorized to be used in other devices only by OEM integrators under the following conditions:
  1. The RFID Module antenna shall have a separation distance of at least 20 cm from all persons
  2. The transmitter module must not be co-located with any other antenna or transmitter
- d. The host integrator installing this module into their product must ensure that the final composite product complies with the FCC requirements by a technical assessment or evaluation to the FCC rules, including the transmitter operation and should refer to guidance in KDB 996369.
- e. The product requires professional installation since one of the approved antennas (IER mod. S33303A) has a standard type SMA jack connector.
- f. The module is authorized for FCC part 15.247 only, the host product manufacturer is responsible for compliance to any other FCC rules that apply to the host not covered by the modular transmitter grant of certification.
- g. If the FCC ID is not visible when the module is installed inside another device, the OEM integrator shall apply a label in a visible area on his product with the following statement:

Contains Transmitter Module FCC ID: UVECAENRFID015

or

Contains FCC ID: UVECAENRFID015

- h. The OEM integrator has to be aware not to provide information to the end user regarding how to install or remove this RF module or change RF related parameters in the user manual of the end product.

## CE Compliance

Reference standard:

ETSI EN 301 489-1 V2.2.0:2017

EN 55032:2012

CEI EN 55024:2013

ETSI EN 302 208 V3.1.1:2017

ETSI EN 301 489-3 V2.1.1:2017

CEI EN 60950-1:2007 +/A11:2010 +/A1:2012 +/A12:2012

CEI EN 50364:2011

See § *Quark Up CE Declaration of Conformity* page 30 for the Quark Up R1270 CE Compliance Certificate.

## RoHS EU Directive

The Quark Up R1270 UHF RFID Ultra Compact Module is compliant with the EU Directive 2011/65/EU on the Restriction of the Use of certain Hazardous Substances in Electrical and Electronic Equipment (RoHS2).

# Quark<sup>Up</sup> R1270

## CE DECLARATION OF CONFORMITY

We

CAEN RFID Srl  
Via Vetraia, 11  
55049 Viareggio (LU)  
Italy  
Tel.: +39.0584.388.398 Fax: +39.0584.388.959  
Mail: info@caenrfid.com  
Web site: www.caenrfid.com

herewith declare under our own responsibility that the product:

**Code:** WR1270CXAAAA  
**Description:** R1270 - Ultra Compact Embedded UHF RFID Reader

corresponds in the submitted version to the following standards:

ETSI EN 301 489-1 V2.2.0:2017  
EN 55032:2012  
CEI EN 55024:2013  
ETSI EN 302 208 V3.1.1:2017  
ETSI EN 301 489-3 V2.1.1:2017  
CEI EN 60950-1:2007 +/A11:2010 +/A1:2012 +/A12:2012  
CEI EN 50364:2011

and declare under our sole responsibility that the specified product meets the principle requirements and other applicable regulations of directives 2014/53/EU (RED) and 2011/65/EU (RoHS2)

Date: 28/05/2019

  
CAEN RFID Srl  
Via Vetraia, 11  
55049 VIAREGGIO - ITALY  
VAT IT 02032050466

Adriano Bigongiari (Chief Executive Officer)

On the basis of this declaration, these products will bear the following mark:

