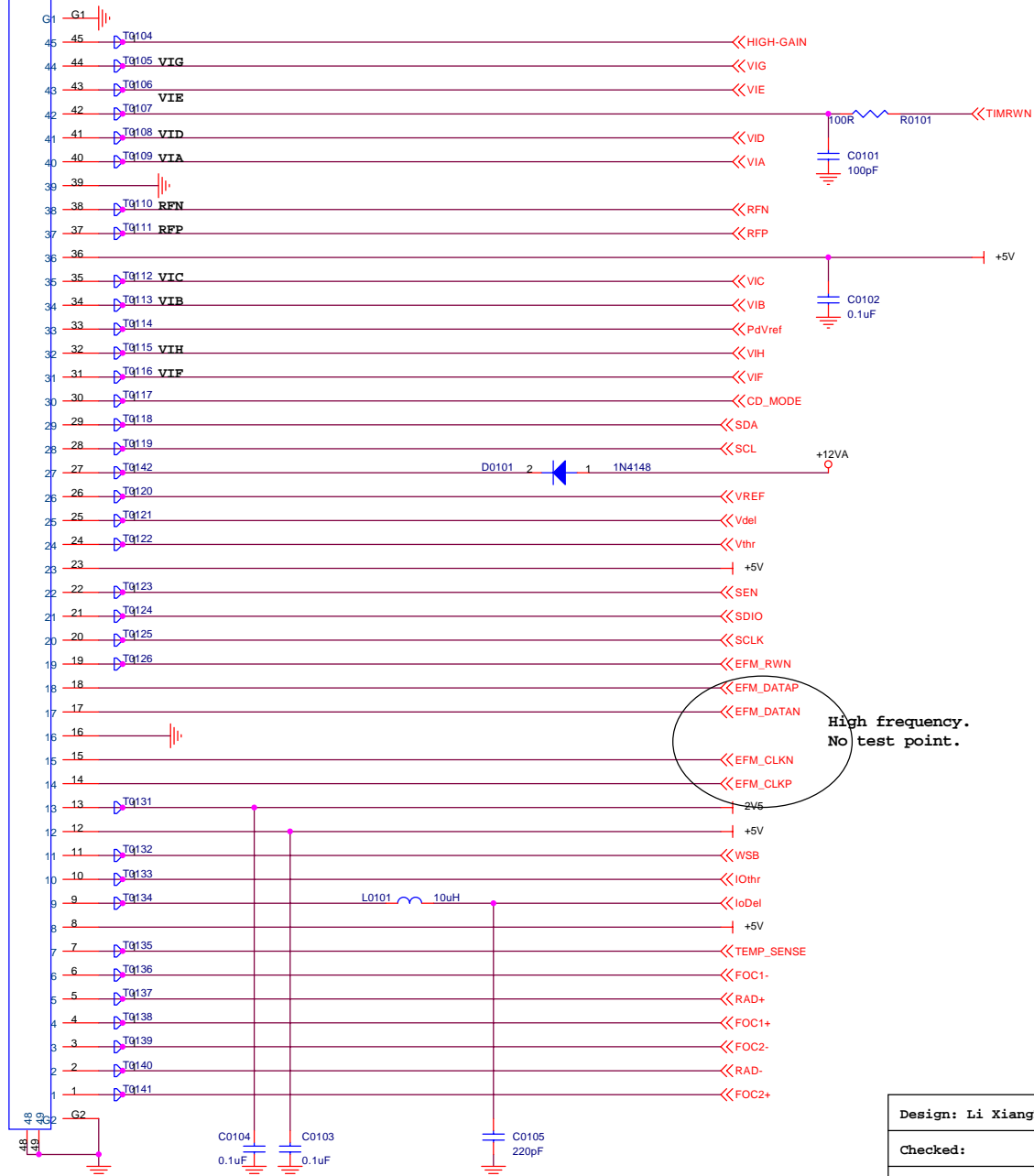


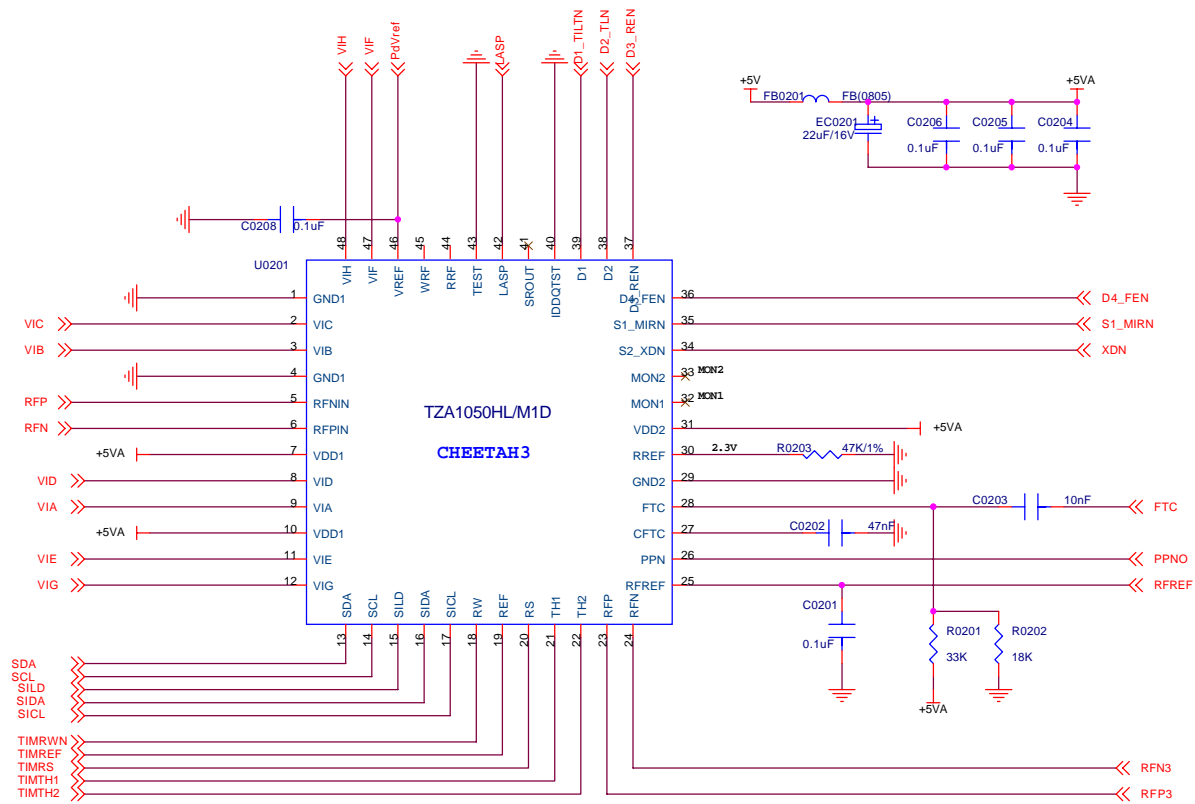
J0101

45pin_FFC.CON



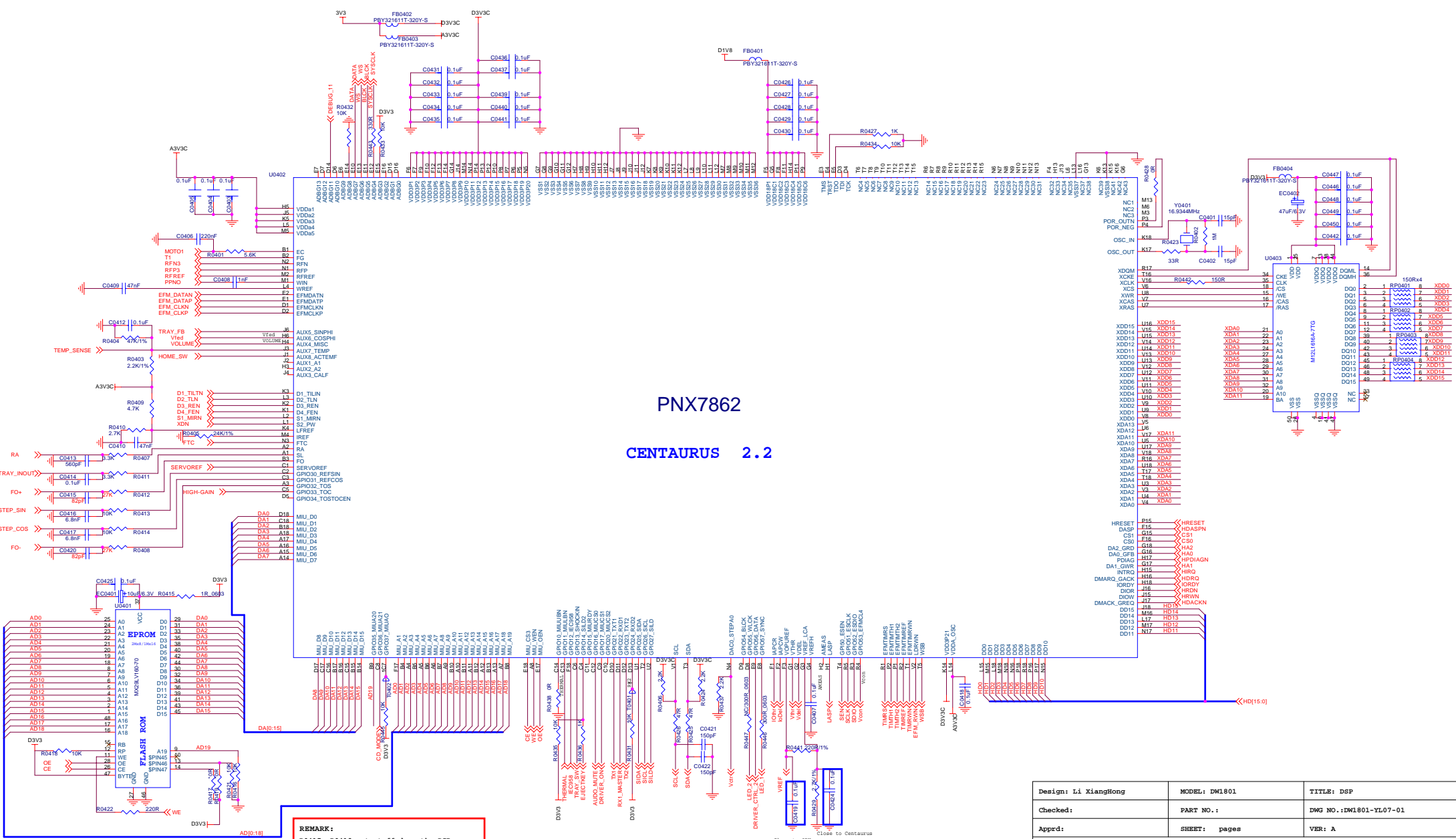
High frequency.
No test point.

Design: Li XiangHong	MODEL: DW1801	TITLE: OPU connector
Checked:	PART NO.:	DWG NO.:DW1801-YL07-01
Apprd:	SHEET: pages	VER: A
SHEN ZHEN MTC MULTIMEDIA CO.,LTD		



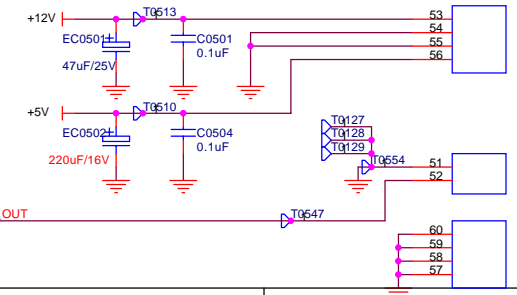
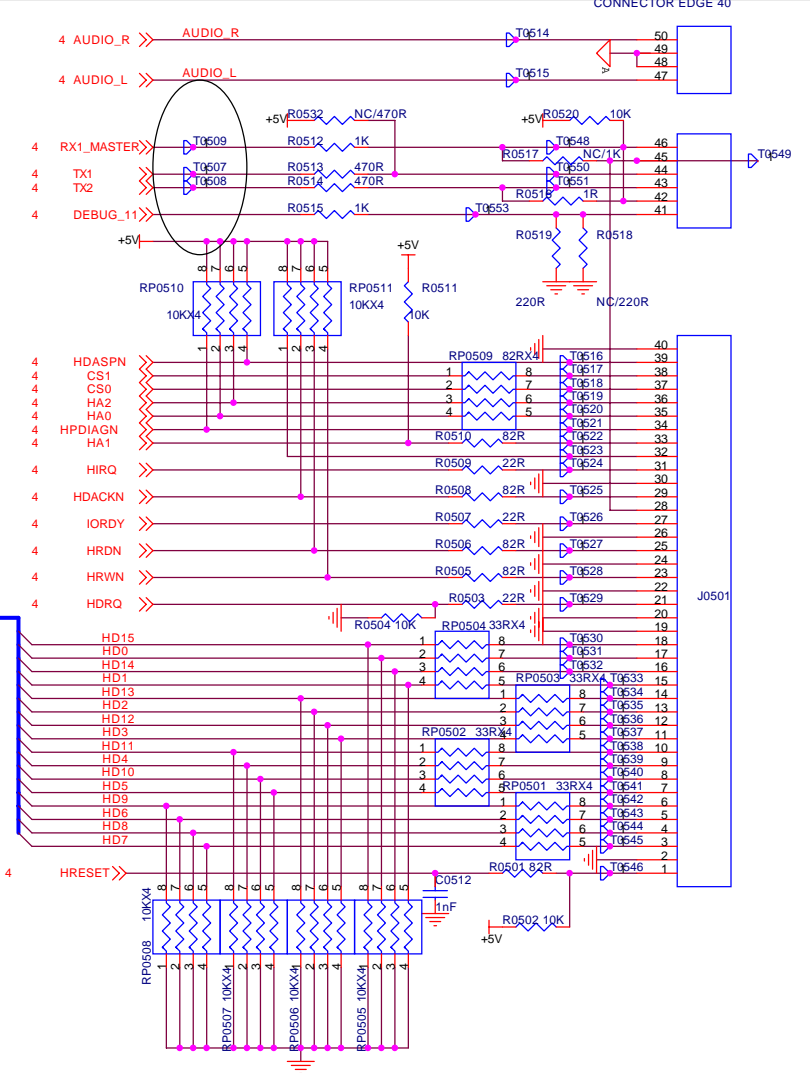
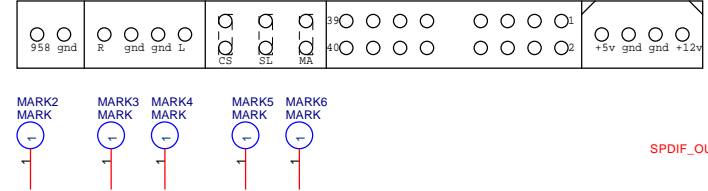
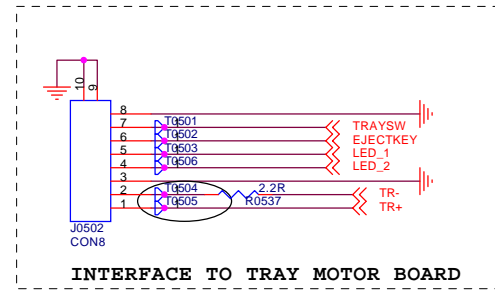
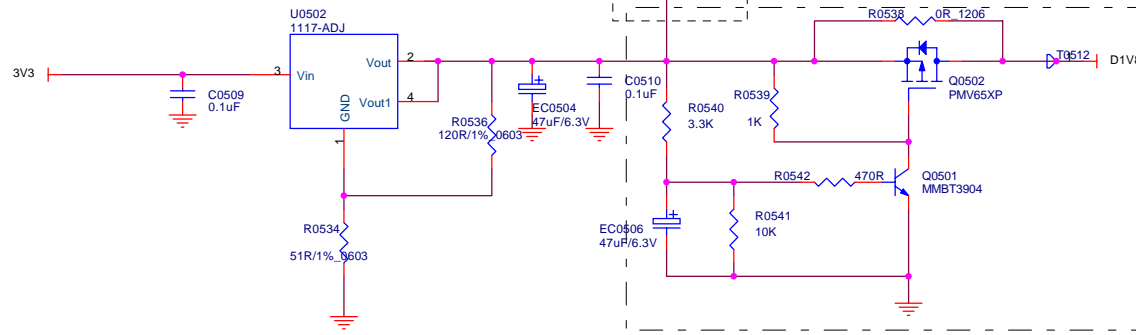
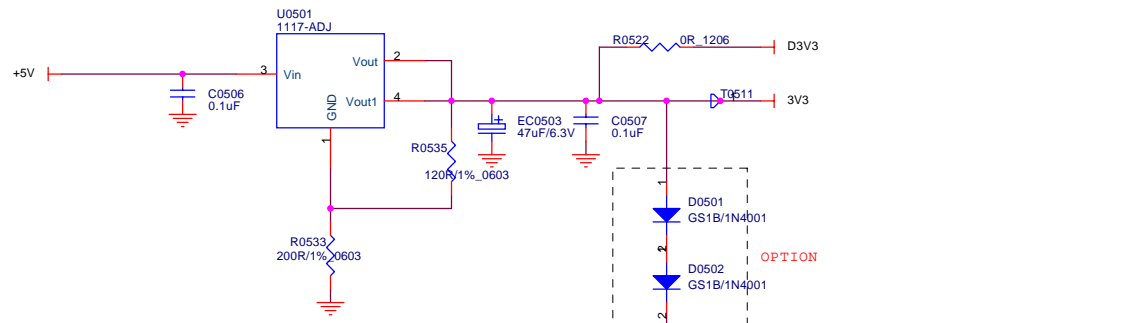
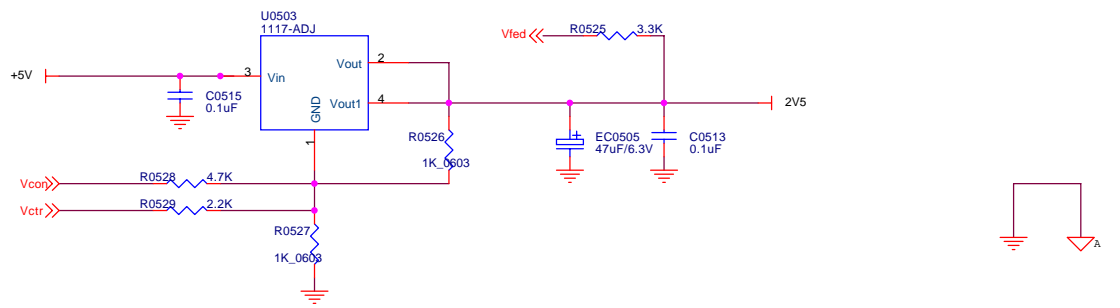
Design: Li XiangHong	MODEL: DW1801	TITLE: RF
Checked:	PART NO.:	DWG NO.:DW1801-YL07-01
Apprd:	SHEET: pages	VER: A

SHEN ZHEN MTC MULTIMEDIA CO.,LTD



REMARK:
R0417, R0419 not stuffed on the PCB

Design: Li XiangHong	MODEL: DW1801	TITLE: DSP
Checked:	PART NO.:	DWG NO.: DW1801-YL07-01
Apprd:	SHEET: pages	VER: A
SHEN ZHEN MTC MULTIMEDIA CO.,LTD		



Design: Li XiangHong	MODEL: DW1801	TITLE: Power & ATAPI
Checked:	PART NO.:	DWG NO.:DW1801-YL07-01
Apprd:	SHEET: pages	VER: A
SHEN ZHEN MTC MULTIMEDIA CO.,LTD		

Schematics



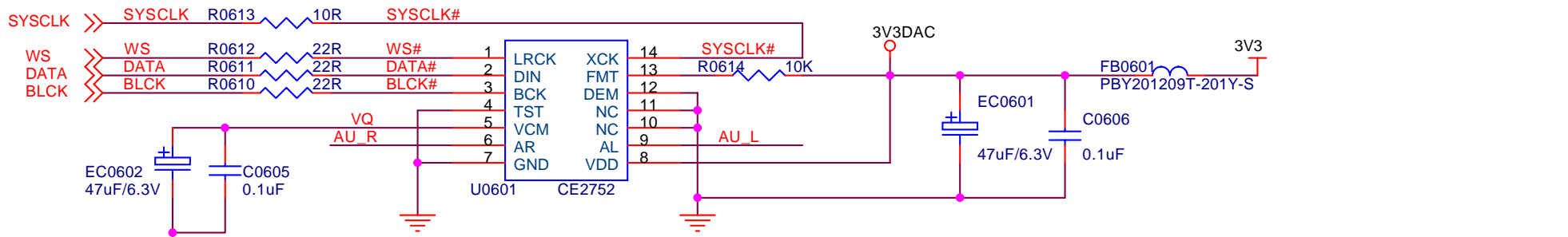
BlockDiagram



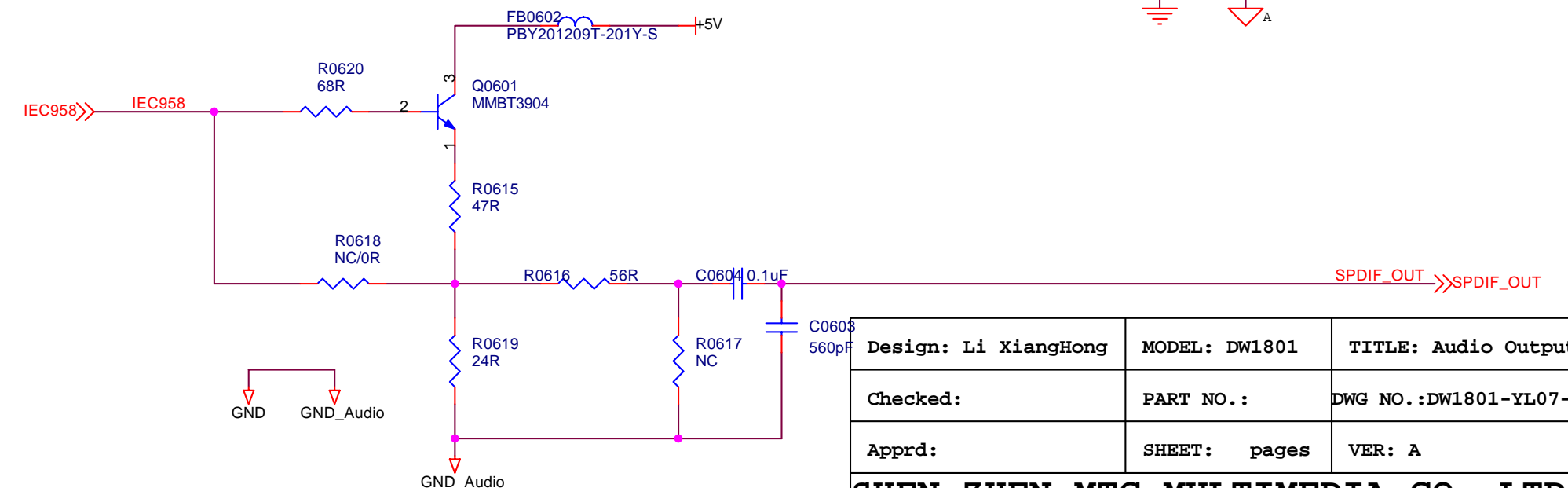
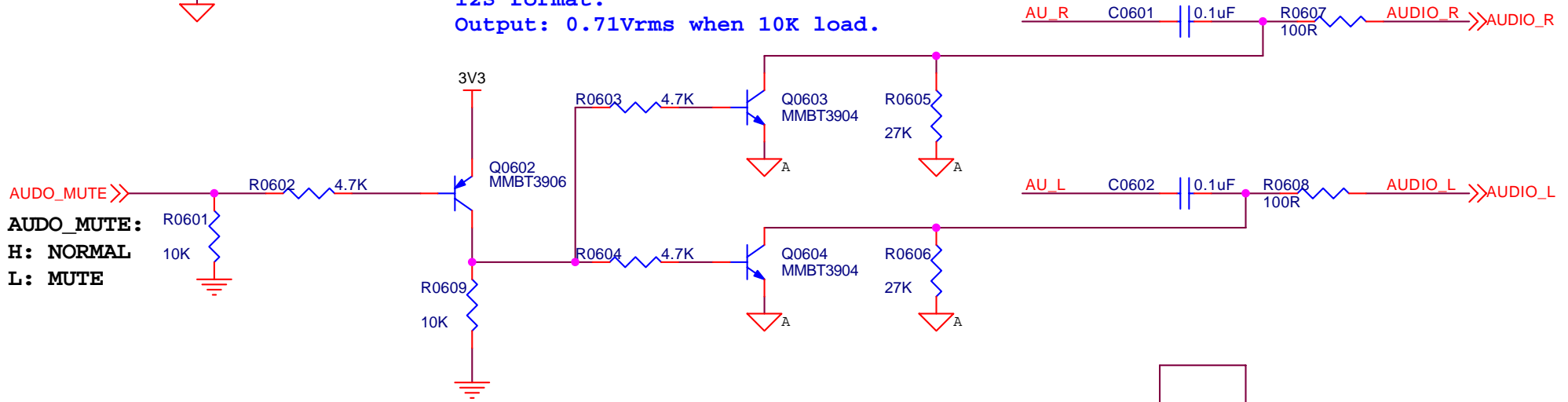
Design: Li XiangHong	MODEL: DW1801	TITLE: Cover page
Checked:	PART NO.:	DWG NO.:DW1801-YL07-01
Apprd:	SHEET: pages	VER: A

SHEN ZHEN MTC MULTIMEDIA CO.,LTD

QR-RD-016A



I2S format.
Output: 0.71Vrms when 10K load.



Design: Li XiangHong	MODEL: DW1801	TITLE: Audio Output
Checked:	PART NO.:	DWG NO.:DW1801-YL07-01
Apprd:	SHEET: pages	VER: A

SHEN ZHEN MTC MULTIMEDIA CO., LTD

Title <Title>			
Size A	Document Number <Doc>		Rev <RevCode>
Date:	Tuesday, November 07, 2006	Sheet	1 of 1