

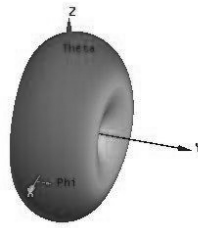
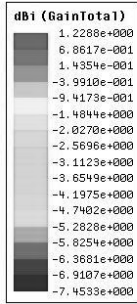
PART number:N/A

Antenna type:PCB Antenna

Designed By : Sino Wealth Electronic LTD.

Appendix A

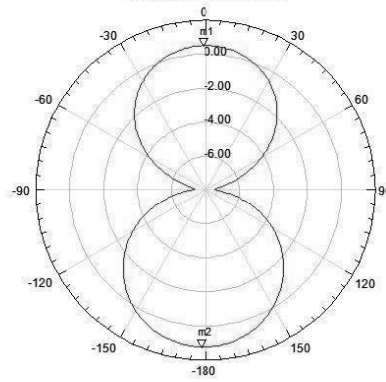
<i>Frequency</i>	<i>Max Total Gain</i>	<i>Effeciency</i>
<i>MHz</i>	<i>dBi</i>	<i>%</i>
2400	-0.46	32
2402	-0.39	32
2404	-0.35	32
2406	-0.32	33
2408	-0.3	33
2410	-0.25	33
2412	-0.22	33
2414	-0.18	34
2416	-0.13	34
2418	-0.06	34
2420	0	35
2422	0.05	35
2424	0.09	35
2426	0.16	35
2428	0.24	35
2430	0.31	35
2432	0.39	36
2434	0.5	36
2436	0.65	37
2438	0.87	38
2440	1.22	38
2442	0.96	38
2444	0.73	37
2446	0.61	37
2448	0.53	37
2450	0.44	37
2452	0.4	36
2454	0.35	36
2456	0.27	35
2458	0.19	35
2460	0.12	35
2462	0.07	35
2464	-0.01	34
2466	-0.08	34
2468	-0.14	34
2470	-0.23	33
2472	-0.27	33
2474	-0.33	33
2476	-0.37	33
2478	-0.4	33
2480	-0.42	33
2482	-0.43	33



Name	Phi	Ang	dBi
m1	360.0000	-0.0000	0.5071
m2	181.0000	-179.0000	1.2262

XY_Plane

Radiation Pattern 1



Curve Info

— dBi (GainTotal)

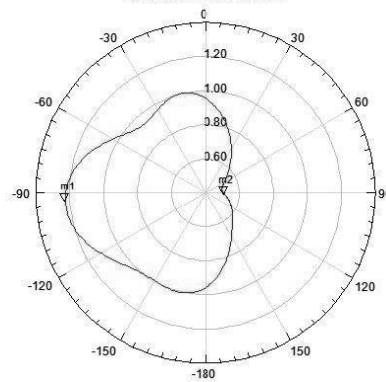
Setup1 : LastAdaptive

Freq=2.44GHz Theta=90deg

Name	Theta	Ang	dBi
m1	-93.0000	-93.0000	1.2257
m2	92.0000	92.0000	0.5101

XZ_Plane

Radiation Pattern 2



Curve Info

— dBi (GainTotal)

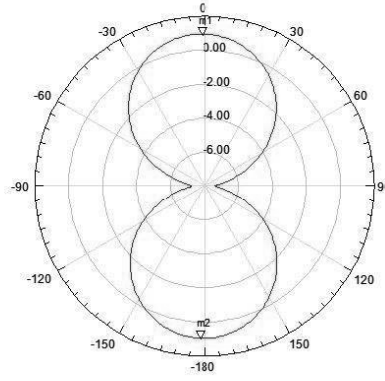
Setup1 : LastAdaptive

Freq=2.44GHz Phi=0deg

Name	Theta	Ang	dBi
m1	0.0000	0.0000	0.9557
m2	-179.0000	-179.0000	0.9583

YZ_Plane

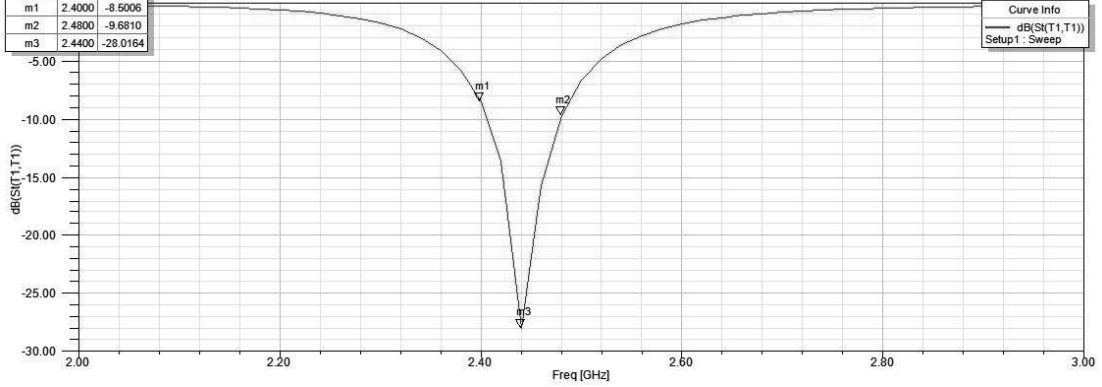
Radiation Pattern 3



Curve Info	
—	dBi(GainTotal)
Setup1 : LastAdaptive	
Freq=2.44GHz' Phi=90deg	

Name	X	Y
m1	2.4000	-8.5006
m2	2.4800	-9.6810
m3	2.4400	-28.0164

XY Plot 1



Curve Info	
—	dB(S(T1,T1))
Setup1 : Sweep	