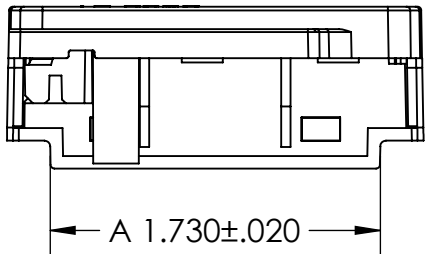


8 7 6 5 4 3 2 1



REVISIONS			
REV.	DESCRIPTION	DATE	DRAWN
A	INITIAL RELEASE	5/20/2022	TH
B	ADDED MODEL INFORMATION	7/22/2022	TH

D

D

C

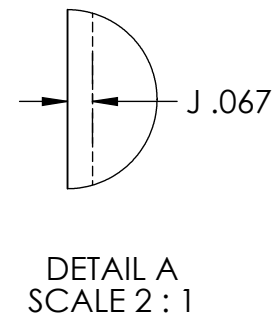
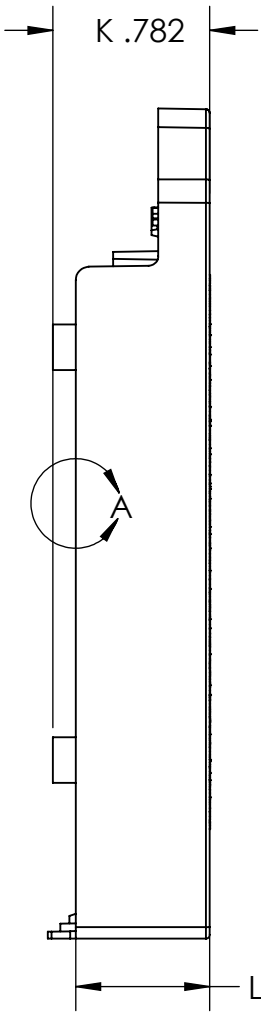
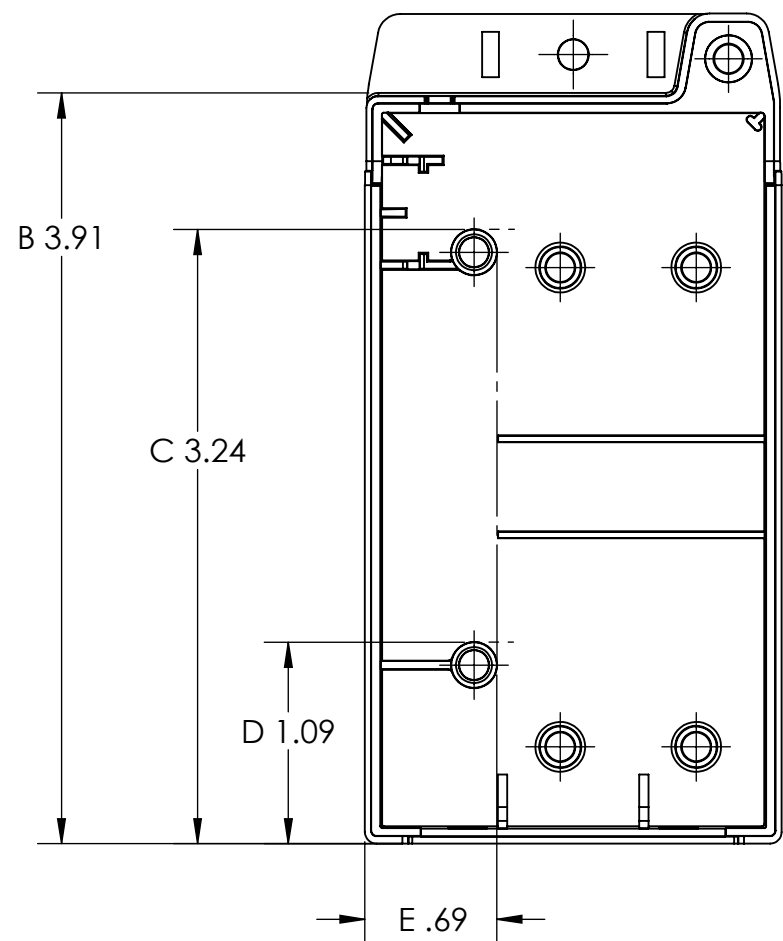
C

B

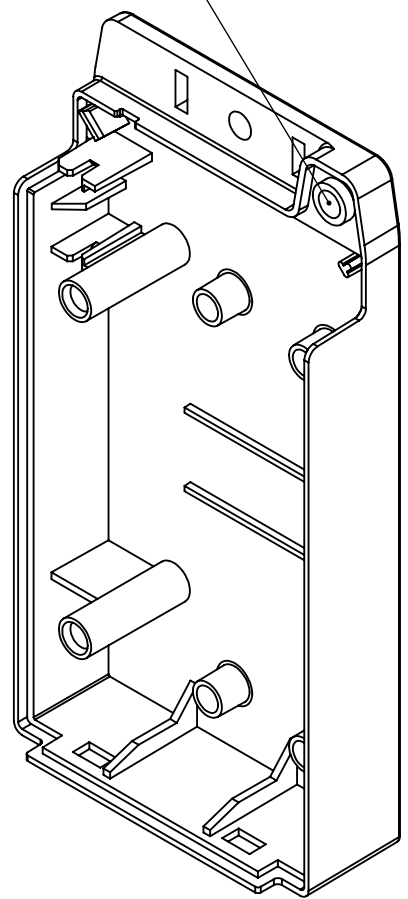
B

A

A



INSERT PEM\_PKB-440



- NOTES:
- FOR INSPECTION ONLY, PART FILES DO NOT MATCH AS MOLDED PART
  - LETTERS LEADING THE DIMENSIONS ARE FOR EASE OF INSPECTION
  - MATERIAL: FR3010-013689 PC/ABS WHITE
  - PRESS IN INSERT PEM\_PKB-440, WITH SCREW 440\_250\_SS\_BO\_91249A105

FCC ID: UUYESS900 IC ID: 6891A-ESS900

UNLESS OTHERWISE SPECIFIED:  
 DIMENSIONS ARE INCHES  
 .X ± 0.030  
 .XX ± 0.010  
 .XXX ± 0.005

CORNER BREAK (EXTERNAL)  
 (DEBURR) R.002 TO R.020  
 (OR EQUIVALENT)

FILLET RADII (INTERNAL R.002  
 TO R.020)

∠ : ± 0.5°

These drawings and specifications are the property of Mesa Laboratories, Inc. and shall not be reproduced, copied, or used for manufacture or sale of apparatus, in whole or in part, without the written approval of Mesa Laboratories, Inc.	
DRAWN T HAROVER	DATE 7/22/2022
MATERIAL: ABS	
FINISH:	

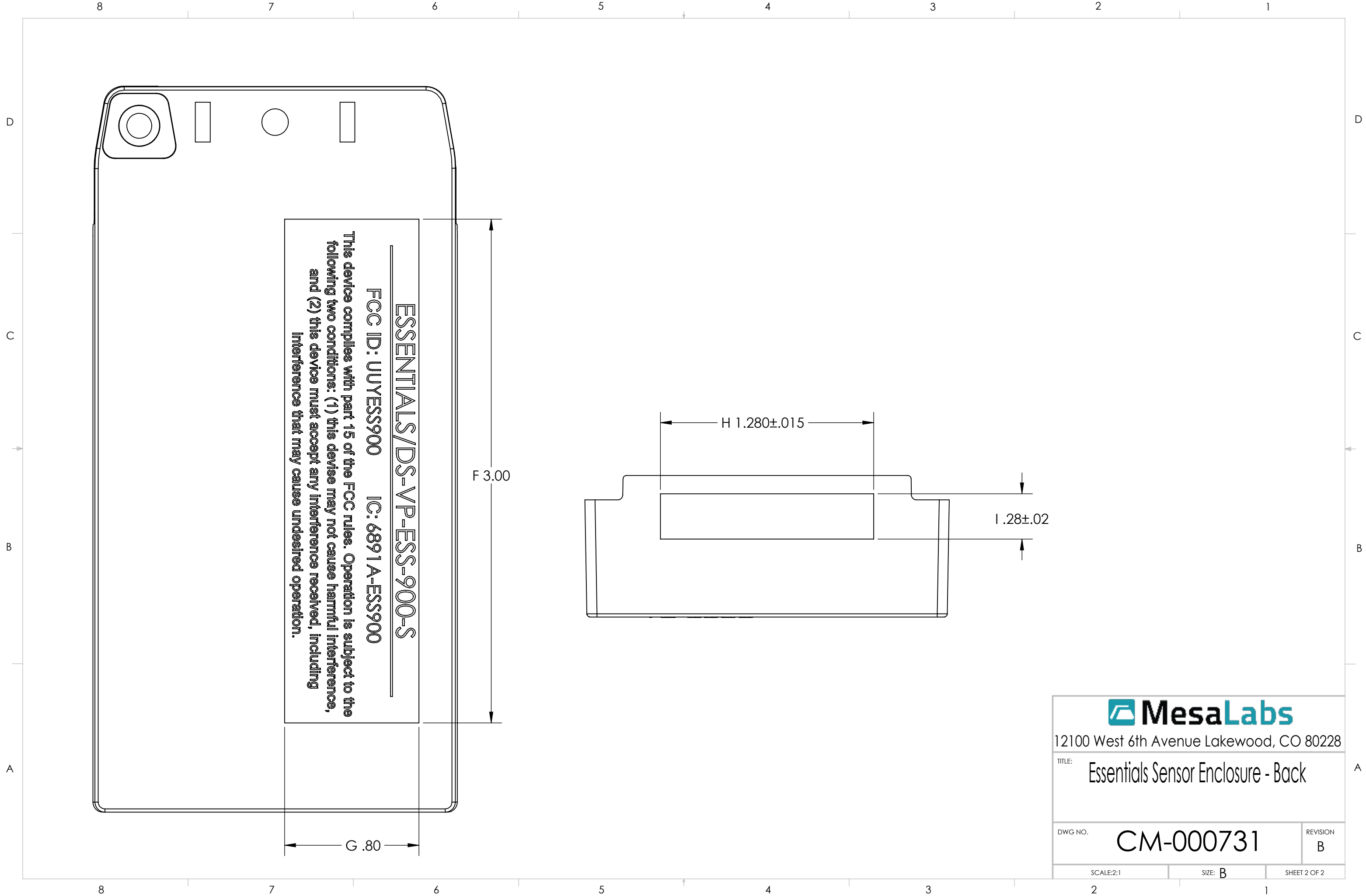
**MesaLabs**  
 12100 West 6th Avenue Lakewood, CO 80228


TITLE:  
 Essentials Sensor Enclosure - Back

DWG NO. **CM-000731** REVISION **B**

SCALE:1:1 SIZE: B SHEET 1 OF 2

8 7 6 5 4 3 2 1



 12100 West 6th Avenue Lakewood, CO 80228		
TITLE: Essentials Sensor Enclosure - Back		
DWG NO.	<b>CM-000731</b>	REVISION <b>B</b>
SCALE:2:1	SIZE: <b>B</b>	SHEET 2 OF 2

FCC ID: UUYESS900 IC ID: 6891A-ESS900

For the product number and FCC/IC identifies, VP Essentials DS-VP-ESS-900-S does not use a stick on label but has this information embedded on part of the back enclosure. This information is part of the mold that produces the back enclosure.