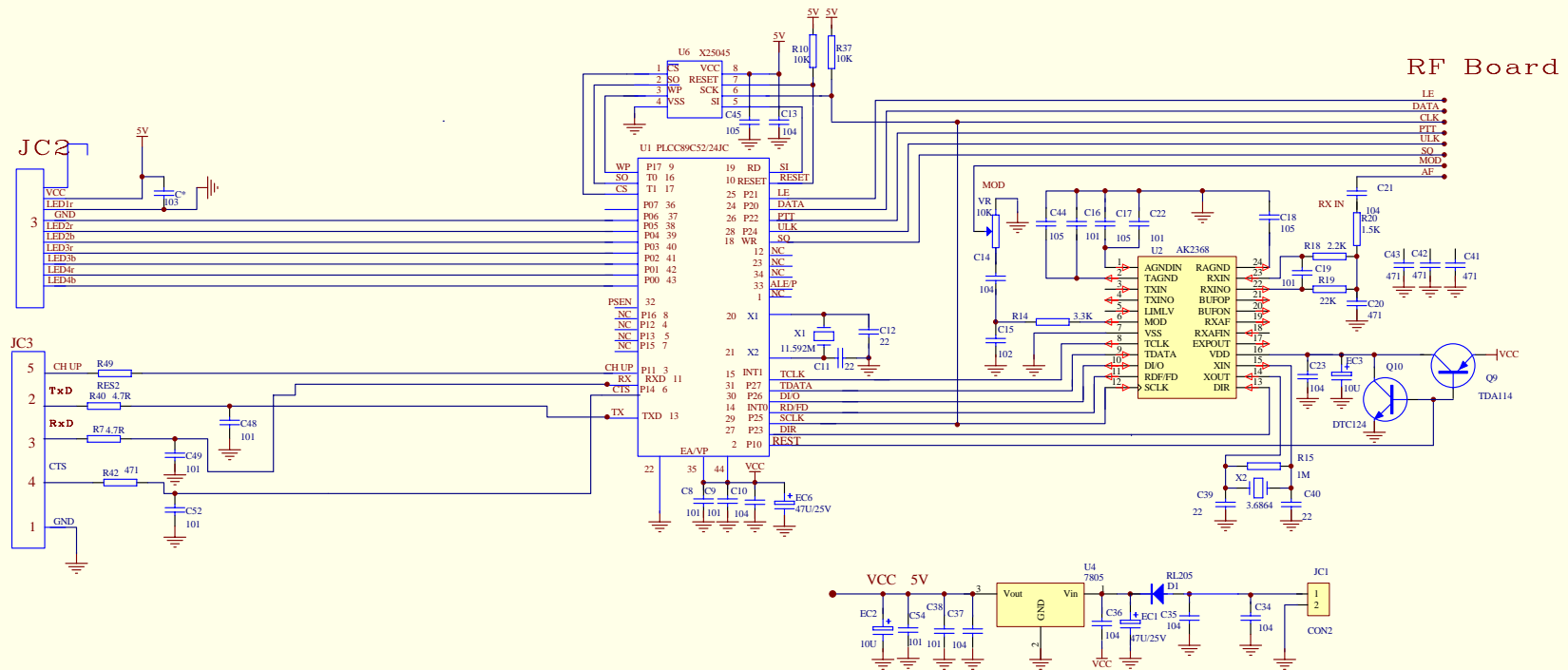
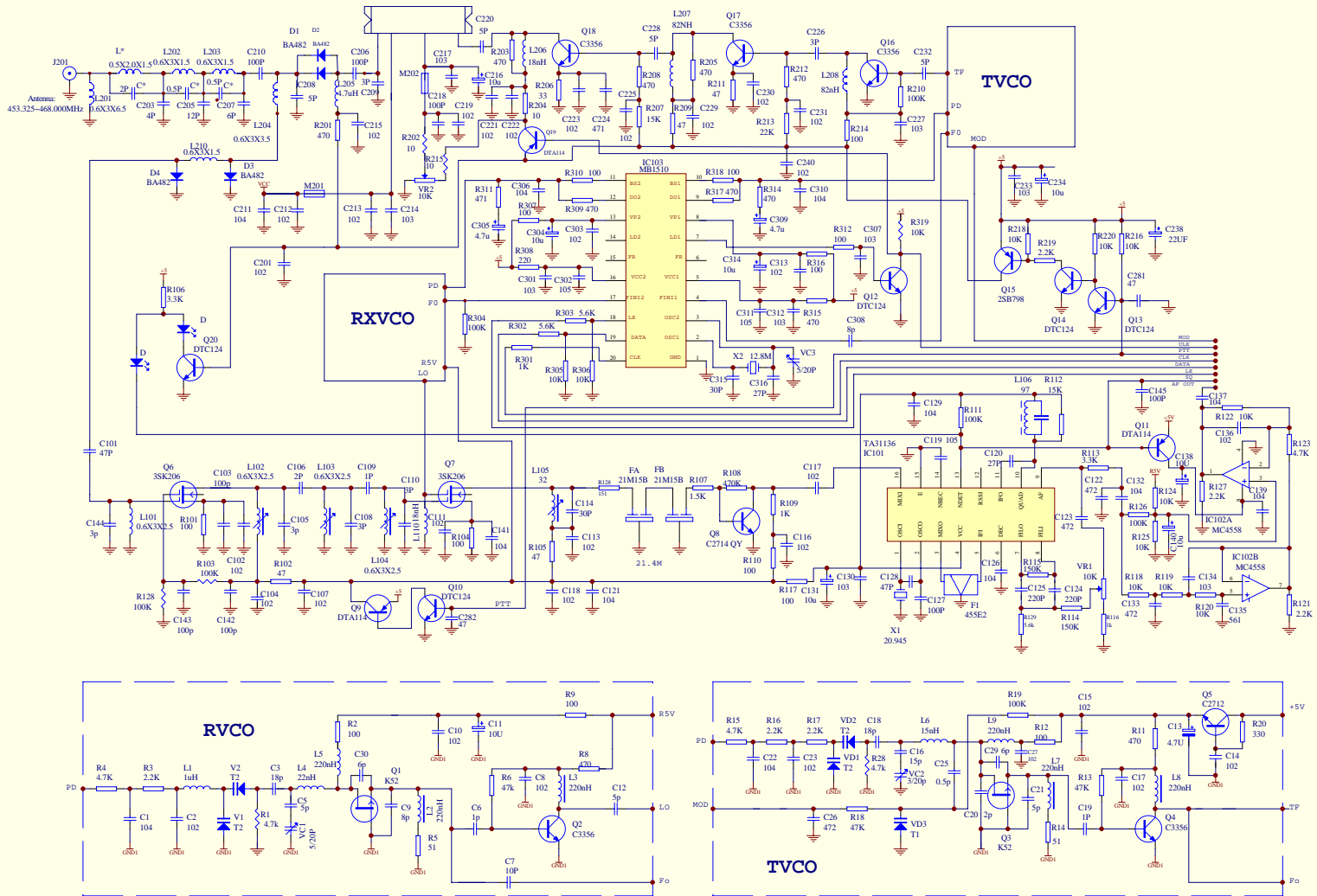


FC401-2

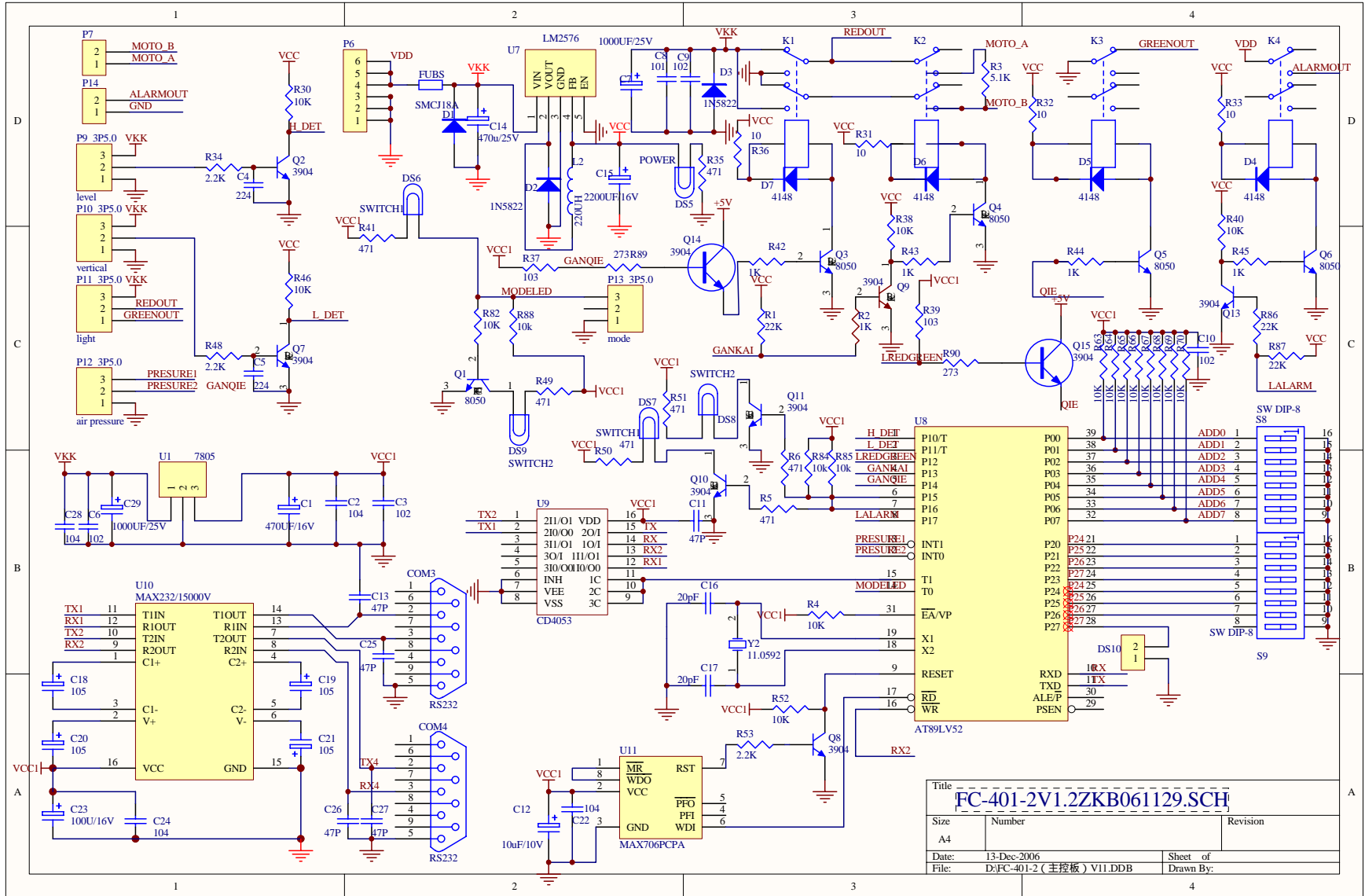


Title: FC401-2		Friendcom	
Size: Number:	T201/BL-A002	Sheet 1 of 1	Rev 1.0
B	Filename: FC-201/BL2305C.SCH		
Date:	2002/04/16	Draw by:	
Check:		Approved:	

FC401-2

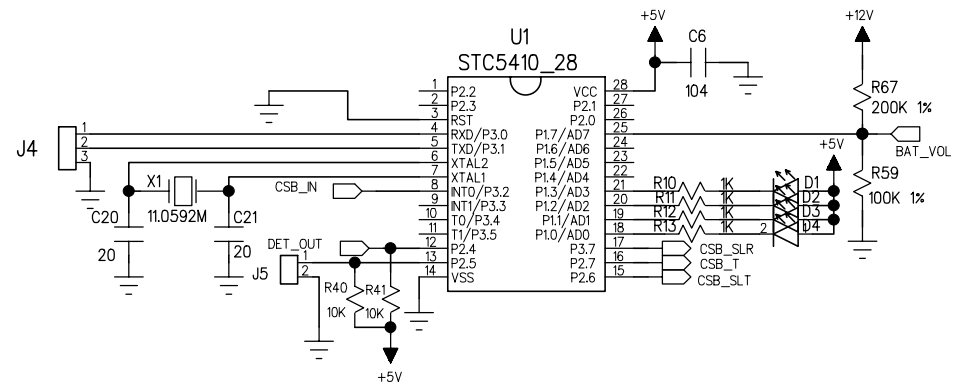
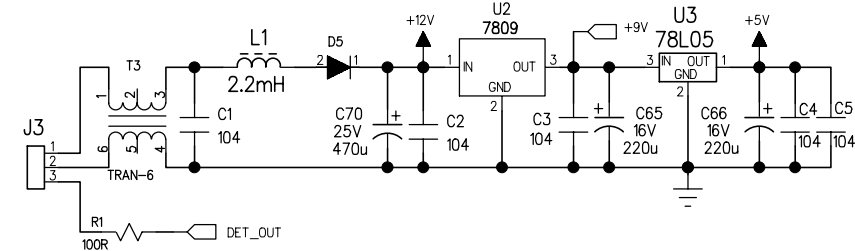
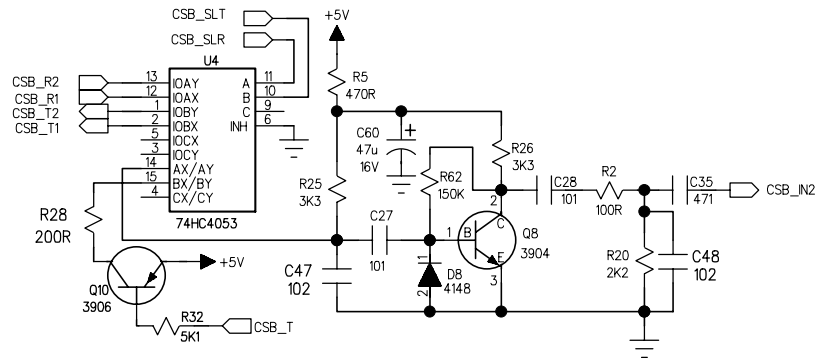
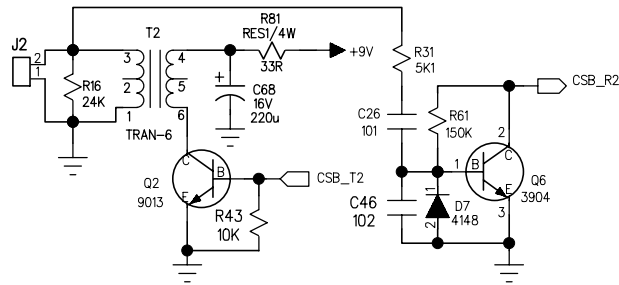
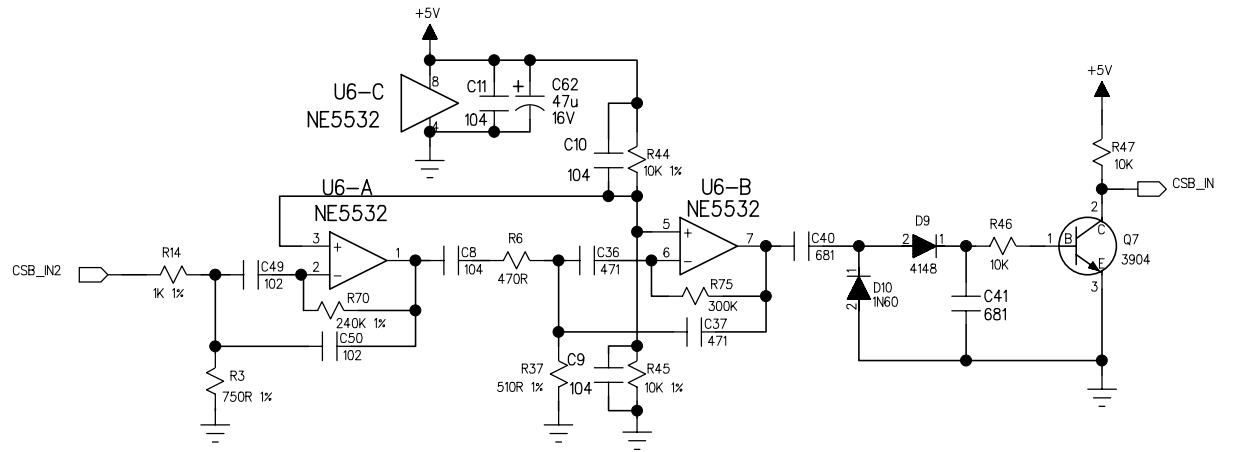
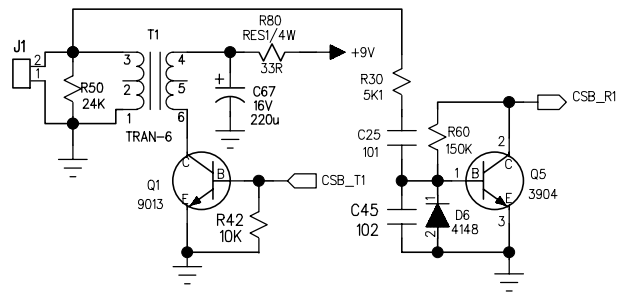


Title		Revision	
FC401-2			
Size	Number	Sheet	Version
A4	2	2	3.0
Date:	23-Jan-2007	Sheet of	
File:	C:\Documents and Settings\Administrator\Documents\FC401-2.DOC	Sheet of	



Title: FC-401-2V1.2ZKB061129.SCH

Size	Number	Revision
A4		
Date:	13-Dec-2006	Sheet of
File:	D:\FC-401-2 (主控板) V11.DDB	Drawn By:



SHENZHEN FRIENDCOM TELECOM CO.,LTD

DESIGN: YU JING WEN

MODEL: FC-401-2

CHECK:

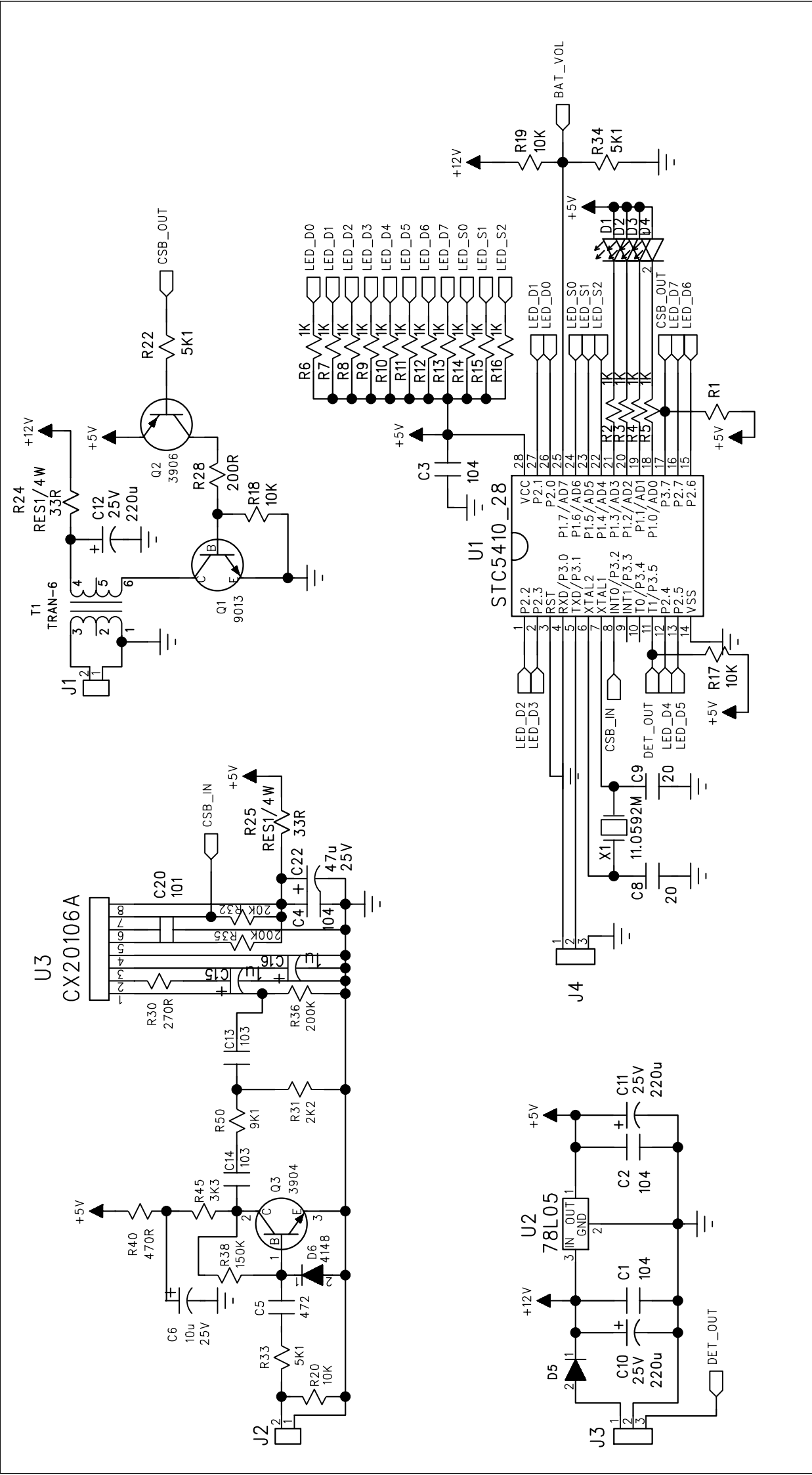
VER: A2

APPROVED:

FILES: FC-401-2-CSB

DATE: 2007 / 05 / 23

DRAW NO:



SHENZHEN FRIENDCOM TELECOM CO.,LTD

DESIGN: YU JING WEN

MODEL: CSB_DET

CHECK:

VER: A0

APPROVED:

FILES: CSB_DET

DATE: 2006 / 10 / 8

DRAW NO: