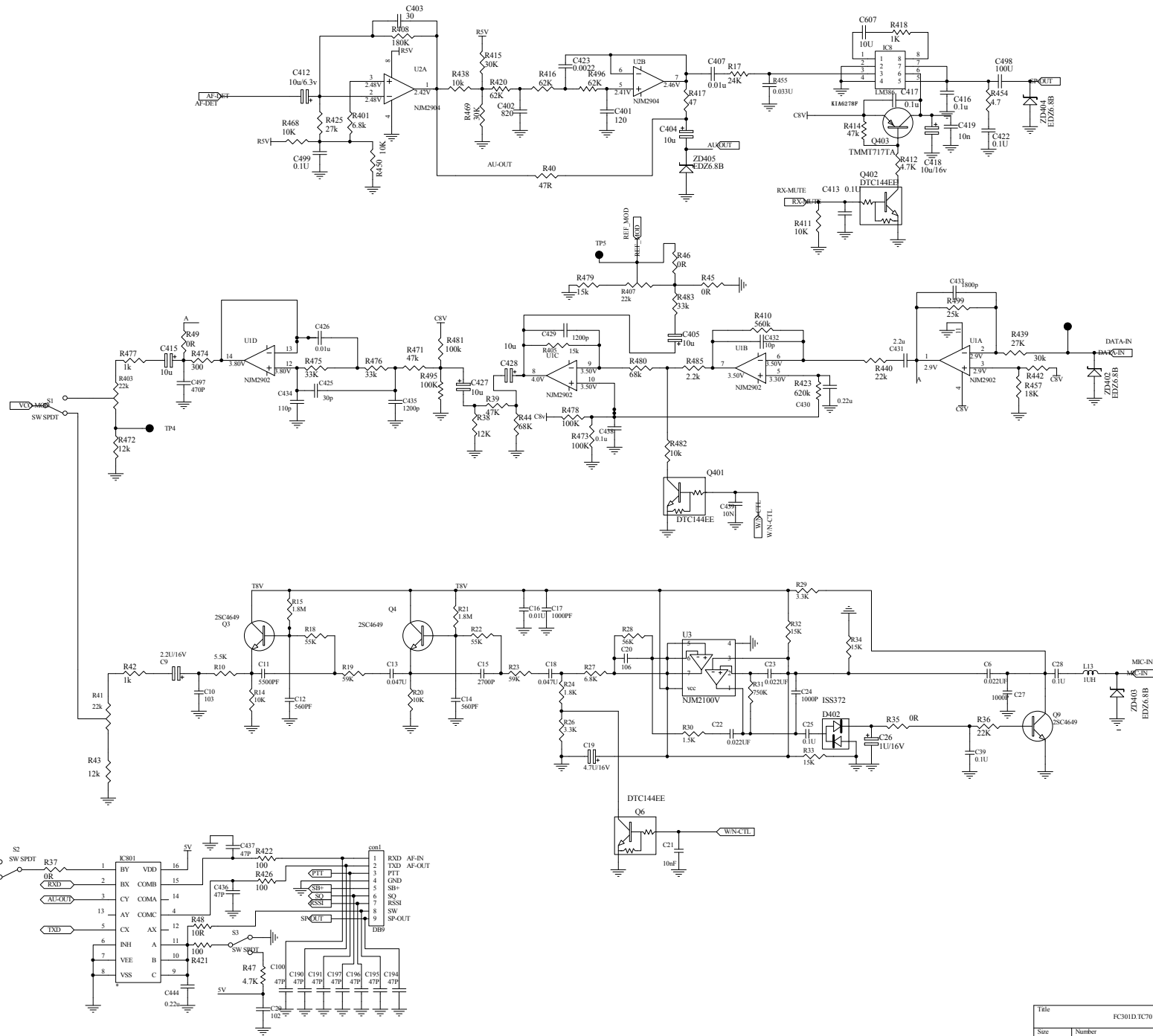
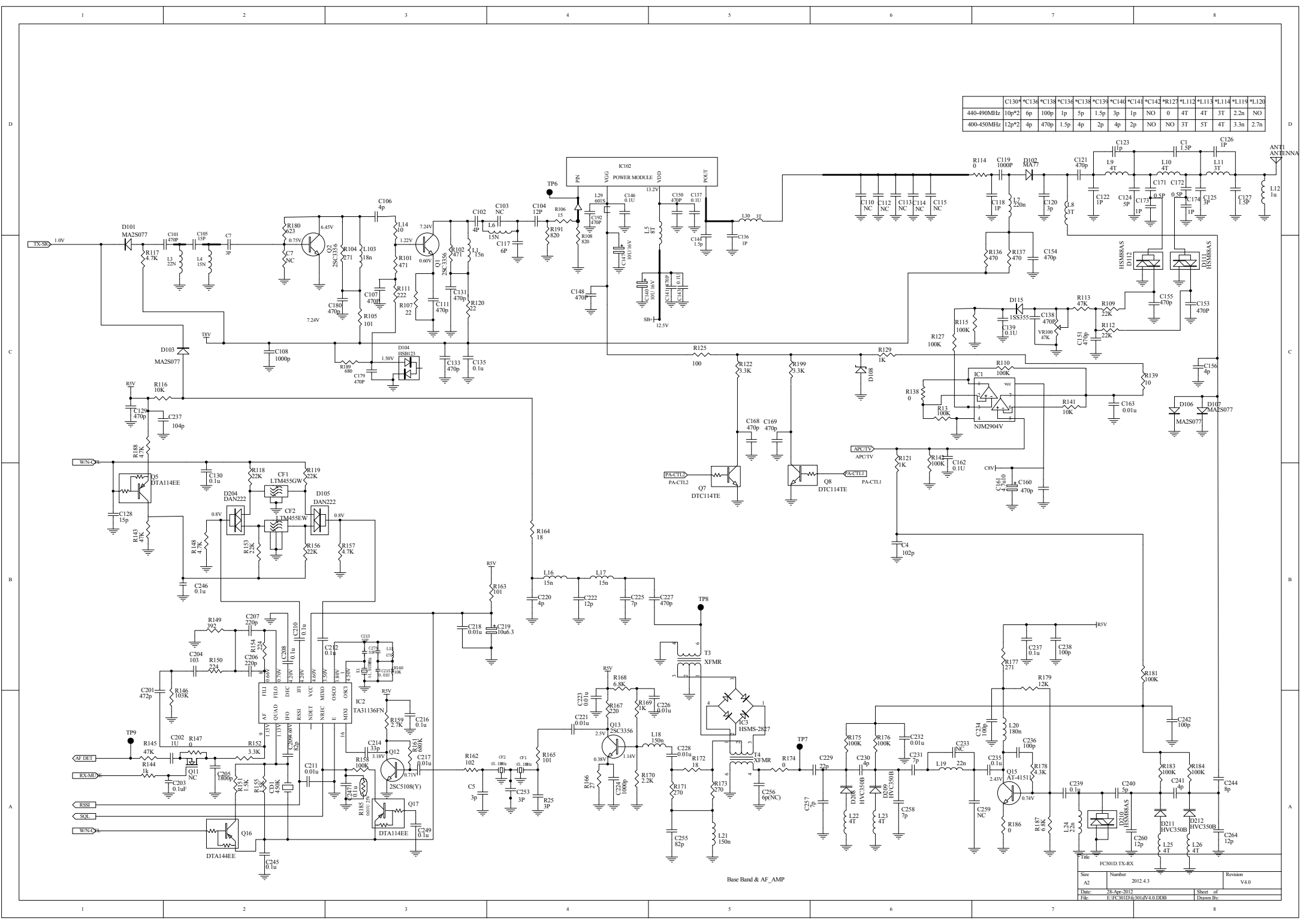


	400-450 (L1)	440-490 (L2)	420-470 (L3)	350-390 (L5)
* C305*	22P	22P	27P	33P
C306*	5P	3P	3P	6P
C308*	6P	3P	4P	4P
C309*	3P	2.4P	2P	4P
C310*	3P	3P	3P	4P
C321*	7P	5P	7P	8P
C322*	4P	4.5P	4P	7P
L304*	22n	22n	22n	33n
L310*	27n	23n	23n	33n
R322*	68k	47k	47k	47k

Title			FC301D.VCO		
Size	Number	Revision			
A3	2012.4.3	4.0			
Date:	28-Apr-2012	Sheet	of		
File:	E:\FC301D\fc301dv4.0.DDB	Drawn	By:		



Title			
FC301D.TC701db			
Size	Number	2012.4.3	Revision
C			V4.0
Date:	25-Apr-2012	Sheet of	
File:	E:\FC301D\FC301dV4.0.DDB	Drawn By:	



	C130	*C136*	*C138*	*C138*	*C139*	*C140*	*C14*	*C142*	*R12*	*L112*	*L113*	*L114*	*L119*	*L120*
440-490MHz	10p*2	6p	100p	1p	1.5p	3p	1p	NO	0	4T	4T	3T	2.2n	NO
400-450MHz	12p*2	4p	470p	1.5p	4p	2p	2p	NO	NO	3T	5T	4T	3.3n	2.7n

Base Band & AF AMP

FC301D-TX-RX		
Size	Number	Revision
A2	2012.4.3	V4.0
Date:	28-Apr-2012	Sheet of
File:	E:\PCB\1126301d\4V4.0.D98	Drawn By: