

RF TEST REPORT

Test item : Mobile Computer
Model No. : FCC: XM5
IC: XM5WA
Order No. : DTNC1410-04626, DTNC1410-04629
Date of receipt : 2014-10-23
Test duration : 2014-11-03 ~ 2014-11-17
Date of issue : 2014-11-28
Use of report : FCC & IC Original Grant

Applicant : Janam Technologies LLC
100 Crossways Park West Suite 105, Woodbury, New York 11797 USA

Test laboratory : DT&C Co., Ltd.
42, Yurim-ro, 154beon-gil, Cheoin-gu, Yongin-si, Gyeonggi-do, Korea 449-935

Test specification : FCC Part 15.407
RSS-210 Issue8: 2010
Test environment : See appended test report
Test result : Pass Fail

The test results presented in this test report are limited only to the sample supplied by applicant and the use of this test report is inhibited other than its purpose. This test report shall not be reproduced except in full, without the written approval of DT&C Co., Ltd.

Tested by:



Engineer
Hyunsu Son

Reviewed by:



Technical Manager
HongHee Lee

Test Report Version

Test Report No.	Date	Description
DRTFCC1411-1532	Nov. 28, 2014	Initial issue

Table of Contents

1. EUT DESCRIPTION	4
1.1. Auxiliary equipment	4
2. DYNAMIC FREQUENCY SELECTION TEST DESCRIPTION ...	5
2.1. Applicability of DFS requirements prior to use of a channel ...	5
2.2. Applicability of DFS requirements during normal operation ...	5
2.3. Requirements of client devices.....	6
2.4. DFS response requirement values	6
2.5. DFS detection thresholds	7
2.6. Radar test waveforms	8
3. Test procedure	9
3.1. Setup for Client with injection at the Master.....	9
3.2. Spectrum analyzer setting parameter	9
3.3. Conducted test procedure	9
4. SUMMARY OF TESTS	10
5. LIST OF EQUIPMENTS	11
6. TEST RESULTS	12
6.1. Move time and aggregate time	12
6.1.1. U-NII-2A : 802.11n(HT20), 5260MHz	12
6.1.2. U-NII-2C : 802.11n(HT20), 5500MHz	12
6.2. Non-occupancy period	13
6.2.1. U-NII-2A : 802.11n(HT20), 5260MHz	13
6.2.2. U-NII-2C : 802.11n(HT20), 5500MHz	13
6.3. Radar test waveforms injection level	14
6.3.1. U-NII-2A : 5260MHz	14
6.3.2. U-NII-2C : 5500MHz	14

1. EUT DESCRIPTION

FCC equipment class	Unlicensed National Information Infrastructure (UNII)		
Product	Mobile Computer		
Model name	FCC: XM5 IC: XM5WA		
Add model name	NA		
EUT capabilities	GPRS/EDGE /WCDMA/HSUPA and Bluetooth, 2.4GHz/5GHz WLAN.		
Power supply	DC 3.7 V		
Test condition	<input checked="" type="checkbox"/> Conducted		<input type="checkbox"/> Radiated
Channel bandwidth	802.11a: 20 MHz		
	802.11n: 20 MHz		
Frequency Range	5260 ~ 5350 MHz (802.11a/n: U-NII-2A) 5500 ~ 5700 MHz (802.11a/n: U-NII-2C)		
Output Power	12.761 dBm (802.11a: U-NII-2A) <small>Note2</small> 12.830 dBm (802.11a: U-NII-2C) <small>Note2</small>		
Modulation type	OFDM		
Operational mode	<input type="checkbox"/> Master mode <input checked="" type="checkbox"/> Client mode without radar detection <input type="checkbox"/> Client mode with radar detection		
Antenna specification	Antenna type: Internal Antenna		
	Antenna gain	U-NII-2A	0.187dBi
		U-NII-2C	-2.304dBi

Note1: The above EUT information was declared by the manufacturer.

Note2: Refer to UNII report

1.1. Auxiliary equipment

Equipment	Model No.	Serial No.	Manufacturer	Note
Access Point (Master)	DIR-868L	R3X81E6000093	D-Link	FCC ID : RRK2012060056-1 IC ID : 4833A-WMCAC01A1
-	-	-	-	-

2. DYNAMIC FREQUENCY SELECTION TEST DESCRIPTION

2.1. Applicability of DFS requirements prior to use of a channel

Requirement	Operational mode		
	Master	Client without radar detection	Client with radar detection
Non-Occupancy Period	Yes	Not required	Yes
DFS Detection Threshold	Yes	Not required	Yes
Channel Availability Check time	Yes	Not required	Not required
U-NII Detection Bandwidth	Yes	Not required	Yes

2.2. Applicability of DFS requirements during normal operation

Requirement	Operational mode	
	Master or client with radar detection	Client without radar detection
DFS Detection Threshold	Yes	Not required
Channel Closing Transmission Time	Yes	Yes
Channel Move time	Yes	Yes
U-NII Detection Bandwidth	Yes	Not required

Additional requirements for devices with multiple bandwidth modes	Operational mode	
	Master or client with radar detection	Client without radar detection
U-NII Detection Bandwidth and Statistical Performance Check	All BW modes must be tested	Not required
Channel Move Time and Channel Closing Transmission Time	Test using widest BW mode available	Test using the widest BW mode available for the link
All other tests	Any single BW mode	Not required
<p>Note: Frequencies selected for statistical performance check (Section 7.8.4) should include several frequencies within the radar detection bandwidth and frequencies near the edge of the radar detection bandwidth. For 802.11 devices it is suggested to select frequencies in each of the bonded 20 MHz channels and the channel center frequency.</p>		

The EUT was tested according to the following specification:
905462 D02 UNII DFS Compliance Procedure New Rules v01r01

2.3. Requirements of client devices

- a) A Client Device will not transmit before having received appropriate control signals from a Master Device.
- b) A Client Device will stop all its transmissions whenever instructed by a Master Device to which it is associated and will meet the Channel Move Time and Channel Closing Transmission Time requirements. The Client Device will not resume any transmissions until it has again received control signals from a Master Device.
- c) If a Client Device is performing In-Service Monitoring and detects a Radar Waveform above the DFS Detection Threshold, it will inform the Master Device. This is equivalent to the Master Device detecting the Radar Waveform and d) through f) of section 5.1.1 apply.
- d) Irrespective of Client Device or Master Device detection the Channel Move Time and Channel Closing Transmission Time requirements remain the same.
- e) The client test frequency must be monitored to ensure no transmission of any type has occurred for 30 minutes.
Note: If the client moves with the master, the device is considered compliant if nothing appears in the client non-occupancy period test. For devices that shut down (rather than moving channels), no beacons should appear.

2.4. DFS response requirement values

Parameter	Value
Non-occupancy period	Minimum 30 minutes
Channel availability check time	60 seconds
Channel move time	10 seconds See Note 1.
Channel closing transmission time	200 milliseconds + an aggregate of 60 milliseconds over remaining 10 second period. See Notes 1 and 2.
<p>Note 1: Channel Move Time and the Channel Closing Transmission Time should be performed with Radar Type 0. The measurement timing begins at the end of the Radar Type 0 burst.</p> <p>Note 2: The Channel Closing Transmission Time is comprised of 200 milliseconds starting at the beginning of the Channel Move Time plus any additional intermittent control signals required to facilitate a Channel move (an aggregate of 60 milliseconds) during the remainder of the 10 second period. The aggregate duration of control signals will not count quiet periods in between transmissions..</p>	

2.5. DFS detection thresholds

Below provides the DFS Detection Thresholds for Master Devices as well as Client Devices incorporating In-Service Monitoring.

Maximum Transmit Power	Value (See Notes 1, 2, and 3)
EIRP \geq 200 milliwatt	-64 dBm
EIRP < 200 milliwatt and power spectral density < 10 dBm/MHz	-62 dBm
EIRP < 200 milliwatt that do not meet the power spectral density requirement	-64 dBm
<p>Note 1: This is the level at the input of the receiver assuming a 0 dBi receive antenna.</p> <p>Note 2: Throughout these test procedures an additional 1 dB has been added to the amplitude of the test transmission waveforms to account for variations in measurement equipment. This will ensure that the test signal is at or above the detection threshold level to trigger a DFS response.</p> <p>Note3: EIRP is based on the highest antenna gain. For MIMO devices refer to KDB Publication 662911 D01.</p>	

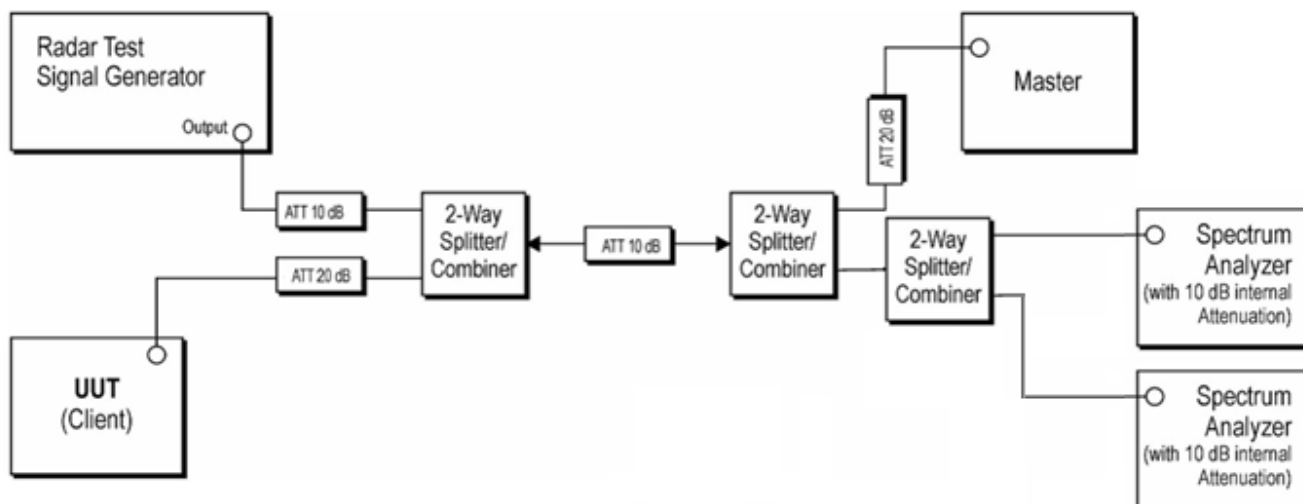
2.6. Radar test waveforms

Radar type	Pulse width (µsec)	PRI (µsec)	Number of pulses	Minimum percentage of successful detection	Minimum number of trials
0	1	1428	18	See Note 1	See Note 1
1	1	Test A: 15 unique PRI values randomly selected from the list of 23 PRI values in section 2.6.2.	$\text{Roundup} \left\{ \left(\frac{1}{360} \right) \cdot \left(\frac{19 \cdot 10^6}{PRI_{\mu\text{sec}}} \right) \right\}$	60%	30
		Test B: 15 unique PRI values randomly selected within the range of 518-3066 µsec, with a minimum increment of 1 µsec, excluding PRI values selected in Test A			
2	1-5	150-230	23-29	60%	30
3	6-10	200-500	16-18	60%	30
4	11-20	200-500	12-16	60%	30
Aggregate (Radar Types 1-4)				80%	120
<p>Note 1: As the EUT is a Client Device with no Radar Detection only one type radar pulse is required for the testing. Radar Pulse type 0 was used in the evaluation of the Client device for the purpose of measuring the Channel Move Time and the Channel Closing Transmission Time.</p> <p>Note 2: This report was applied Short Pulse Radar Type 0.</p>					

3. Test procedure

3.1. Setup for Client with injection at the Master

The setup method is shown below diagram. The method according to the 905462 D02 UNII DFS Compliance Procedure New Rules v01r01 - section 7.2



3.2. Spectrum analyzer setting parameter

The setting parameter is shown below and it according to the 905462 D02 UNII DFS Compliance Procedure New Rules v01r01 - section 7.5

- 1) **RBW /VBW \geq 3MHz**
- 2) **Detector = Peak**
- 3) **Span = zero span**
- 4) **Sweep time \geq 12s**

3.3. Conducted test procedure

- 1) One frequency will be chosen from the Operating Channels of the UUT within the 5250-5350 MHz or 5470-5725 MHz bands.
- 2) The Client Device (EUT) is set up the above diagram and communications between the Master device and the Client is established.
- 3) Stream the channel loading test file from the Master Device to the Client Device on the test Channel for the entire period of the test. (The MPEG file specified by the FCC ("*6 ½ Magic Hours*")
- 4) An additional 1 dB is added to the radar test signal to ensure it is at or above the DFS Detection Threshold, accounting for equipment variations/errors.
- 5) Observe the transmissions of the UUT at the end of the Burst on the Operating Channel for duration greater than 12 seconds for Radar Type 0 to ensure detection occurs.
- 6) After the initial radar burst the channel is monitored for 30 minutes to ensure no transmissions or beacons occur. A second monitoring setup is used to verify that the Master and Client have both moved to different channels.

4. SUMMARY OF TESTS

Parameter	Limit	Status Note 1
Channel move time	10 seconds	C Note 2
Channel closing transmission time	200ms + aggregate of 60ms over remaining 10 second period	C Note 2, 3
Non-occupancy period	30 minutes	C
<p>Note 1: C=Comply NC=Not Comply NT=Not Tested NA=Not Applicable</p> <p>Note 2: Channel Move Time and the Channel Closing Transmission Time should be performed with Radar Type 0. The measurement timing begins at the end of the Radar Type 0 burst.</p> <p>Note 3: The Channel Closing Transmission Time is comprised of 200 milliseconds starting at the beginning of the Channel Move Time plus any additional intermittent control signals required to facilitate a Channel move (an aggregate of 60 milliseconds) during the remainder of the 10 second period. The aggregate duration of control signals will not count quiet periods in between transmissions.</p>		

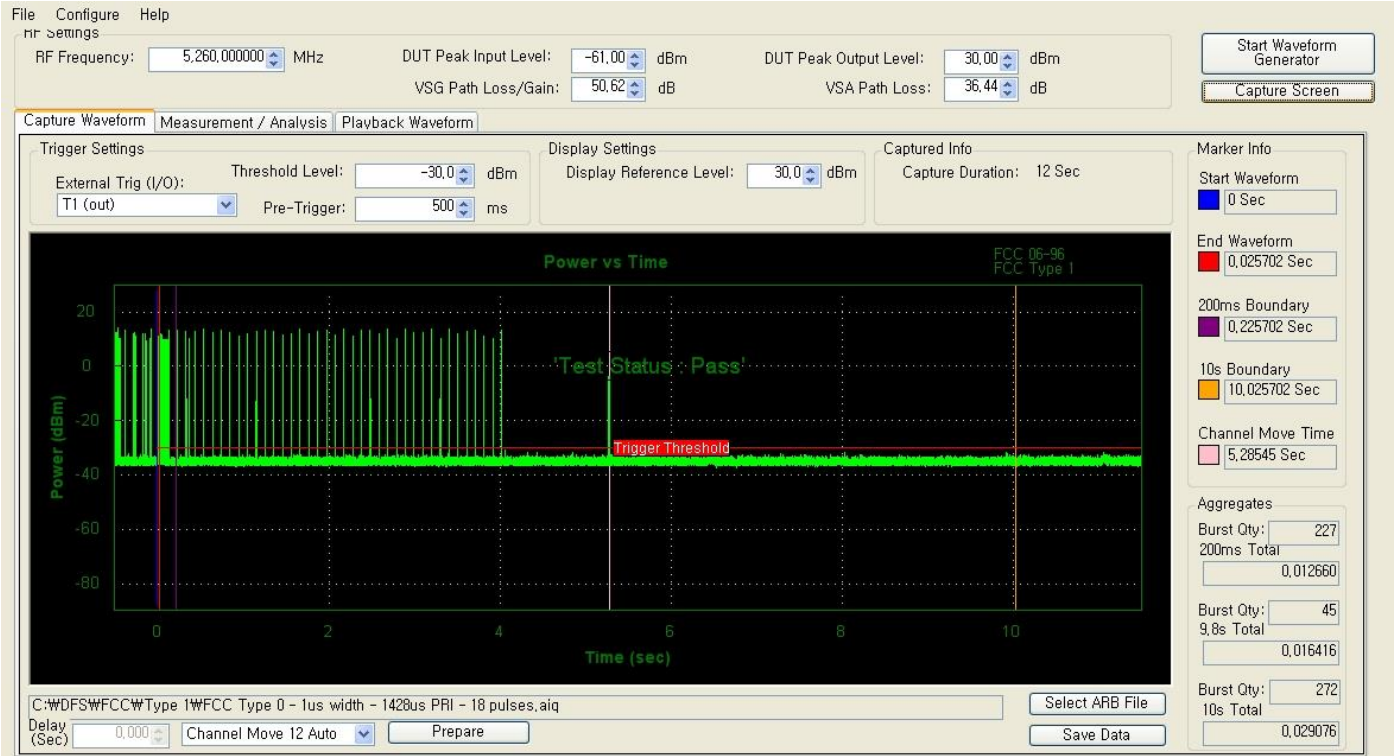
5. LIST OF EQUIPMENTS

Type	Manufacturer	Model	Cal.Date (yy/mm/dd)	Next.Cal.Date (yy/mm/dd)	S/N
MXA Signal Analyzer	Agilent	N9020A	14/09/12	15/09/12	MY50200834
Signal Generator	Rohde Schwarz	SMF100A	14/07/01	15/07/01	102341
Dynamic Measurement DC Source	SM techno	SDP30-5D	14/02/10	15/02/10	305DLJ204
Multimeter	H.P	34401A	14/02/27	15/02/27	3146A13475
10dB Attenuator	Aeroflex/Weinschel	86-10-11	14/09/12	15/09/12	446
50W 10dB ATT	SMAJK	SMAJK-50-10	14/10/21	15/10/21	3-50-10
50W 20dB ATT	SMAJK	SMAJK-50-20	14/10/21	15/10/21	3-50-20
20dB Attenuator	Aeroflex/Weinschel	86-20-11	14/09/12	15/09/12	432
Power Splitter	Anritsu	K241B	14/10/21	15/10/21	1701102
Power Splitter	Anritsu	K241B	14/02/28	15/02/28	1301184
Power Divider	Agilent	11636B	14/09/12	15/09/12	56471
Thermohygrometer	BODYCOM	BJ5478	14/05/13	15/05/13	120612-1
PXIS/2670(G)	ADLINK	3025C	14/09/03	15/09/03	302581/834
PXIS-2670(G)	ADLINK	3035C	14/09/03	15/09/03	303581/927

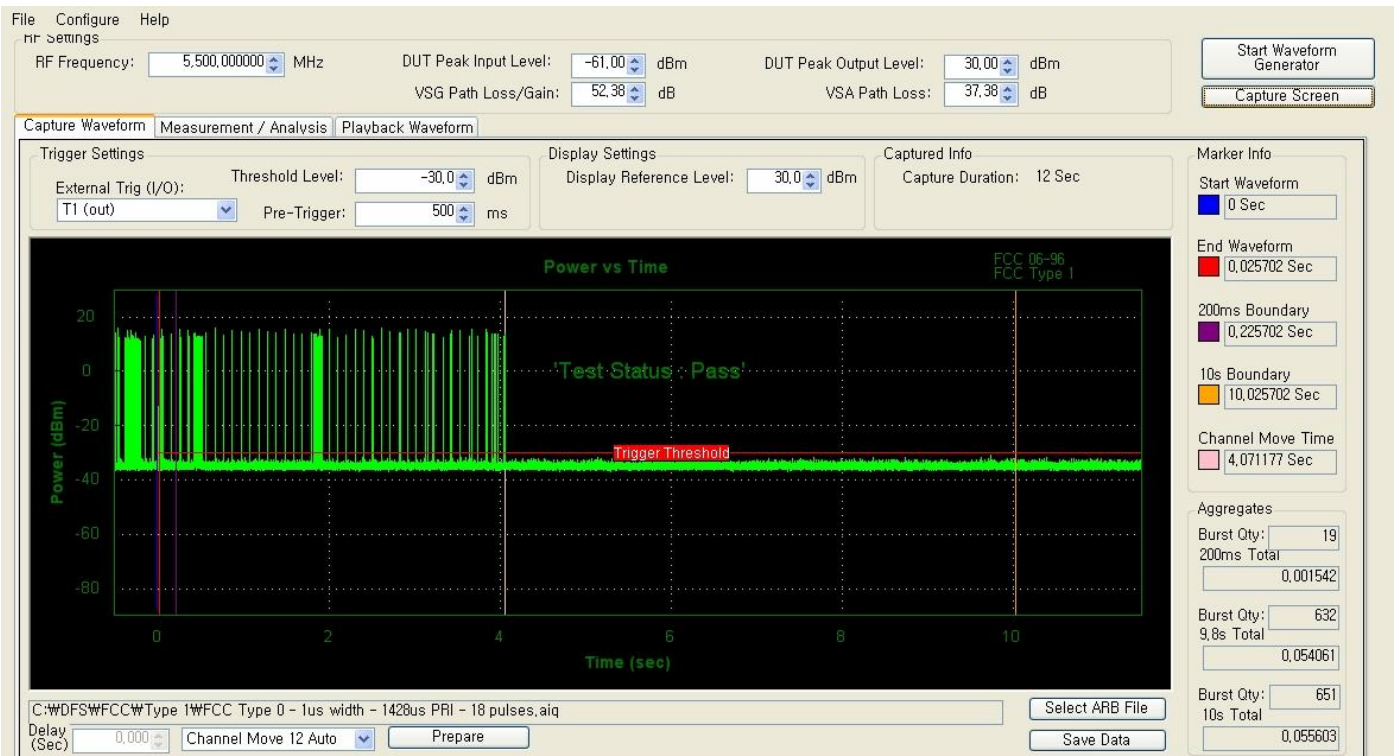
6. TEST RESULTS

6.1. Move time and aggregate time

6.1.1. U-NII-2A : 802.11n(HT20), 5260MHz

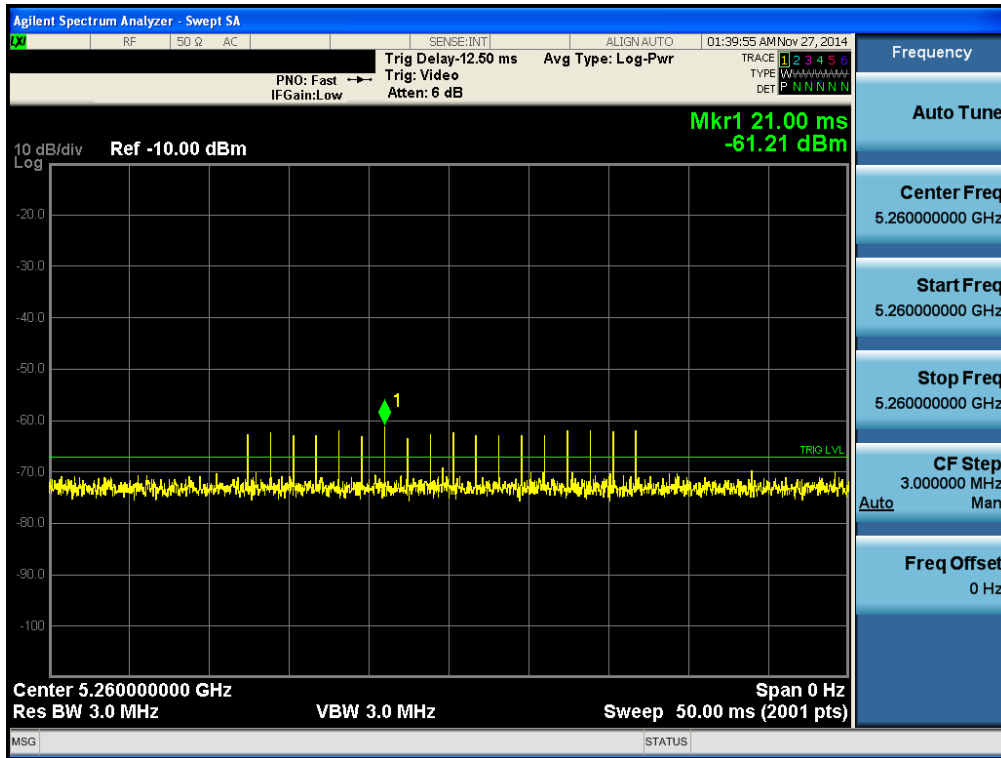


6.1.2. U-NII-2C : 802.11n(HT20), 5500MHz

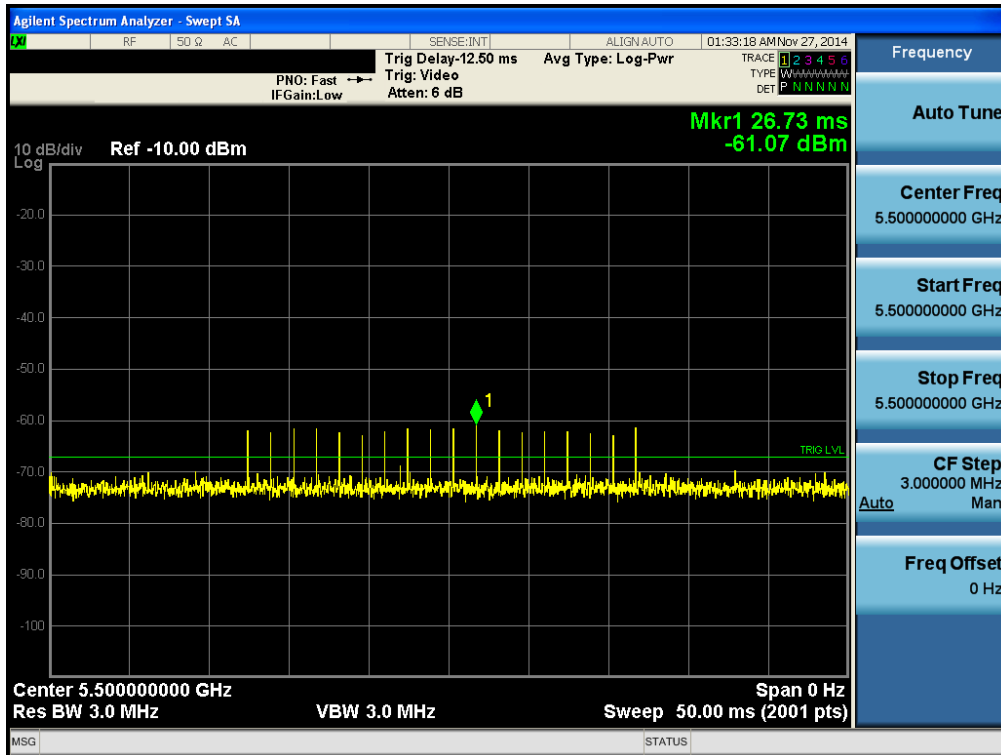


6.3. Radar test waveforms injection level

6.3.1. U-NII-2A : 5260MHz



6.3.2. U-NII-2C : 5500MHz



Note: Applied in accordance with Note 1, Section 2.5 in this report.