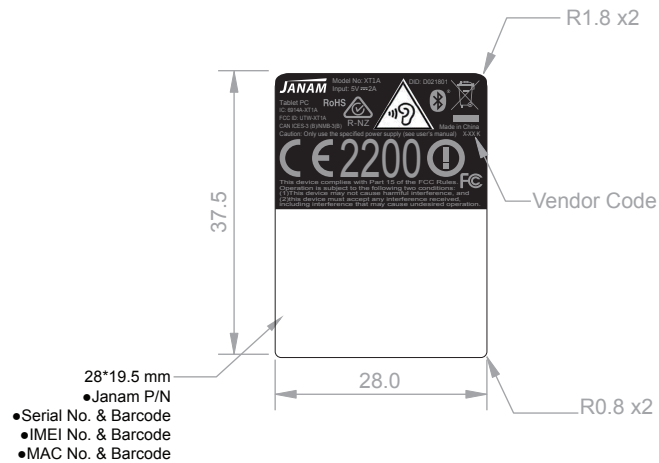


ITEM	CONTENTS OF CHANGE	DNG	CHK	APV	Y/M/D	TOL ±								
						RANGE	M1	M2	S1	S2	P1	P2	C	B
						0 ~ 6	0.05	0.1	0.15	0.2	0.05	0.1	0.5	0.15
						6.x ~ 30	0.1	0.2	0.15	0.25	0.1	0.15	1	0.15
						30.x ~ 80	0.15	0.25	0.2	0.3	0.2	0.4	2	0.25
						80.x ~ 180	0.15	0.3	0.25	0.45	0.4	0.8	3	0.25
						180.x ~ 315	0.2	0.5	0.4	0.6	0.6	1.2	3	0.3
						315.x ~ 800	0.3	0.8	0.7	1.1	0.8	1.5	4	0.5



NOTE:

1. Material: white Mylar 50#,加霧PET,強膠
2. Color: Text-Pantone Cool Gray 7C/ other color follow artwork
3. All of printing should follow Mitac's artwork
4. 單排列印
5. 料號版本放在卷筒裡

Computer Generated Do Not Revise Manually MITAC Proprietary and Confidential MITAC Internal Use Only			Unit mm	Scale 1:1	Drawing Name TF-LABEL;RATING,EU,USA,Janam,3G,WIFI,MioWORK,GAIA	Confidential Level B
Material Ref. Note	Texture NA	Painting NA	Coating NA	Material No. 242N43500036	R00	1 1
Drafter Joyce.Tsai 2014/9/19	Designer Joyce.Tsai 2014/9/19	Checker Nemo.Chen 2014/9/19	Approver Nemo.Chen 2014/9/19			