

Certification



"This device complies with part 15 of the FCC Rules. Operation is subject to the following two conditions: (1) This device may not cause harmful interference, and (2) this device must accept any interference received, including interference that may cause undesired operation."

"This equipment has been tested and found to comply with the limits for a Class A digital device, pursuant to part 15 of the FCC Rules. These limits are designed to provide reasonable protection against harmful interference when the equipment is operated in a commercial environment. This equipment generates, uses, and can radiate radio frequency energy and, if not installed and used in accordance with the instruction manual, may cause harmful interference to radio communications. Operation of this equipment in a residential area is likely to cause harmful interference in which case the user will be required to correct the interference at his own expense. Changes or modifications not expressly approved by the manufacturer (or party responsible) for compliance could void the user's authority to operate the equipment."

RF Exposure

This device complies with RF exposure requirement.

For European Community Users

We have included this bulletin to comply with Directive 2012/19/EU OF THE EUROPEAN PARLIAMENT AND OF THE COUNCIL of 4 July 2012 on Waste Electrical and Electronic Equipment (WEEE)

This product has required the extraction and use of natural resources for its production. It may contain hazardous substances that could impact health and the environment, if not, properly disposed.

In order to avoid the dissemination of those substances in our environment and diminish the pressure on the natural resources, we encourage you to use the appropriate take-back systems for product disposal.

Those systems will reuse or recycle most of the materials of the product you are disposing in a sound way.



The crossed out wheeled bin symbol inform you that the product should not be disposed of along with municipal waste and invites you to use the appropriate separate take-back systems for product disposal.

If you need more information on the collection, reuse, and recycling system, please contact your local or regional waste administration.

You can also contact your supplier for more information on the environmental performances of this product.

CE Compliance (for EU only)



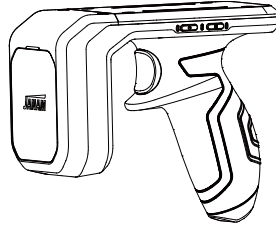
This product is labeled with the CE mark in accordance with the provisions of the applicable RoHS Directive 2011/65/EU for this product and the electric accessories.



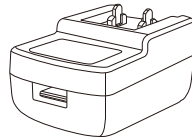
FCC ID : UTW-RFD-T1-002UL

Contents

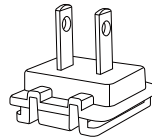
UHF RFID Sled



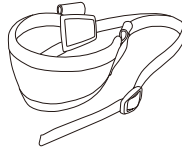
AC/DC Adapter (5V2A)



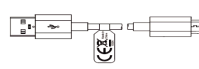
US Plug



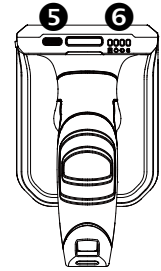
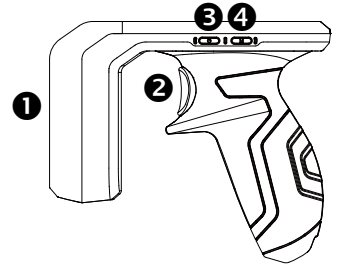
Handstrap



USB Type-C Cable



Hardware Overview

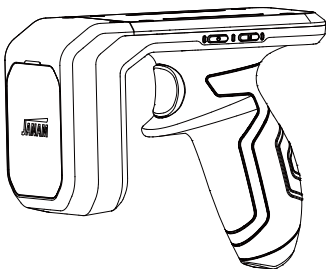


1. UHF RFID Antenna
2. Trigger
3. Power Key
4. Mode Change Key
5. USB Type-C Connector
6. LED Indicator

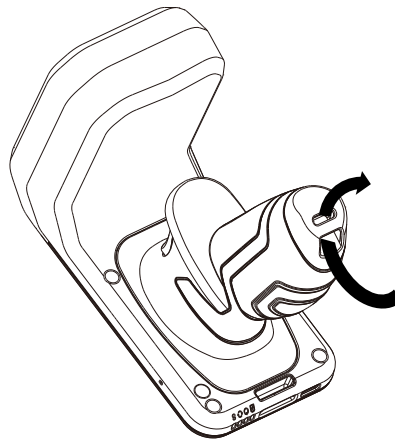
JANAM

UHF RFID Sled for XT200

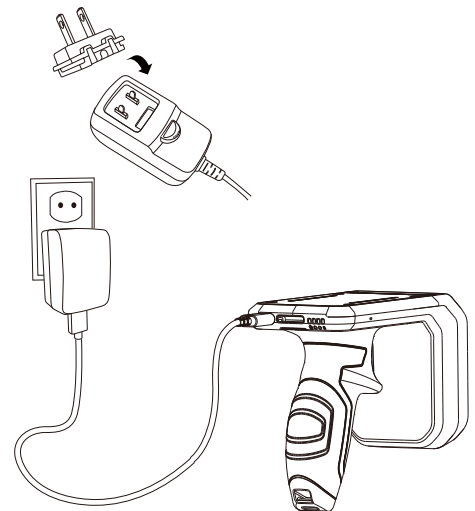
Quick Start Guide



Hand Strap



Charging the UHF RFID Sled

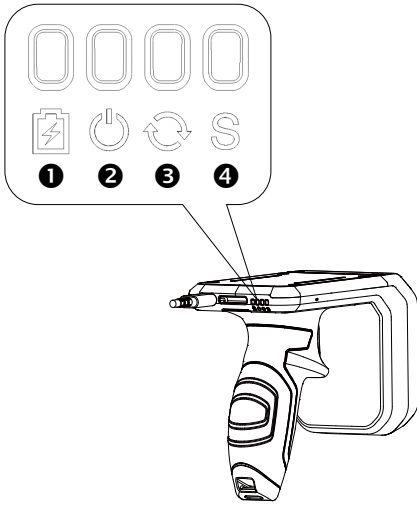


The UHF RFID Sled and XT200 are charged individually. Charge the UHF RFID Sled by inserting the USB Type-C cable to the connector. The UHF RFID Sled is fully charged when the charging LED turns solid green.

<Caution>

Use only Janam batteries and recharge batteries using only Janam approved charging accessories. Follow all usage, charging and maintenance guidelines in the Product User Guide. If you have questions, contact Janam.

LED Indicator



1. Charging LED	Solid Red Solid Green	Battery is charging Battery is charged
2. Power LED	Solid Red Blinking Red Solid Green Blinking Green Solid Orange Blinking Orange	Power is On Power is low BT is connected BT is connected and power is low USB connected to PC USB connected to PC and battery is low
3. Mode LED	Red Green Orange	BT SPP connected BT HID connected Connected to BT pairing app or USB connected
4. Status LED	Red Green	UHF RFID ready Barcode scan ready

Demo App Installation

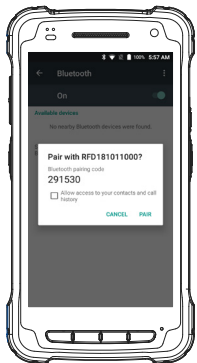


1. Search 'UHF RFID Sled' from the Google Play Store
2. Install Demo App

Specifications

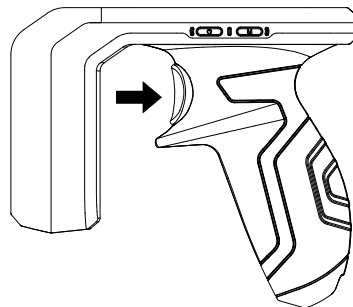
Item	Specifications
Frequency	UHF 900MHz
Protocol	ISO 18000-63(18000-6C) / EPC global Class 1 Gen 2
Output	Max. 30 dBm(1Watt), 1dBm unit
USB	USB Type C / USB to Serial Communication
Bluetooth	Bluetooth v4.1(Classic + Low Energy) / SSP Profile
HID	HID support
LED	LED(Charge / Power / Sync / Status)
Button	Power, Mode
Buzzer	Max, Min, Mute
Configurations	RFID only or RFID with 2D scanner(Optional)
Size	70 x 139 x 115.8mm(W x H x D)
Battery	3,350 mA, 3.6V Li-ion
Battery Charge Time	AC : About 4H(5V/1.4A) PC USB : About 8H(USB 2.0, 5V/500mA)
Drop	1.5M
Adaptor	5V / 2A
Weight	350g

Bluetooth Pairing



1. Pair the UHF RFID Sled with the XT200 using Bluetooth.
2. Launch the UHF RFID Sled Demo App.

RFID Tag Decoding



1. Aim the device at the RFID tag.
2. Press the trigger to read the RFID tag.

www.janam.com