



third millennium
advanced access control readers

eltoo

RX4

Product Features

The **RX400** advanced access control reader features a sleek mullion style design and is ideal for surface mounting directly to most plain wall finishes.

This powerfully secure and innovative reader has a beautifully clean aesthetic and features an RGB LED that can be applied to many applications, e.g. colour coded access levels, migration status or mood lighting.

The unit is moulded using tough polycarbonate/ABS plastic and includes a shadow line backplate, a subtle design feature that makes the reader appear to float on the wall.

reader technology

TM125 Prox Compatible

- UK design and manufacture
- High gloss finish in BLACK or WHITE
- Slim profile
- RGB LED
- Fully encapsulated electronics
- Wide range of output formats available
- 5 year limited warranty
- Read range up to 10cm (4 inches)

Interfacing

The reader supports a wide variety of output formats allowing it to be used in most access control and related applications, e.g. time and attendance, cashless vending etc.

The combination of an integral speaker, an RGB LED, three control inputs and a variety of LED/buzzer/external control options provide a flexible platform to give the right user interface configuration for your project.

Quality Design

Third Millennium has nearly 20 years of award-winning experience in the design and manufacture of RFID technology and the delivery of world class, state-of-the-art access control projects with our many global partners.



advanced access control reader

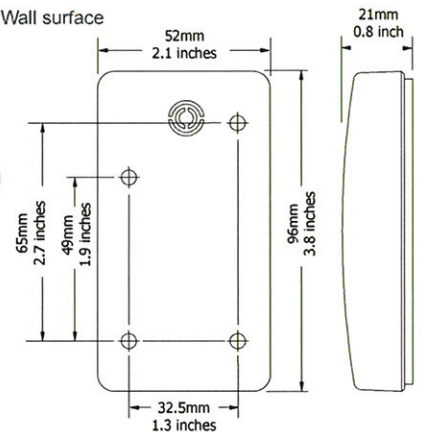
Specification

Mechanical

Dimensions: 96mm x 52mm x 21mm (3.8 x 2.1 x 0.8 inches)

Housing: Moulded polycarbonate/ABS

Mounting: Wall surface



Connection (screw terminal)

- | | |
|-----------------|----------------------------------|
| 1 - +Vdc | Supply voltage (+5Vdc to +16Vdc) |
| 2 - DATA1 / CLK | Wiegand or Clock/Data output |
| 3 - DATA0 / DAT | Wiegand or Clock/Data output |
| 4 - GREEN | Green LED control input |
| 5 - RED | Red LED control input |
| 6 - BUZZER | Buzzer control input |
| 7 - TMPR / CP | Tamper or Card Present output |
| 8 - 0V | Supply voltage ground |
| 9 - TTL TX | TTL transmit line |
| 10 - TTL RX | TTL receive line |

Environmental

- Operating Temperature: -20°C to +60°C
 Humidity: 0 - 100% RHNC
 Ingress Protection: IP65

Electrical

- Voltage: +5Vdc to +16Vdc
 Current: 250mA typical
 Data Voltage: Rest >4Vdc / Active <1Vdc
 Data Output: Wiegand, Clock & Data, Custom Outputs
 Indication: 1 RGB LED
 Sounder: Integral speaker

CE FC UTJ-RX00

This device complies with part 15 of the FCC Rules. Operation is subject to the following two conditions:

(1) This device may not cause harmful interference, and

(2) This device must accept any interference received, including interference that may cause undesired operation.

This equipment complies with FCC radiation exposure limits set forth for an uncontrolled environment. End users must follow the specific operating instructions for satisfying RF exposure compliance. This transmitter must not be co-located or operating in conjunction with any other antenna or transmitter.

Changes or modifications not expressly approved by the party responsible for compliance could void the user's authority to operate the equipment.

clean, simple design

www.tm-readers.com

+44 (0) 1495 751 992

info@tm-readers.com

Third Millennium Systems Ltd
 18 / 19 Torfaen Business Centre
 Panteg Way, New Inn
 PONTYPOOL NP4 0LS
 United Kingdom