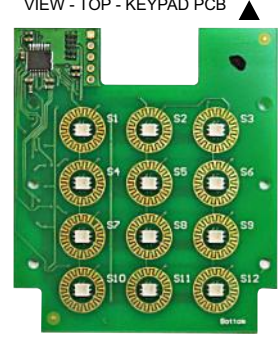


0 10 20 30 40 50 60 70 80 90 100 110 120 130 140 150 160 170 180



VIEW - REVERSE ▲
internal view assembled and POTTED



VIEW - REVERSE - internal view assembled + PCB top view (reader unpotted) ▲

VIEW - REVERSE ▼
standard label format and layout (scale 1:1)



ANTENNA ▲



VIEW - PCB bottom ▲



VIEW - REVERSE ▲
internal view part assembled LIGHTGUIDE + KEYPAD (reader unpotted)



VIEW - REVERSE ▲
internal view part assembled LIGHTGUIDE + KEYPAD PCB + ANTENNA (reader unpotted)

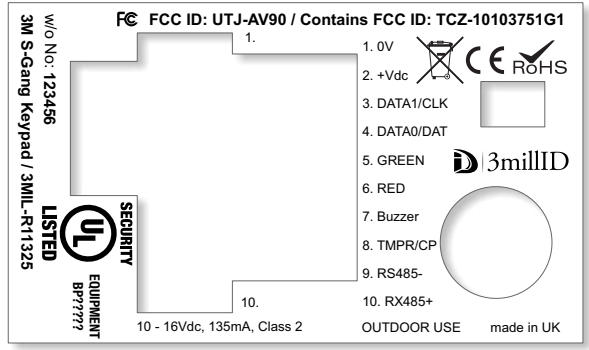
MINIMUM ACCREDITATION REQUIREMENTS to MARKINGS

- FCC logo and/or ID reference.
- STATEMENT of COMPLIANCE e.g., Part 15: WARNING statement to be affixed to product OR as separate printed statement accompanying the product.



This device complies with Part 15 of the FCC Rules. Operation is subject to the following two conditions: (1) this device may not cause harmful interference, and (2) this device must accept any interference received, including interference that may cause undesired operation.

FCC ID: UTJ-AV90 / FCC ID: TCZ-10103751G1



3M S-Gang Keypad / 3MIL-R11325



drawing No: 100-02634-E-3M S-GANG KEYPAD

scale(s): N.T.S., unless noted
sheet: 1 of 1

PROJECT TITLE: AVANTI
FCC ACCREDITATION - support documentation

SHEET TITLE: 3M S-Gang Keypad / 3MIL-R11325

AMENDMENTS	issue	notes	date	drawn by
A		drawing inception (IRN 0525)	02/09/2016	mpn
B		amendments to label nomenclature (FCC requirements)	09/09/2016	mpn
C		amendments to label nomenclature (FCC requirements)	14/09/2016	mpn
D		FCC ID added for BT broker / minor revision to layout	18/10/2016	mpn
E		FCC requested "contains" to be added to statement.	11/11/2016	mpn

DO NOT SCALE DRAWINGS

9249 S. Broadway, Building #200, Suite 826, Highlands Ranch, CO 80129 www.3millid.com tel: +1 303 475 4972 fax: +1 866 382 6701

3millID - CONFIDENTIAL

This document, including all information contained therein, is owned by 3millID., and must be kept in confidence and used solely for the specified purpose of the owner, and must not be copied, reproduced or disclosed in whole or in part without the prior written consent of the owner.

Copyrights © and Registered Trade Marks ® / ™ issued to third parties are acknowledged. PLEASE REPORT ERRORS or OMISSIONS to 3millID.