

**HYUNDAI CALIBRATION & CERTIFICATION TECH. CO., LTD.**



PRODUCT COMPLIANCE DIVISION  
SAN 136-1, AMI-RI , BUBAL-EUP, ICHEON-SI, KYOUNGKI-DO, 467-701, KOREA  
TEL : +82 31 639 8518 FAX : +82 31 639 8525 [www.hct.co.kr](http://www.hct.co.kr)



**CERTIFICATE OF COMPLIANCE**

**FCC Part 24, 22 Certification**

**Latte Communications, Inc.**

708 Charcot Ave. San Jose, CA 95131 USA

Date of Issue: September 10, 2006

Test Report No.: HCT-SAR06-0905

Test Site: HYUNDAI CALIBRATION & CERTIFICATION  
TECHNOLOGIES CO., LTD.

FRN: 0005866421

**FCC ID** :

**UTA8SLIM11B**

**APPLICANT** :

**Latte Communications, Inc.**

EUT Type:	Tri -Band GSM Phone (GSM 850/DCS1800/ PCS1900) – Prototype
Tx Frequency:	824.20 – 848.80MHz (GSM850) / 1850.20MHz – 1909.80MHz (GSM1900)
Rx Frequency:	869.20 – 893.80MHz (GSM850) / 1930.20MHz – 1989.80MHz (GSM1900)
Max. RF Output Power:	0.317 W ERP GSM850 (25.01 dBm) / 0.303 W EIRP GSM1900 (24.82 dBm)
Trade Name/Model(s):	Latte Communications, Inc. / Slim 11B
FCC Classification:	Licensed Portable Transmitter Held to Ear (PCE)
Application Type:	Certification
FCC Rule Part(s):	§22 Subpart H, §24 Subpart E, §2
Maximum SAR:	0.35W/kg GSM850 Head SAR; 0.224W/kg GSM850 Body SAR; 0.336W/kg GSM1900 Head SAR; 0.145W/kg GSM1900 Body SAR
Antenna Specifications:	Manufacturer: KWANG HYUN AIRTECH PART NUMBER: KH-GSIN-KM001 (Length= 38.16 mm)
Emission Designator(s):	300KGXW (GSM)

This equipment has been shown to be capable of compliance with the applicable technical standards as indicated in the measurement report and was tested in accordance with the measurement procedures specified in 2.947.

I attest to the accuracy of data. All measurements reported herein were performed by me or were made under my supervision and are correct to the best of my knowledge and belief. I assume full responsibility for the completeness of these measurements and vouch for the qualifications of all persons taking them.

Hyundai C-Tech Co., Ltd. Certifies that no party to this application has been denied FCC benefits pursuant to section 5301 of the Anti- Drug Abuse Act of 1998, 21 U.S. C. 853(a)

**Report prepared by : Ki-Soo Kim**

**Manager of Product Compliance Team**

This report only responds to the tested sample and may not be reproduced, except in full, without written approval of the HCT Co., Ltd.

---

## Table of Contents

---

ATTACHMENT A: COVER LETTER(S)

ATTACHMENT B: ATTESTATION STATEMENT(S)

ATTACHMENT C: TEST REPORT

1.1 SCOPE -----	3
2.1 INTRODUCTION -----	4
3.1 INSERTS-----	5
4.1 DESCRIPTION OF TESTS-----	6-13
5.1 EFFECTIVE RADIATED POWER OUTPUT -----	14
6.1 EQUIVALENT ISOTROPIC RADIATED POWER-----	15
7.1 RADIATED MEASUREMENTS-----	16-22
8.1 FREQUENCY STABILITY -----	23-24
9.1 PLOTS OF EMISSIONS-----	25
10.1 LIST OF TEST EQUIPMENT -----	26
11.1 SAMPLE CALCULATIONS -----	27
12.1 CONCLUSION-----	28

ATTACHMENT D: TEST PLOTS

ATTACHMENT E: FCC ID LABEL & LOCATION

ATTACHMENT F: TEST SETUP PHOTOGRAPHS

ATTACHMENT G: EXTERNAL PHOTOGRAPHS

ATTACHMENT H: INTERNAL PHOTOGRAPHS

ATTACHMENT I: BLOCK DIAGRAM (S)

ATTACHMENT J: CIRCUIT DIAGRAMS

ATTACHMENT K: PARTS LIST

ATTACHMENT L: OPERATIONAL DESCRIPTION

ATTACHMENT M: USER'S MANUAL

ATTACHMENT N: SAR MEASUREMENT REPORT

ATTACHMENT O: SAR TEST DATA

ATTACHMENT P: SAR TEST SETUP PHOTOGRAPHS

ATTACHMENT Q: DIPOLE VALIDATION

ATTACHMENT R: PROBE CALIBRATION

ATTACHMENT S: DIPOLE CALIBRATION

# MEASUREMENT REPORT

## 1.1 SCOPE

Measurement and determination of electromagnetic emissions (EME) of radio frequency devices including intentional and/or unintentional radiators for compliance with the technical rules and regulations of the Federal Communications Commission.

### General Information

<b>Company Name:</b>	<b>Latte Communications, Inc.</b>
<b>Address:</b>	<b>708 Charcot Ave. San Jose, CA 95131 USA</b>
<b>Attention:</b>	<b>Jason Park / Chief Operating Officer</b>
<b>Tel. / Fax :</b>	<b>408-321-9811 / 408-321-9812</b>
<b>E-Mail :</b>	<b><u><a href="mailto:jasonpark@latteglobal.com">jasonpark@latteglobal.com</a></u></b>

- FCC ID: UTA8SLIM11B
- EUT Type: Tri -Band GSM Phone (GSM 850/ DCS1800/ PCS1900) – Prototype
- Trade Name: Latte Communications, Inc.
- Model(s): Slim 11B
- Serial Number(s): UTA11B20060900001
- Tx Frequency: 824.20 – 848.80MHz (GSM850)  
1850.20MHz – 1909.80MHz (GSM1900)
- Rx Frequency: 869.20 – 893.80MHz (GSM850)  
1930.20MHz – 1989.80MHz (GSM1900)
- Application Type: Certification
- FCC Classification: Licensed Portable Transmitter Held to Ear (PCE)
- FCC Rule Part(s): §22 Subpart H, §24 Subpart E, §2
- Modulation(s): GSM
- Antenna Type: Fixed
- Date(s) of Tests: September 9, 2006
- Place of Tests: Hyundai C-Tech. EMC Lab.  
Icheon, Kyounki-Do, KOREA
- Report Serial No.: HCT-SAR06-0905



Figure 1. SAR System

<sup>1</sup> Specific Absorption Rate (SAR) is a measure of the rate of energy absorption due to exposure to an RF transmitting source (wireless portable device).

<sup>2</sup> IEEE/ANSI Std. C95.1-1992 limits are used to determine compliance with FCC ET Docket 93-62.

## 2.1 INTRODUCTION

---

### EUT DESCRIPTION

The **Latte Communications, Inc.** Tri -Band GSM Phone (GSM 850/DCS1800/ PCS1900) Phone. Its basic purpose is used for communications. It transmits from 824.20 – 848.80MHz (GSM850), 1850.20MHz – 1909.80MHz (GSM1900)) and receives from 869.20 – 893.80MHz (GSM850), 1930.20MHz – 1989.80MHz (GSM1900)). The RF power is rated at GSM850 (0.317W) and GSM1900 (0.303W).

### MEASURING INSTRUMENT CALIBRATION

The measuring equipment, which was utilized in performing the tests documented herein, has been calibrated in accordance with the manufacturer's recommendations for utilizing calibration equipment, which is traceable to recognized national standards.

### Test Facility

The open area test site and conducted measurement facility used to collect the radiated data are located at the 254-1, Maekok-Ri, Hobup-Myun, Ichon-Si, Kyoungki-Do, 467-701, KOREA. The site is constructed in conformance with the requirements of ANSI C63.4 and CISPR Publication 22. Detailed description of test facility was submitted to the Commission and accepted dated July 6, 2006(Registration Number: 90661)

## **3.1 INSERTS**

---

### **Function of Active Devices (Confidential)**

The Function of active devices are shown in Attachment K.

### **Block/Circuit Diagrams & Description (Confidential)**

The circuit diagrams & description are shown in Attachment J, and the block diagrams are shown in Attachment I.

### **Operating Instructions**

The instruction manual is shown in Attachment M.

### **Parts List & Tune-Up Procedure (Confidential)**

The parts list & tune-up procedure are shown in Attachment L.

### **Description of Freq. Stabilization Circuit (Confidential)**

The description of frequency stabilization circuit is shown in Attachment K.

### **Description for Suppression of Spurious Radiation, for Limiting Modulation, and Harmonic Suppresion Circuits (Confidential)**

The description of suppression stabilization circuits are shown in Attachment K

## 4.1 DESCRIPTION OF TESTS

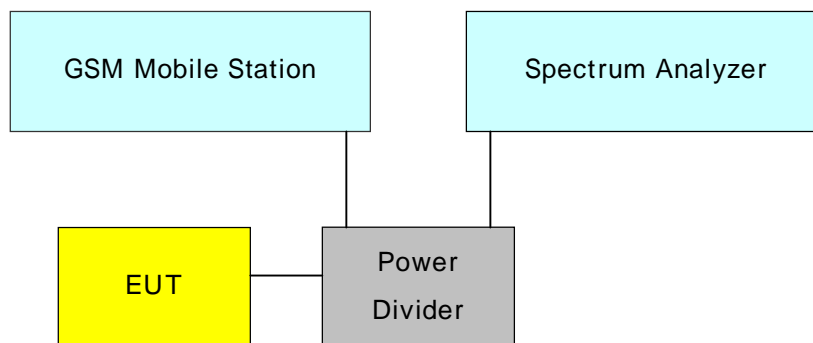
---

### 4.2 Conducted RF Power TEST

---

According to FCC §2.1046 (A), for transmitters other than single sideband, independent sideband and controlled carrier radiotelephone, power output shall be measured at the RF output terminals when the transmitter is adjusted in accordance with the tune-up procedure to give the values of current and voltage on the circuit elements specified in § 2.1033(c)(8). The electrical characteristics of the radio frequency load attached to the output terminals when this test is made shall be stated.

#### Test Set-up

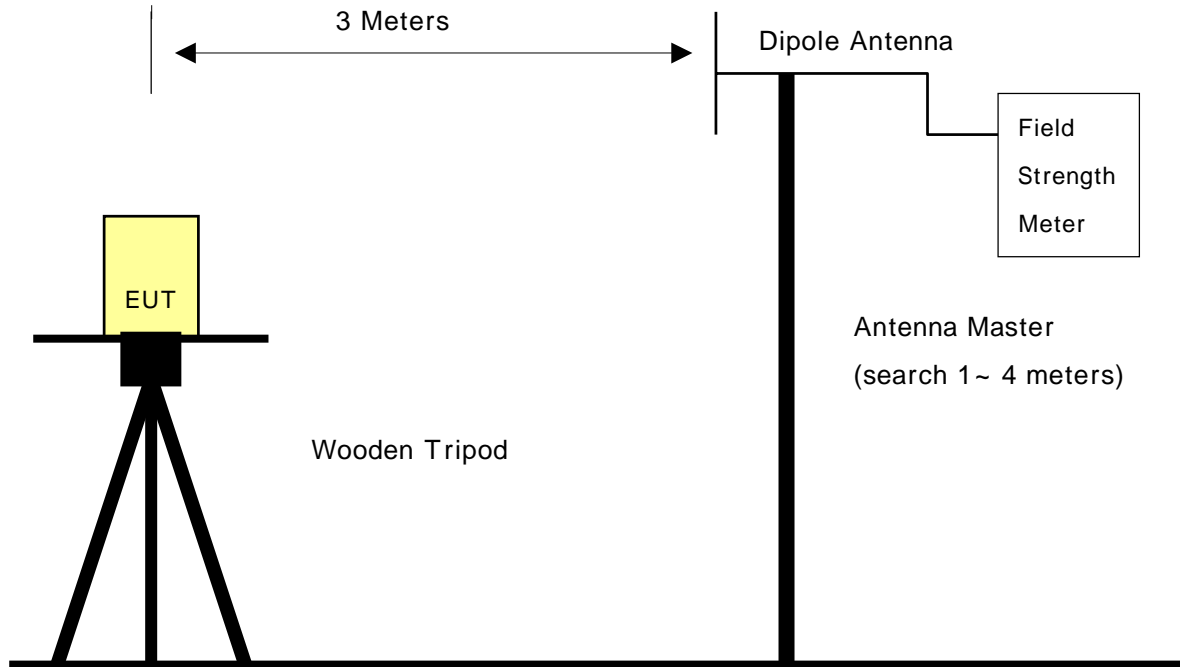


#### Test Procedure

- 1) The EUT was coupled to the spectrum analyzer and the base station simulator through a power divider. The radio frequency load attached to the EUT antenna terminal was 50 Ohm. The loss of the cables the test system is calibrated to correct the reading.
- 2) The spectrum analyzer was set to Maxpeak Detector function and Maximum hold mode.
- 3) The resolution bandwidth of the spectrum analyzer was comparable to the emission bandwidth.  
For GSM signal, VBW=RBW= 1MHz; for CDMA signal, VBW=RBW= 3MHz.

## 4.3 Effective Radiated Power.

### Test Set-up



[Open Field Test Site]

### Test Procedure

The measurement facilities used for this test have been documented in previous filings with the commission pursuant to section 2.948.

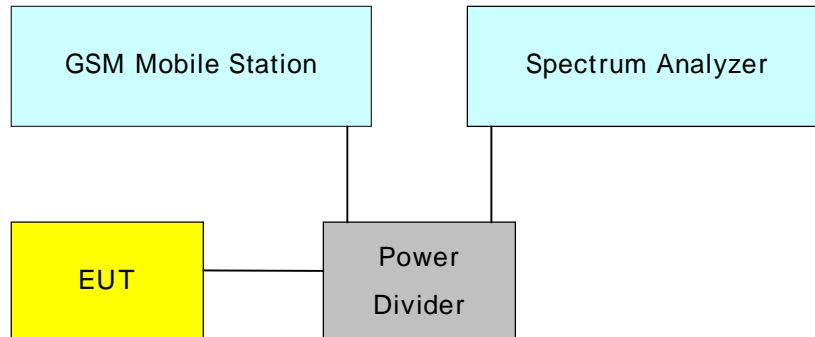
The open field test site is situated in open field with ground screen whose site attenuation characteristics meet ANSI C63.4 –2003. A mast capable of lifting the receiving antenna from a height of one to four meters is used together with a routable wooden platform mounted at three from the antenna mast.

- 1) The EUT mounted on a wooden tripod is 0.8 meter above test site ground level.
- 2) During the test , the turn table is rotated and the antenna height is also varied from 1 to 4 meters until the maximum signal is found.
- 3) Record the field strength meter's level.
- 4) Replace the EUT with  $\lambda / 2$  dipole antenna that is connected to a calibrated signal generator.
- 5) Increase the signal generator output till the field strength meter's level is equal to the item(4).
- 6) The signal generator output level is the rating of effective radiated power(ERP).
- 7) The instrument settings used (RBW/ VBW) during ERP/ EIRP output power measurement are as Blows ;  
-. Below 1GHz : RBW 100KHz, VBW 300KHz / Above 1GHz : RBW 1MHz, VBW 1MHz

## 4.4 Occupied bandwidth.

---

### Test Set-up



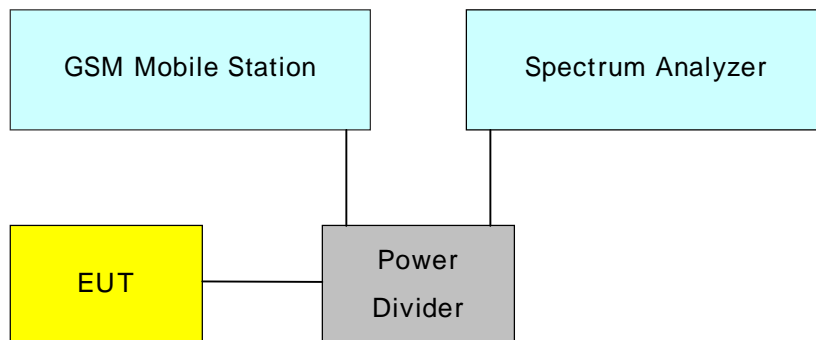
### Test Procedure

The EUT was setup to maximum output power at its lowest channel. The occupied bandwidth was measured using a spectrum analyzer. The measurements are repeated for the highest and a middle channel. The EUT's occupied bandwidth is measured as the width of the signal between two points, one below the carrier center frequency and one above the carrier frequency, outside of which all emissions are attenuated at least 26dB below the transmitter power. Plots of the EUT's occupied bandwidth are shown herein.



## 4.5 Spurious and Harmonic Emissions at Antenna Terminal.

### Test Set-up



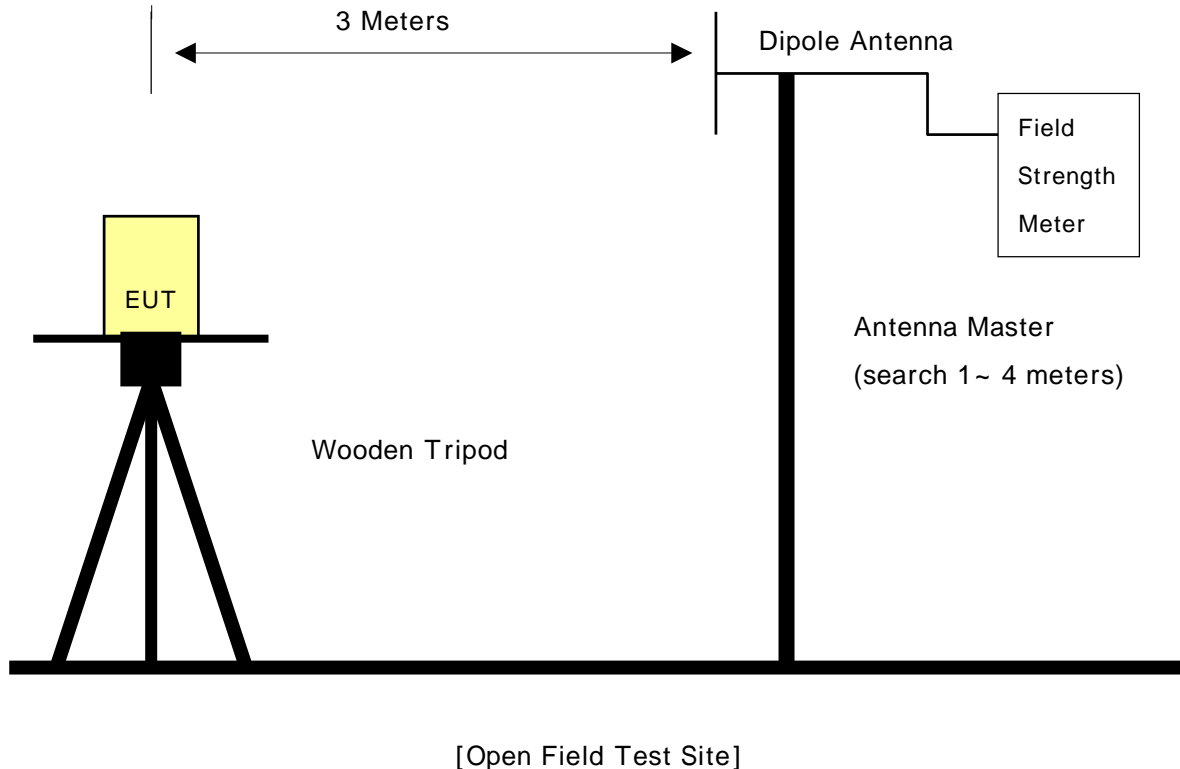
### Test Procedure

The level of the carrier and the various conducted spurious and harmonic frequencies is measured by means of a calibrated spectrum analyzer. The spectrum is scanned from the lowest frequency generated in the equipment up to 10 GHz. The transmitter is modulated with a 2500Hz tone at a level of 16dB greater than that required to provide 50% modulation.

At the input terminals of the spectrum analyzer, an isolator (RF circulator with one port terminated with 50 ohms) and an 870 MHz to 890 MHz band pass filter is connected between the test transceiver (for conducted tests) or the receive antenna (for radiated tests) and the analyzer. The rejection of the bandpass filter to signals in the 825 – 845 MHz range is adequate to limit the transmit energy from the test transceiver which appears to a level which will allow the analyzer to measure signals less than  $-90\text{dBm}$ . Calibration of the test receiver is performed in the 870 – 890 MHz range to insure accuracy to allow variation in the bandpass filter insertion loss to be calibrated.

## 4.6 Field strength of spurious radiation .

### Test Set-up



### Test Procedure

The measurement facilities used for this test have been documented in previous filings with the commission pursuant to section 2.948.

The open field test site is situated in open field with ground screen whose site attenuation characteristics meet ANSI C63.4 –2003. A mast capable of lifting the receiving antenna from a height of one to four meters is used together with a rotatable wooden platform mounted at three from the antenna mast.

- 1) The unit mounted on a wooden table 1.5m × 1.0m × 0.80 is 0.8 meter above test site ground level.
- 2) During the emission test , the turntable is rotated and the EUT is manipulated to find the configuration resulting in maximum emission under normal condition of installation and operation.
- 3) The antenna height and polarization are also varied from 1 to 4 meters until the maximum signal is found.
- 4) The spectrum shall be scanned up to the 10<sup>th</sup> harmonic of the fundamental frequency.
- 5) The instrument settings used (RBW/ VBW) during ERP/ EIRP output power measurement are as belows ;
  - . Below 1GHz : RBW 100KHz, VBW 300KHz
  - . Above 1GHz : RBW 1MHz, VBW 1MHz

## 4.6.1 Field strength of spurious radiation .

### Spectrum Analyzer Settings

1. [Resolution Bandwidth / Video Bandwidth]:
  - a) [3 kHz / 10 kHz] in the Span of 1 MHz directly below and above the GSM-Band,
  - b) [10 kHz / 30 kHz] in case the curve of the analyser IF-Filter leads to an exceeding of the limit, in this case a worst case correction factor of 20 dB (1 MHz -> 10 kHz) was used
  - c) [1 MHz / 3 MHz] otherwise
2. Sweep Time: Calculated by using a formula given in the Product Standard "GSM 11.10-1 edition 4" for spurious emissions measurements (depending on the transmitting signal, the span and the resolution bandwidth)
3. The spurious emissions (peak) were measured in both vertical and horizontal antenna polarization during the call is established on the lowest channel, mid channel and on the highest channel.

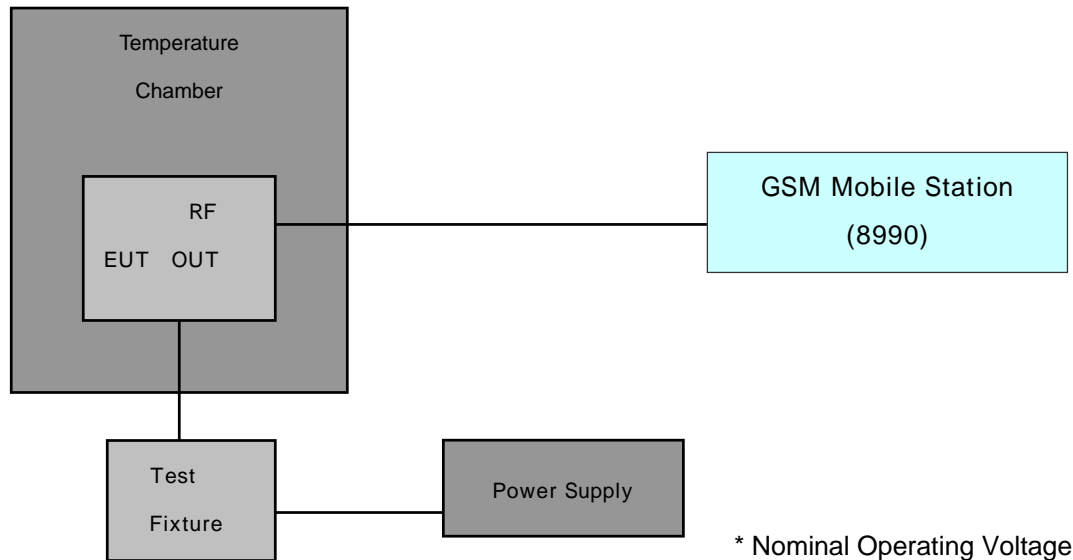
### § 2.1057 Frequency spectrum to be investigated.

- (a) In all of the measurements set forth in Secs. 2.1051 and 2.1053, the spectrum shall be investigated from the lowest radio frequency signal generated in the equipment, without going below 9 kHz, up to at least the frequency shown below:
- (1) If the equipment operates below 10 GHz: to the tenth harmonic of the highest fundamental frequency or to 40 GHz, whichever is lower.
  - (b) Particular attention should be paid to harmonics and sub harmonics of the carrier frequency as well as to those frequencies removed from the carrier by multiples of the oscillator frequency. Radiation at the frequencies of multiplier stages should also be checked.
  - (c) The amplitude of spurious emissions which are attenuated more than 20 dB below the permissible value need not be reported.
  - (d) Unless otherwise specified, measurements above 40 GHz shall be performed using a minimum resolution bandwidth of 1 MHz.

## 4.7 Frequency stability .

### 4.7.1 Frequency stability with variation of ambient temperature.

#### Test Set-up



#### Test Procedure

The frequency stability of the transmitter is measured by:

- Temperature:** The temperature is varied from -30 °C to +50 °C using an environmental chamber.
- Primary Supply Voltage:** The primary supply voltage is varied from 85% to 115% of the voltage normally at the input to the device or at the power supply terminals if cables are not normally supplied.

Specification — The frequency stability shall be sufficient to ensure that the fundamental emission stays within the authorized frequency block. The frequency stability of the transmitter shall be maintained within  $\pm 0.0001$  ( $\pm 1$  ppm) of the center frequency.

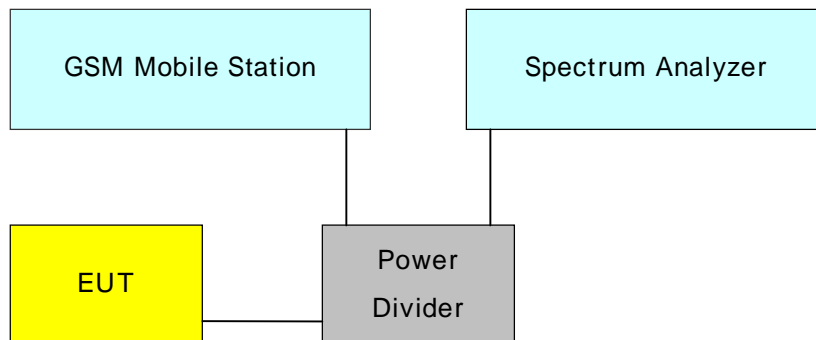
#### Time Period and Procedure:

- The carrier frequency of the transmitter and the individual oscillators is measured at room temperature (25 °C to 27 °C to provide a reference).
- The equipment is subjected to an overnight "soak" at -30 °C without any power applied.
- After the overnight "soak" at 30 °C (usually 14-16 hours), the equipment is turned on in a "standby" condition for one minute before applying power to the transmitter. Measurement of the carrier frequency of the transmitter and the individual oscillators is made within a three minute interval after applying power to the transmitter.
- Frequency measurements are made at 10 °C interval up to room temperature. At least a period of one and one half-hour is provided to allow stabilization of the equipment at each temperature level.
- Again the transmitter carrier frequency and the individual oscillators is measured at room temperature to begin measurement of the upper temperature levels.
- Frequency were made at 10 intervals starting at 30 °C up to +50 °C allowing at least two hours at each temperature for stabilization. In all measurements the frequency is measured within three minutes after applying power to the transmitter.
- The artificial load is mounted external to the temperature chamber.

**NOTE: The EUT is tested down to the battery endpoint.**

## 4.7.2 Frequency stability with variation of primary supply voltage.

### Test Set-up

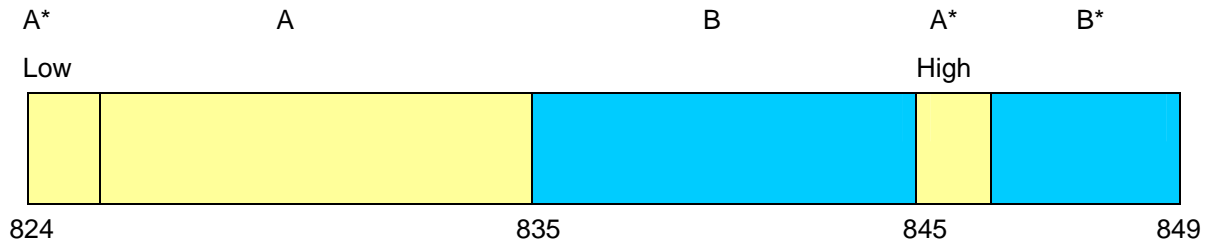


### Test Procedure

- 4) The primary supply is varied in steps of 5% from 85 to 115% of the nominal supply voltage, or reduce primary supply voltage to the battery operating end point.
- 5) The frequency is recorded each 5% step.

## 4.8 Frequency Block Edge

### 4.8.1 Cellular - Mobile Frequency Blocks



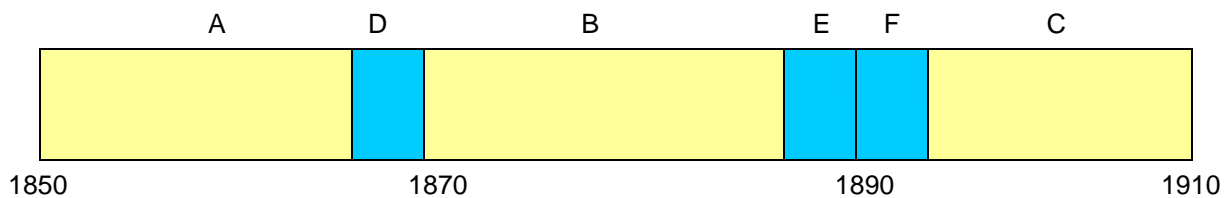
BLOCK 1: 824 – 835 MHz (A\* Low + A)

BLOCK 2: 835 – 845 MHz (B)

BLOCK 3: 845 – 846.5 MHz (A\* High)

BLOCK 4: 846.5 – 849 MHz (B\*)

### 4.8.2 Cellular - Mobile Frequency Blocks



BLOCK 1: 1850 – 1865 MHz (A)

BLOCK 4: 1885 – 1890 MHz (E)

BLOCK 2: 1865 – 1870 MHz (D)

BLOCK 5: 1890 – 1895 MHz (F)

BLOCK 3: 1870 – 1885 MHz (B)

BLOCK 6: 1895 – 1910 MHz (C)

## 5.1 Test Data

### 5.2 Effective Radiated Power Output(GSM)

#### Radiated measurements at 3 meters

Modulation: GSM850

Freq. (MHz)	REF. LEVEL (dBm)	POL (H/V)	ERP (W)	ERP (dBm)	BATTERY
824.20	-22.4	V	0.302	24.80	Standard
836.60	-22.1	V	0.317	25.01	Standard
848.80	-22.3	V	0.304	24.83	Standard

Note: Standard batteries are the only options for this phone

#### NOTES:

Effective Radiated Power Output Measurements by Substitution Method  
according to ANSI/TIA/EIA-603-A-2001, Aug. 15, 2001:

The EUT was placed on a wooden turn table 3-meters from the receive antenna. The receive antenna height and turntable rotation was adjusted for the highest reading on the receive spectrum analyzer. A half-wave dipole was substituted in place of the EUT. This dipole antenna was driven by a signal generator and the level of the signal generator was adjusted to obtain the same receive spectrum analyzer reading. The conducted power at the terminals of the dipole is measured. The ERP is recorded.

## 6.1 Test Data

## 6.2 Equivalent Isotropic Radiated Power (E.I.R.P.) GSM

### Radiated measurements at 3 meters

Modulation: GSM1900

Freq. (MHz)	REF. LEVEL (dBm)	POL (H/V)	Azimuth (o angle)	EIRP (W)	EIRP (dBm)	BATTERY
1850.20	-29.4	V	50°	0.296	24.71	Standard
1880.00	-29.2	V	50°	0.303	24.82	Standard
1909.80	-29.6	V	50°	0.279	24.45	Standard

Note: Standard batteries are the only options for this phone

#### NOTES:

Effective Radiated Power Output Measurements by Substitution Method  
according to ANSI/TIA/EIA-603-A-2001, Aug. 15, 2001:

The EUT was placed on a wooden turn table 3-meters from the receive antenna. The receive antenna height and turntable rotation was adjusted for the highest reading on the receive spectrum analyzer. A Horn antenna was substituted in place of the EUT. This Horn antenna was driven by a signal generator and the level of the signal generator was adjusted to obtain the same receive spectrum analyzer reading. The conducted power at the terminals of the Horn antenna is measured. The difference between the gain of the horn and an isotropic antenna is taken into consideration and the EIRP is recorded.



## 7.1 Test Data

## 7.2 GSM850 Radiated Measurements

### Field Strength of SPURIOUS Radiation

OPERATING FREQUENCY:	824.20 MHz
CHANNEL:	128 (Low)
MEASURED OUTPUT POWER:	25.01dBm = 0.317 W
MODULATION SIGNAL:	GSM (Internal)
DISTANCE:	3 meters
LIMIT: $-(43 + 10 \log_{10} (W)) =$	-38.01 dBc

Freq. (MHz)	LEVEL@ ANTENNA TERMINALS (dBm)	SUBSTITUTE ANTENNA GAIN (dBd)	CORRECT GENERATOR LEVEL (dBm)	POL (H/V)	(dBc)
1648.40	-45.9	7.3	-38.6	V	-59.3
2472.60	-54.8	8.3	-46.5	V	-66.4
3296.80	-67.6	9.7	-57.9	V	-76.6

**NOTES:**

Radiated Spurious Emission Measurements by Substitution Method  
 according to ANSI/TIA/EIA-603-A-2001, Aug. 15, 2001:

The EUT was placed on a wooden turn table 3-meters from the receive antenna. The receive antenna height and turntable rotation was adjusted for the highest reading on the receive spectrum analyzer. A half-wave dipole was substituted in place of the EUT. This dipole antenna was driven by a signal generator and the level of the signal generator was adjusted to obtain the same receive spectrum analyzer reading. This spurious level is recorded. For readings above 1GHz, the above procedure is repeated using horn antennas and the difference between the gain of the horn and an isotropic or dipole antenna are taken into consideration.

## 7.1 Test Data

### 7.3 GSM850 Radiated Measurements

#### Field Strength of SPURIOUS Radiation

OPERATING FREQUENCY:	_____	836.60 MHz
CHANNEL:	_____	190 (Mid)
MEASURED OUTPUT POWER:	_____	25.01dBm = 0.317 W
MODULATION SIGNAL:	_____	GSM (Internal)
DISTANCE:	_____	3 meters
LIMIT: $-(43 + 10 \log_{10} (W)) =$	_____	-38.01 dBc

Freq. (MHz)	LEVEL@ ANTENNA TERMINALS (dBm)	SUBSTITUTE ANTENNA GAIN (dBd)	CORRECT GENERATOR LEVEL (dBm)	POL (H/V)	(dBc)
1673.20	-44.4	7.3	-37.1	V	-57.8
2509.80	-53.6	8.3	-45.3	V	-65.2
3346.40	-68.3	9.7	-58.6	V	-77.3

**NOTES:**

Radiated Spurious Emission Measurements by Substitution Method  
according to ANSI/TIA/EIA-603-A-2001, Aug. 15, 2001:

The EUT was placed on a wooden turn table 3-meters from the receive antenna. The receive antenna height and turntable rotation was adjusted for the highest reading on the receive spectrum analyzer. A half-wave dipole was substituted in place of the EUT. This dipole antenna was driven by a signal generator and the level of the signal generator was adjusted to obtain the same receive spectrum analyzer reading. This spurious level is recorded. For readings above 1GHz, the above procedure is repeated using horn antennas and the difference between the gain of the horn and an isotropic or dipole antenna are taken into consideration.

## 7.1 Test Data

### 7.4 GSM850 Radiated Measurements

#### Field Strength of SPURIOUS Radiation

OPERATING FREQUENCY:	_____	848.80 MHz
CHANNEL:	_____	251 (High)
MEASURED OUTPUT POWER:	_____	25.01dBm = 0.317 W
MODULATION SIGNAL:	_____	GSM (Internal)
DISTANCE:	_____	3 meters
LIMIT: $-(43 + 10 \log_{10} (W)) =$	_____	-38.01 dBc

Freq. (MHz)	LEVEL@ ANTENNA TERMINALS (dBm)	SUBSTITUTE ANTENNA GAIN (dBd)	CORRECT GENERATOR LEVEL (dBm)	POL (H/V)	(dBc)
1699.60	-46.6	7.3	-39.3	V	-60.0
2549.40	-54.1	8.3	-45.8	V	-65.7
3390.20	-70.1	9.7	-60.4	V	-79.1

**NOTES:**

Radiated Spurious Emission Measurements by Substitution Method

according to ANSI/TIA/EIA-603-A-2001, Aug. 15, 2001:

The EUT was placed on a wooden turn table 3-meters from the receive antenna. The receive antenna height and turntable rotation was adjusted for the highest reading on the receive spectrum analyzer. A half-wave dipole was substituted in place of the EUT. This dipole antenna was driven by a signal generator and the level of the signal generator was adjusted to obtain the same receive spectrum analyzer reading. This spurious level is recorded. For readings above 1GHz, the above procedure is repeated using horn antennas and the difference between the gain of the horn and an isotropic or dipole antenna are taken into consideration.

## 7.1 Test Data

### 7.5 GSM1900 Radiated Measurements

#### Field Strength of SPURIOUS Radiation

OPERATING FREQUENCY:	_____	1850.20 MHz
CHANNEL:	_____	512 (Low)
MEASURED OUTPUT POWER:	_____	24.82dBm = 0.303 W
MODULATION SIGNAL:	_____	GSM (Internal)
DISTANCE:	_____	3 meters
LIMIT: $-(43 + 10 \log_{10} (W)) =$	_____	-37.81 dBc

Freq. (MHz)	LEVEL@ ANTENNA TERMINALS (dBm)	SUBSTITUTE ANTENNA GAIN (dBd)	CORRECT GENERATOR LEVEL (dBm)	POL (H/V)	(dBc)
3700.40	-52.0	12.4	-39.6	V	-55.4
5550.60	-60.4	11.7	-48.7	V	-65.4
7400.80	-64.1	11.5	-52.6	V	-69.8

**NOTES:**

Radiated Spurious Emission Measurements by Substitution Method  
according to ANSI/TIA/EIA-603-A-2001, Aug. 15, 2001:

The EUT was placed on a wooden turn table 3-meters from the receive antenna. The receive antenna height and turntable rotation was adjusted for the highest reading on the receive spectrum analyzer. A half-wave dipole was substituted in place of the EUT. This dipole antenna was driven by a signal generator and the level of the signal generator was adjusted to obtain the same receive spectrum analyzer reading. This spurious level is recorded. For readings above 1GHz, the above procedure is repeated using horn antennas and the difference between the gain of the horn and an isotropic or dipole antenna are taken into consideration.

## 7.1 Test Data

## 7.6 GSM1900 Radiated Measurements

### Field Strength of SPURIOUS Radiation

OPERATING FREQUENCY: \_\_\_\_\_ 1880.00 MHz \_\_\_\_\_  
 CHANNEL: \_\_\_\_\_ 661 (Mid) \_\_\_\_\_  
 MEASURED OUTPUT POWER: \_\_\_\_\_ 24.82dBm = 0.303 W \_\_\_\_\_  
 MODULATION SIGNAL: \_\_\_\_\_ GSM (Internal) \_\_\_\_\_  
 DISTANCE: \_\_\_\_\_ 3 meters \_\_\_\_\_  
 LIMIT:  $-(43 + 10 \log_{10} (W)) =$  \_\_\_\_\_ -37.81 dBc \_\_\_\_\_

Freq. (MHz)	LEVEL@ ANTENNA TERMINALS (dBm)	SUBSTITUTE ANTENNA GAIN (dBd)	CORRECT GENERATOR LEVEL (dBm)	POL (H/V)	(dBc)
3760.00	-50.9	12.4	-38.5	V	-54.3
5460.00	-60.9	11.7	-49.2	V	-65.9
7520.00	-65.6	11.5	-54.1	V	-71.2

**NOTES:**

Radiated Spurious Emission Measurements by Substitution Method  
 according to ANSI/TIA/EIA-603-A-2001, Aug. 15, 2001:

The EUT was placed on a wooden turn table 3-meters from the receive antenna. The receive antenna height and turntable rotation was adjusted for the highest reading on the receive spectrum analyzer. A half-wave dipole was substituted in place of the EUT. This dipole antenna was driven by a signal generator and the level of the signal generator was adjusted to obtain the same receive spectrum analyzer reading. This spurious level is recorded. For readings above 1GHz, the above procedure is repeated using horn antennas and the difference between the gain of the horn and an isotropic or dipole antenna are taken into consideration.

## 7.1 Test Data

### 7.7 GSM1900 Radiated Measurements

#### Field Strength of SPURIOUS Radiation

OPERATING FREQUENCY: \_\_\_\_\_ 1909.80 MHz \_\_\_\_\_  
 CHANNEL: \_\_\_\_\_ 810 (High) \_\_\_\_\_  
 MEASURED OUTPUT POWER: \_\_\_\_\_ 24.82dBm = 0.303 W \_\_\_\_\_  
 MODULATION SIGNAL: \_\_\_\_\_ GSM (Internal) \_\_\_\_\_  
 DISTANCE: \_\_\_\_\_ 3 meters \_\_\_\_\_  
 LIMIT:  $-(43 + 10 \log_{10} (W)) =$  \_\_\_\_\_ -37.81 dBc \_\_\_\_\_

Freq. (MHz)	LEVEL@ ANTENNA TERMINALS (dBm)	SUBSTITUTE ANTENNA GAIN (dBd)	CORRECT GENERATOR LEVEL (dBm)	POL (H/V)	(dBc)
3819.60	-51.6	12.4	-39.2	V	-55.0
5729.40	-59.2	11.7	-47.5	V	-64.2
7639.20	-65.1	11.5	-53.6	V	-70.7

**NOTES:**

Radiated Spurious Emission Measurements by Substitution Method  
 according to ANSI/TIA/EIA-603-A-2001, Aug. 15, 2001:

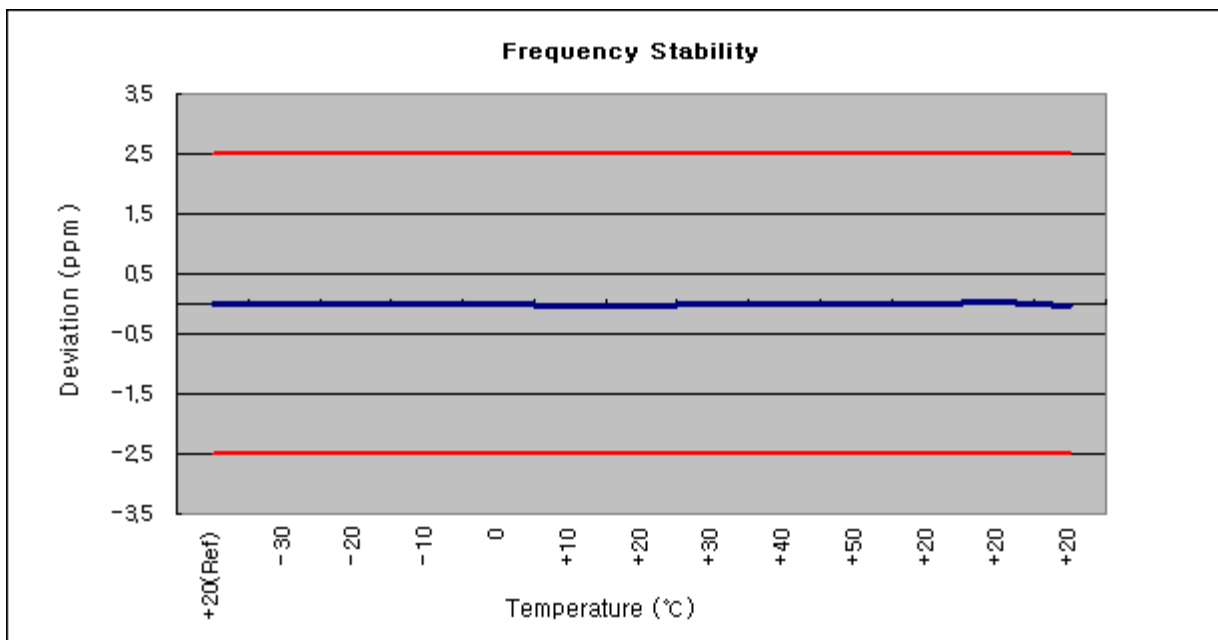
The EUT was placed on a wooden turn table 3-meters from the receive antenna. The receive antenna height and turntable rotation was adjusted for the highest reading on the receive spectrum analyzer. A half-wave dipole was substituted in place of the EUT. This dipole antenna was driven by a signal generator and the level of the signal generator was adjusted to obtain the same receive spectrum analyzer reading. This spurious level is recorded. For readings above 1GHz, the above procedure is repeated using horn antennas and the difference between the gain of the horn and an isotropic or dipole antenna are taken into consideration.

## 8.1 Test Data

### 8.2 FREQUENCY STABILITY (GSM850)

OPERATING FREQUENCY: 836,600,000 Hz  
 CHANNEL: 190  
 REFERENCE VOLTAGE: 3.7 VDC  
 DEVIATION LIM IT: ± 0.00025 % or 2.5 ppm

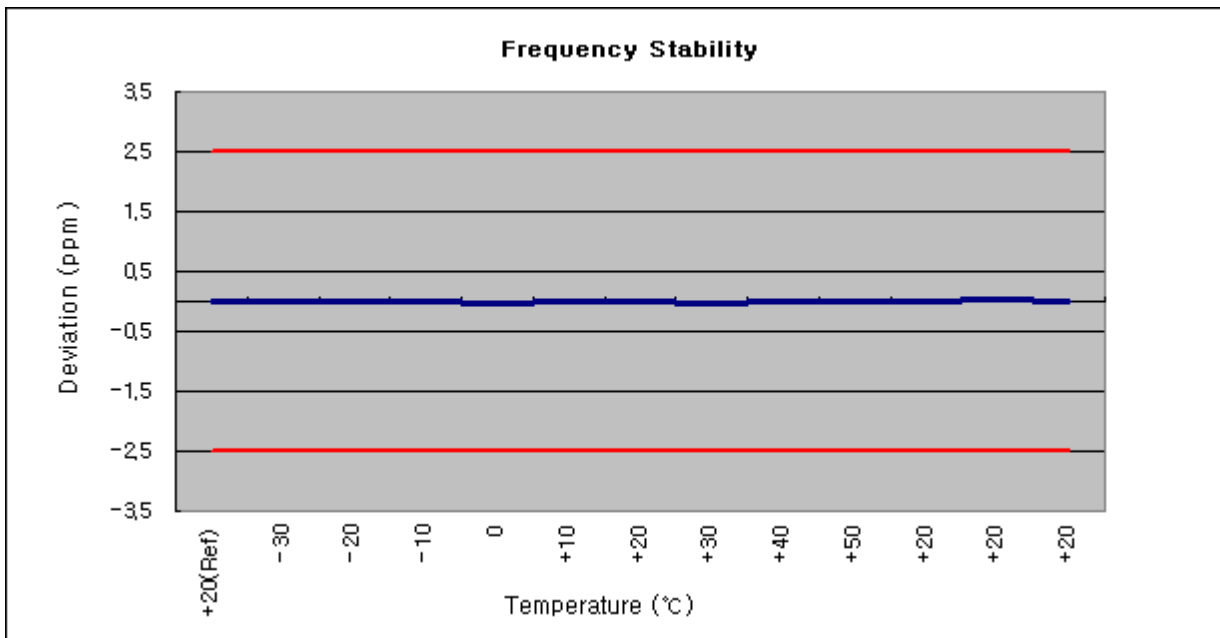
Voltage (%)	Power (VDC)	Temp. ( )	Frequency (Hz)	Frequency Error (Hz)	Deviation (%)	ppm
100%	3.70	+20(Ref)	836,600,019	19	0.000002	0.010
100%		-30	836,600,024	24	0.000003	0.013
100%		-20	836,600,016	16	0.000002	0.009
100%		-10	836,599,975	-25	-0.000003	-0.013
100%		0	836,600,027	27	0.000003	0.014
100%		+10	836,599,968	-32	-0.000004	-0.017
100%		+20	836,599,957	-43	-0.000005	-0.023
100%		+30	836,599,972	-28	-0.000003	-0.015
100%		+40	836,600,030	30	0.000004	0.016
100%		+50	836,599,971	-29	-0.000003	-0.015
85%	3.40	+20	836,599,975	-25	-0.000003	-0.013
115%	4.26	+20	836,600,034	34	0.000004	0.018
Batt. Endpoint	3.12	+20	836,599,964	-36	-0.000004	-0.019



### 8.3 FREQUENCY STABILITY (GSM1900)

OPERATING FREQUENCY: 1,880,000,000 Hz  
 CHANNEL: 661  
 REFERENCE VOLTAGE: 3.7 VDC  
 DEVIATION LIMIT: ± 0.00025 % or 2.5 ppm

Voltage (%)	Power (VDC)	Temp. ( )	Frequency (Hz)	Frequency Error (Hz)	Deviation (%)	ppm
100%	3.70	+20(Ref)	1,880,000,026	26	0.000001	0.014
100%		-30	1,879,999,969	-31	-0.000002	-0.016
100%		-20	1,880,000,019	19	0.000001	0.010
100%		-10	1,880,000,022	22	0.000001	0.012
100%		0	1,879,999,964	-36	-0.000002	-0.019
100%		+10	1,880,000,018	18	0.000001	0.010
100%		+20	1,879,999,971	-29	-0.000002	-0.015
100%		+30	1,879,999,959	-41	-0.000002	-0.022
100%		+40	1,880,000,024	24	0.000001	0.013
100%		+50	1,880,000,012	12	0.000001	0.006
85%	3.40	+20	1,880,000,026	26	0.000001	0.014
115%	4.26	+20	1,880,000,035	35	0.000002	0.019
Batt. Endpoint	3.12	+20	1,879,999,972	-28	-0.000001	-0.015





## 9.1 PLOT(S) OF EMISSION

---

**(SEE ATTACHMENT D)**

## 10.1 LIST OF TEST EQUIPMENT

Type / Model	Calib. Date	S/N
Spectrum Analyzer (20Hz~40GHz) R&S ESI40	Dec. 05	1088.7410
Spectrum Analyzer (100Hz~26.5GHz) R3273	April 06	J04821
Signal Generator HP8373ED (10MHz ~ 20GHz)	July 06	US8710152
Power Meter E4416A	Jan. 06	GB41291412
Power Sensor E9327A	Jan. 06	US40440910
Network Analyzer 8753ES (30KHz ~ 6GHz)	April06	JP39240221
Modulation Analyzer HP8901A	June 06	3438A05231
Audio Analyzer HP 8903A	Feb.06	2433A04322
Function Generator HP 8116A	Feb.06	3001A08285
Base Station CMU200	March 06	110740
Base Station E5515C	May 06	US41070189
Base Station NJZ-2000	May 06	ET00117
Bluetooth Simulator TC-3000	Jan 06	3000A490112
AMF-4D-001180-26-10P (0.1~18GHz)	Feb.06	671009
AMF-4D-001180-26-10P (18~26.5GHz)	Feb.06	667624
AMF-4D-001180-26-10P (26~40GHz)	Feb.06	671314
High Pass Filter WHK1.2/15G	June 06	62079
High Pass Filter WHK3.3/18G	June 06	62079
High Pass Filter H18G26G1	June 06	3407
Power Divider 1506A	Jan. 06	MD793
Power Supply EP-3010	Dec. 06	3110117
Dipole Antenna UHAP	June 06	557
Dipole Antenna UHAP	June 06	558
TRILOG Antenna VULB9160 (25MHz~1800MHz)	May 06	3125
TRILOG Antenna VULB9160 (25MHz~1800MHz)	April 06	4150
Horn Antenna BBHA 9120D (1~18GHz)	June 06	1099
Horn Antenna BBHA 9120D (1~18GHz)	March 06	1201
Horn Antenna BBHA 9170 (15~40GHz)	Feb.06	BBHA9170124
Receiver ESCI (9KHz~3GHz)	Aug. 06	1166.5950k03
LISN EMCO 3825/2	July 06	9706-1070
LISN Rohde & Schwarz ESH2-Z5	July 06	9706-1071
Amplifier Hewlett-Packard 8447E	March 06	2805A03141
Antenna Position Tower HD240	N.A	3241
Turn Table EMCO 1060-06	N.A	1253A
AC Power Source PACIFIC Magnetic Module	N.A	45321
AC Power Source PACIFIC 360AMX	N.A	22B87

## 11.1 SAMPLE CALCULATIONS

### A. ERP Sample Calculation

Freq. Tuned (MHz)	LEVEL(1) (dBm)	POL (H/V)	ERP (W)	ERP(2) (dBm)	BATTERY
824.70	-29.73	H	0.346	25.393	Standard

- 1) The EUT mounted on a wooden tripod is 0.8 meter above test site ground level.
- 2) During the test , the turn table is rotated and the antenna height is also varied from 1 to 4 meters until the maximum signal is found.
- 3) Record the field strength meter's level.(LEVEL)
- 4) Replace the EUT with dipole antenna that is connected to a calibrated signal generator.
- 5) Increase the signal generator output till the field strength meter's level is equal to the item(3).
- 6) The signal generator output level with cable loss is the rating of effective radiated power(ERP).  
(Cable loss means the factor between Signal Generator and Transmitting Antenna.)

For more details, please refer to the test set-up procedure.

### B. Emission Designator

Emission Designator = 300KGXW

GSM BW = 300 KHz

G = Phase Modulation

X = Cases not otherwise covered

W = Combination (Audio/Data)

Emission Designator = 300KGXW

## 12.1 CONCLUSION

---

The data collected shows that the Tri-Band GSM Phone. **FCC ID: UTA8SLIM11B** complies with all the requirements of Parts 2 and 22, 24 of the FCC rules.