



**Technical Support**

☎ 1.800.672.PAXT



[support@paxton-access.com](mailto:support@paxton-access.com)

Technical help is available: Monday - Friday from 12:00 AM - 5:00 PM (PST)  
Saturday from 1:00 AM - 5:00 AM (PST)

Documentation on all Paxton Access products can be found on our web site - <http://www.paxton-access.com/>

**Suitability**

Security sensitive doors ✓

Mounted on metal surface ✗

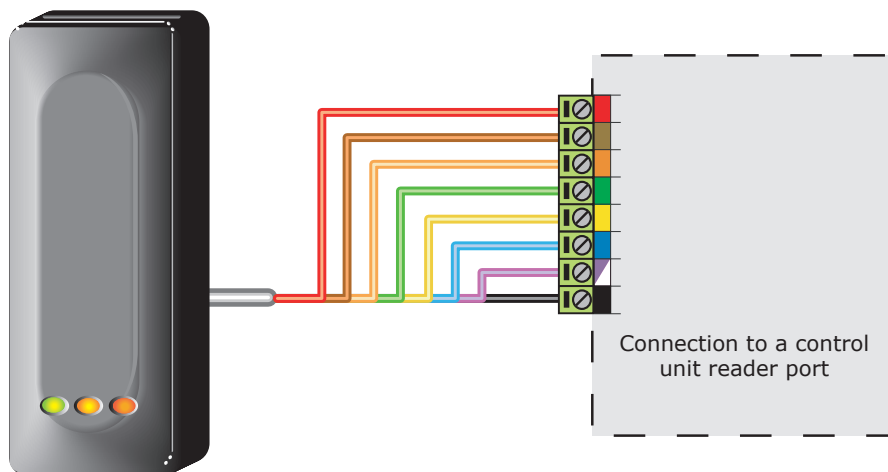
Wet environments ✓

Readers mounted together **12 inches**  
between readers

**Fitting**



## Wiring



## Cable extensions

Readers can be extended using Belden CR9540 10-core overall screened cable. The maximum length is 100 yards.

Specifications			
Environment	Min	Max	
Operating temperatures - all items	-35 °C (-31 °F)	+66 °C (+151 °F)	
Waterproof			Yes - Rated IPX7
Cable length			3 yards
Electrical	Min	Max	
Voltage	9V DC	14V DC	
Current		150 mA	
Carrier frequency			125 kHz
Clock and data bit period			1 ms
Dimensions	Width	Height	Depth
	1 3/8 inch	3 1/2 inch	1 inch
Read Range	Minifob	Prox disk	ISO Card
EM4100	2 inch	1 1/2 inch	1 1/2 inch

## FCC Compliance

This device complies with Part 15 of the FCC Rules. Operation is subject to the following two conditions: (1) this device may not cause harmful interference, and (2) this device must accept any interference received, including interference that may cause undesired operation. Changes or modifications not expressly approved by the party responsible for compliance could void the user's authority to operate the equipment.