




**Technical Support**


 1.800.672.PAXT


 [support@paxton-access.com](mailto:support@paxton-access.com)


Technical help is available: Monday - Friday from 12:00 AM - 5:00 PM (PST)  
Saturday from 1:00 AM - 5:00 AM (PST)

Documentation on all Paxton Access products can be found on our web site - <http://www.paxton-access.com/>

**Suitability**

Security sensitive doors 

Mounted on metal surface 

Wet environments 

Readers mounted together **12 inches**  
between readers

**Fitting**



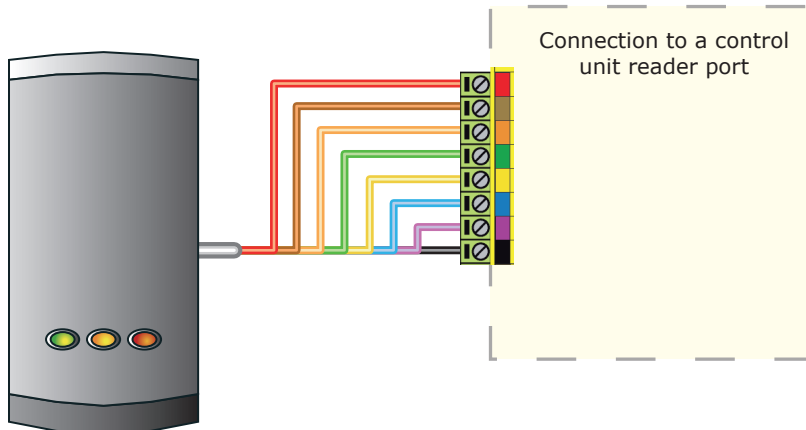
**Reader covers**

Additional covers are available in black, white, grey, blue and silver. Registered installers can order these free of charge by logging onto the secure installer extranet: <http://paxton.info/1035>. If you are not a registered installer please call us on: **877.438.7298** for more information.

**Cable extensions**

Readers can be extended using Belden CR9540 10-core overall screened cable. The maximum length is 100 yards.

## Wiring



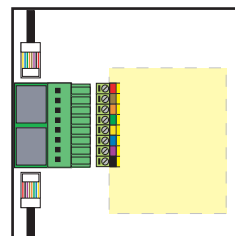
## Connection modules



### Reader junction box (325-020-US)

This module can be used to provide a connection point for the reader RJ45 plug. The terminals on the module are then wired color for color to the controller.

Alternatively, the reader can be wired directly into the screw terminals of the control unit by first cutting off the RJ45 plug.



### Reader Port Module (325-030-US)

This module may be purchased separately to speed up the installing and replacement of readers.

The reader port module is designed to convert the standard reader ports on Switch2 and Net2 controllers to accept one or two RJ45 connections. Pull off the screw terminal block from the reader port and simply replace it with this module.

Further information on how to purchase Installer Tools is available at: <http://paxton.info/841>

## Specifications

Environment	Min		Max
	Operating temperatures - all items	-35 °C (-31 °F)	+66 °C (+151 °F)
Waterproof			Yes - Rated IPX7
Cable length			5 yards
Electrical	Min		Max
	Voltage	8V DC	14V DC
Current			170 mA
Carrier frequency			125 kHz
			13.56 MHz
Clock and data bit period	570 µs	700 µs	
Dimensions	Width		Height
		2 inch	4 inch
			5/8 inch

## Token type and read range

Type	Minimum	Type	Minimum	Type	Minimum
Mifare 1K	1 inch	Net2 keyfob	1 inch	EM4100 keyfob	1 inch
Mifare 4K	1 inch	Net2 token	2 inch	EM4100 card	1 inch
Mifare Ultralight / C	1/2 inch	Net2 watchprox	1/2 inch	EM4100 proxdisc	1 inch
Mifare Desfire	1 inch	Hitag2 ISO	2 inch	Hitag1 ISO	2 inch
		Hands Free Token	3 feet		

This product is not suitable for retail sale. All warranties are invalid if this product is not installed by a competent person.

This device complies with Part 15 of the FCC Rules. Operation is subject to the following two conditions:

(1) this device may not cause harmful interference, and (2) this device must accept any interference received, including interference that may cause undesired operation. Changes or modifications not expressly approved by the party responsible for compliance could void the user's authority to operate the equipment.