

Label Information

Net2 Entry Touchpanel






Original Author	Walter Riche
Creation Date	January 2017
Status	Rev 2.0




FCC Label

This device complies with Part 15 of the FCC Rules. Operation is subject to the following two conditions:
(1) this device may not cause harmful interference, and
(2) this device must accept any interference received, including interference that may cause undesired operation.

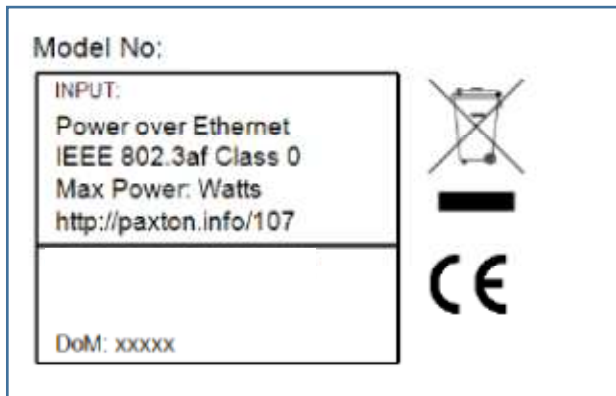
Product Label

Model No: 337 - 620	  	
<table border="1"><tr><td>INPUT: Power over Ethernet IEEE 802.3af Class 0 Max Power: Watts http://paxton.info/107</td></tr><tr><td>FCC ID: USE337620 IC: 10217A-337620 DoM: xxxxx</td></tr></table>		INPUT: Power over Ethernet IEEE 802.3af Class 0 Max Power: Watts http://paxton.info/107
INPUT: Power over Ethernet IEEE 802.3af Class 0 Max Power: Watts http://paxton.info/107		
FCC ID: USE337620 IC: 10217A-337620 DoM: xxxxx		

Surface mount 337-620

Model No:	  	
<table border="1"><tr><td>INPUT: Power over Ethernet IEEE 802.3af Class 0 Max Power: Watts http://paxton.info/107</td></tr><tr><td>DoM: xxxxx</td></tr></table>		INPUT: Power over Ethernet IEEE 802.3af Class 0 Max Power: Watts http://paxton.info/107
INPUT: Power over Ethernet IEEE 802.3af Class 0 Max Power: Watts http://paxton.info/107		
DoM: xxxxx		

Flush Mount 337-600



Rain Hood 337-610

Label Make-up Information:

Base label: Label – ils-4025 - 40x25mm UL Z-X4000T white, 2730 per roll

Label dimensions: 40mm x 25mm

Label material and print ribbon manufacturer: ZEBRA TECHNOLOGIES EUROPE LTD

Label materials: Z Xtreme 4000T White with 3200 ribbon.

UL file number: PGJ12.MH18322

Location of Labels



Rear panel of Touchscreen