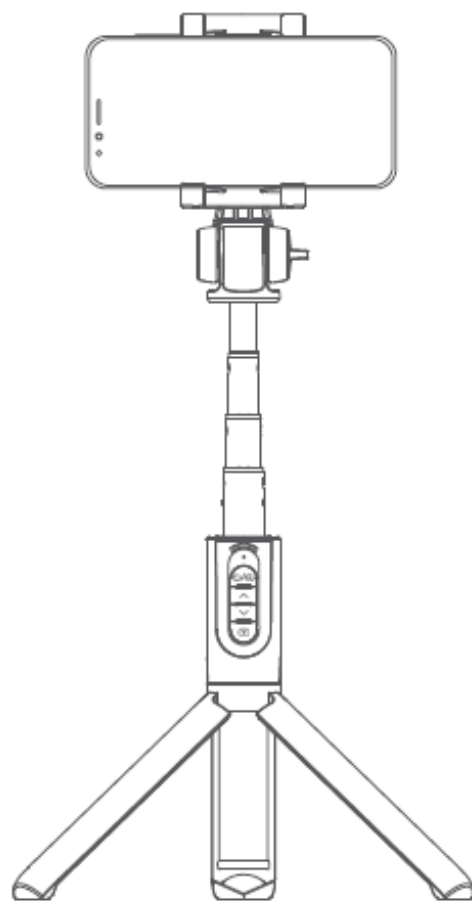


# Dispho®

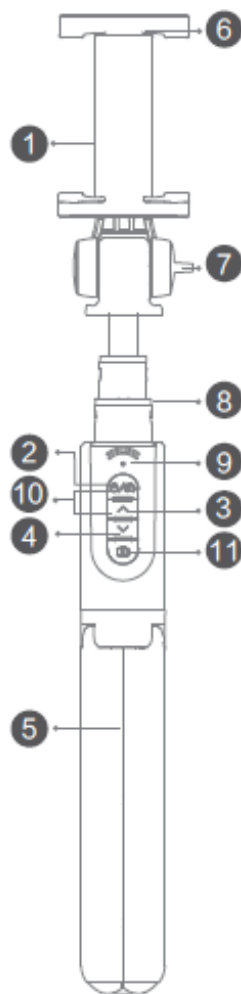
FCC ID: UR9WS-19017

## Upgraded Tripod



Instruction

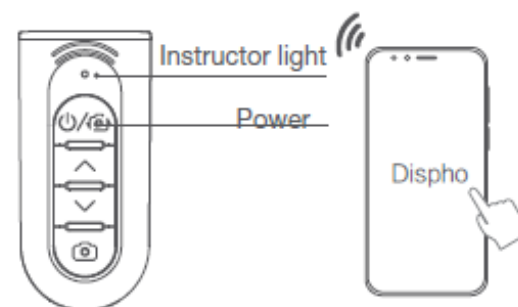
### DESCRIPTION



- |                             |                   |
|-----------------------------|-------------------|
| ① Phone bracket             | ⑥ Head of tripod  |
| ② Power/Camera transferring | ⑦ Knob            |
| ③ Enlarge focal length      | ⑧ Pull rod        |
| ④ Narrow focal length       | ⑨ Indicator light |
| ⑤ Tripod                    | ⑩ Combination key |
|                             | ⑪ Shot key        |

### BLUETOOTH

- 1 Before taking photos, please make sure that the volume key function in the camera setting is the shutter key by default.
- 2 Power on after long pressing the power button for 3 seconds, then turn on the phone bluetooth to enter search condition, and click "Dispho" in the searched equipment. The blue light will be on after the success of the connection.



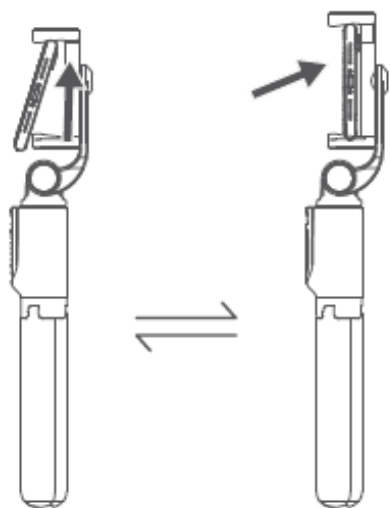
### USING STEPS

#### ① Remote control functions

You should do this in photo mode:

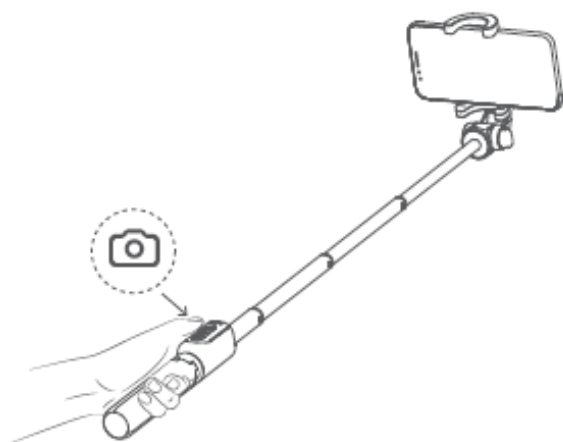
1. Pull the power or switch to transfer camera.
2. Short press or long press the zoom key to take a picture closer.
3. Short press or long press the narrow key to take a picture further.
4. Push the shot key to shot (photo mood)
5. If you are unable to take photos / switch camera / adjust after connecting mobile phone Focus, press the combination switch key (first press the on key, then quickly press the zoom key, the blue light flashes twice, the switch is successful) and then try again. (Switch camera and adjust focus function only compatible with some mobile phones)

## ② How to fix the phone



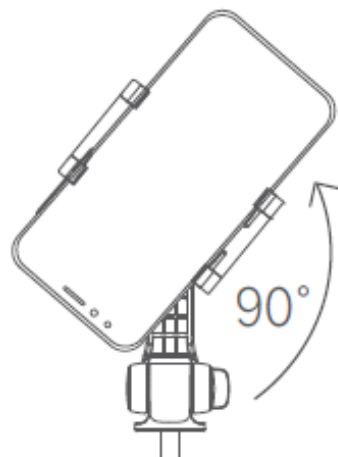
## ③ How to take photo

Pulling out the pod, adjust angle, then you can press the key.



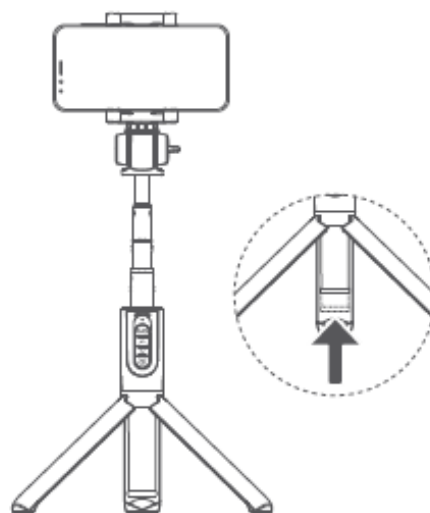
## ④ The way to use

Rotate the phone 90 degrees to switch between horizontal and vertical screens



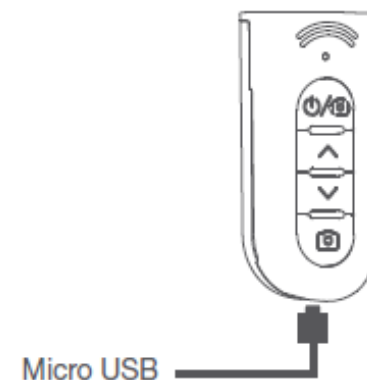
## ⑤ How to use the tripod

Open the tripod, push the bottom of the pod up, and ensure use it on flat.



## HOW TO RECHARGE

Using the Micro USB to recharge, the red light will on in the process, and off when it is finish.



## OFF THE POWER

Press the power for 3 seconds, Blue light goes out after three flashes, means its power is off.

## TIPS

1. If no operation in 5 min after connecting Bluetooth, The selfie stick will be in dormancy automatically, press the shot key if you want to reconnect, no operation in 30 min, the stick will be off.
2. When using the self timer, when the battery power is insufficient, the self timer will have a red light flashing. Please charge in time at this time.

---

The device has been evaluated to meet general RF exposure requirement, The device can be used in portable exposure condition without restriction Federal Communication Commission (FCC) Radiation Exposure Statement Power is so low that no RF exposure calculation is needed.

This device complies with part 15 of the FCC rules. Operation is subject to the following two conditions:

(1) this device may not cause harmful interference, and

(2) this device must accept any interference received, including interference that may cause undesired operation.

NOTE: The manufacturer is not responsible for any radio or TV interference caused by unauthorized modifications or changes to this equipment. Such modifications or changes could void the user' s authority to operate the equipment.