

4

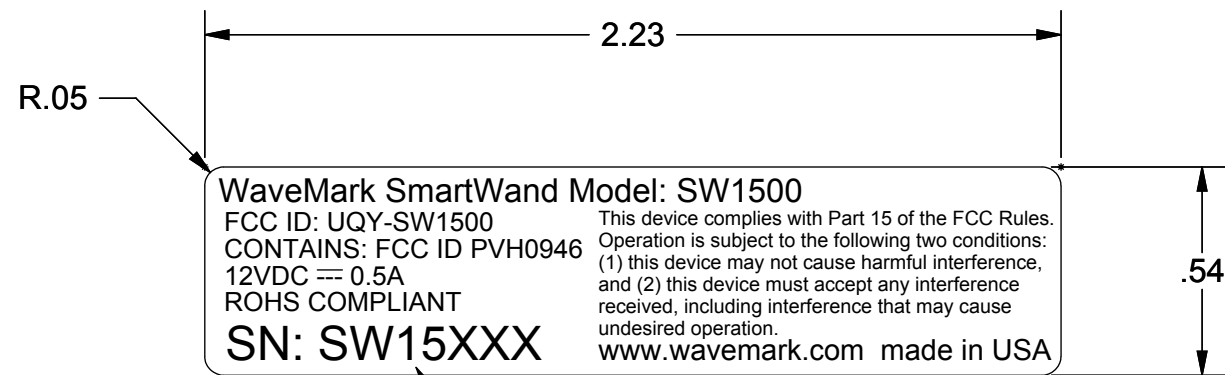
3

2

1

REVISIONS				
ZONE	REV.	DESCRIPTION	DATE	APPROVED
	A	RELEASE FOR PRODUCTION	08/01/13	JB


D  
 REV A  
 SHEET 1



SERIAL NUMBER TO BE SEQUENCED.  
START NO. TO BE REFERENCED ON P.O.

DOC NO.  
 C  
 B

- NOTES:
- MATERIAL: MYL, WHT-OPAQ, T/C249(20X27 - 2 MIL, V-23, 90# PFW MYL,MAT,#OM100CM(27"X750' - 1MIL,L44 ADH,42#PP-8
  - ALL MATERIALS AND MANUFACTURING PROCESSES MUST BE ROHS COMPLIANT.
  - MATERIAL AND ROHS CERTIFICATE OF COMPLIANCE REQUIRED WITH PART DELIVERY

UNLESS OTHERWISE SPECIFIED		PROPRIETARY NOTICE		 One Monarch Drive, Littleton, MA 01460	
ALL DIMENSIONS ARE IN INCHES ALL DIMENSIONS APPLY AFTER FINISH		THE INFORMATION CONTAINED IN THIS DRAWING IS THE PROPERTY OF WAVEMARK INC AND IS CONFIDENTIAL AND PROPRIETARY TO THE COMPANY. IT IS NOT TO BE COPIED OR REPRODUCED IN WHOLE OR IN PART UNLESS AUTHORIZED BY WAVEMARK INC.			
STANDARD TOLERANCES .XX = ±.01 .XXX = ±.005 FRAC. = ±1/32      ANGLES = ±1/2° CONCENTRICITY .005 TIR ALL MACHINED SURFACES 63√ ALL SHARP EDGES .01-.02		DO NOT SCALE DRAWING		TITLE FCC SMARTWAND LABEL ROHS	
MATERIAL:		APPROVALS		DATE	
		DRAWN      JB		10/24/08	
FINISH:		CHECKED		ENGINEER	
		SIZE B		DOC NO.      91-0069-R      REV A	
		SCALE      2:1		SHEET      1      OF      1	

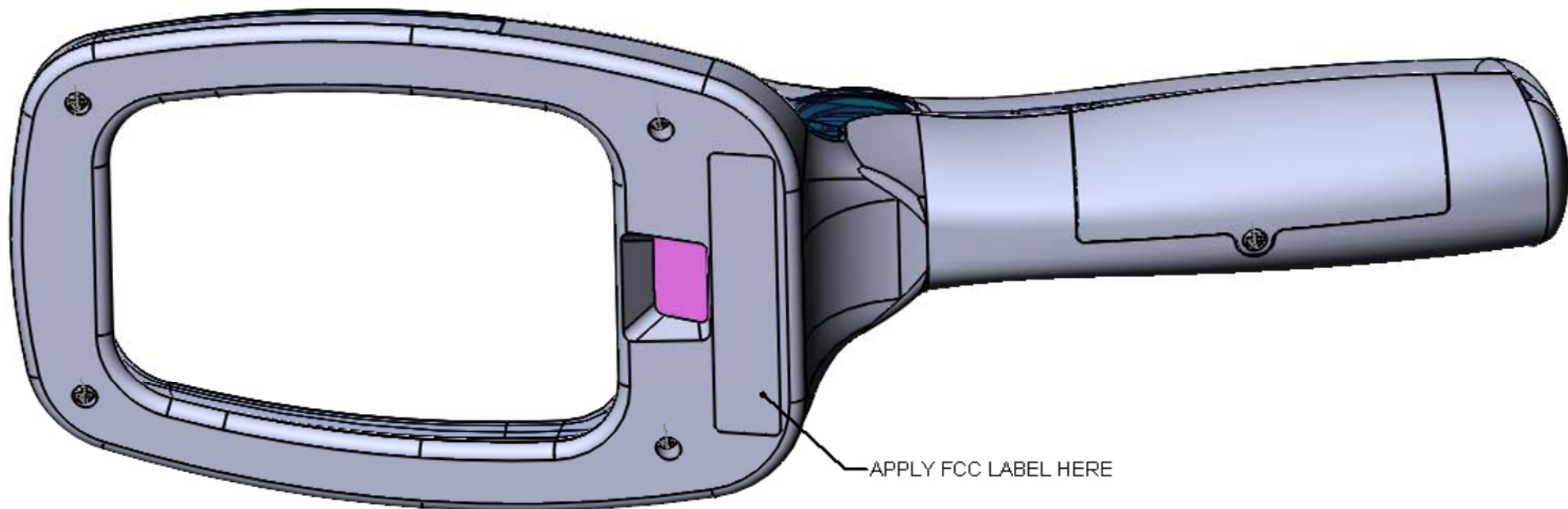
A

4

3

2

1



APPLY FCC LABEL HERE