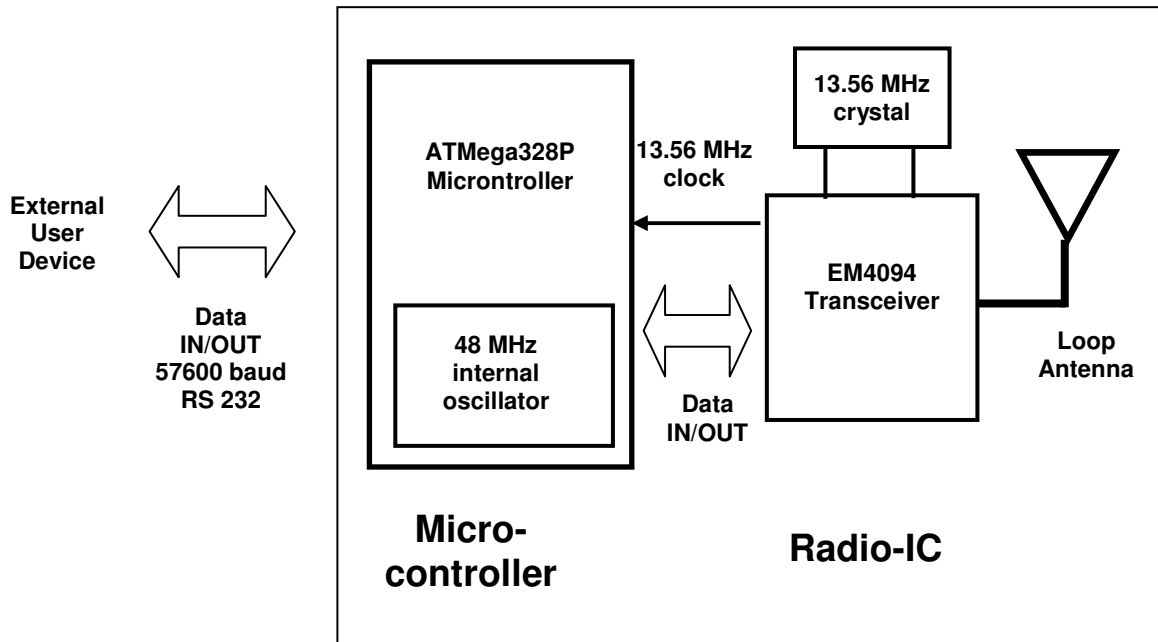


Circuit Block Diagram

Manufacturer: TagSense, Inc.

Manufacturer part number: Micro-1356



Circuit Description:

This device is a reader/writer for RFID tags. (Radio Frequency Identification).

Data commands are sent to an external RFID tag via AM modulation of the 13.56 MHz carrier, and the RFID tag responds through passive load modulation of the 13.56 MHz carrier.

Since the RFID tag (not shown) is powered by the electromagnetic field produced by the reader device, and the RFID tag does not generate any radio power of its own, the carrier (13.56 MHz) must be left on while the RFID tag responds with data.

The EM Microelectronics transceiver IC is used and controlled by the Atmel microcontroller (ATMEGA168 or ATMEGA328P). For interfacing to a PC, serial communication is used.