

Trapmate Mini Installation & User Manual

Please setup and register the Skyhawk Hub BEFORE using this device!

In order to receive alerts from your Trapmate Mini device, it must be used in conjunction with your Skyhawk Hub (sold separately) and the Skyhawk CE smartphone app.

See the Skyhawk Hub user manual for additional information on connecting your devices.

Index:

Introduction	3
Layout Summary.....	4 - 7
Installation	8 - 11
Start-Up Operation	12
Shut-Down Operation/Reset Operation.....	13
Battery Replacement	14 - 16
LED Indicators & Sensitivity Adjustment.....	17
Safety, FCC and Warranty.....	18 - 19

In order to receive alerts from your Trapmate Mini device, it must be used in conjunction with your Skyhawk Hub (sold separately) and the Skyhawk CE smartphone app.

See the Skyhawk Hub user manual for additional information on connecting your devices.

Unpacking and Inspection:

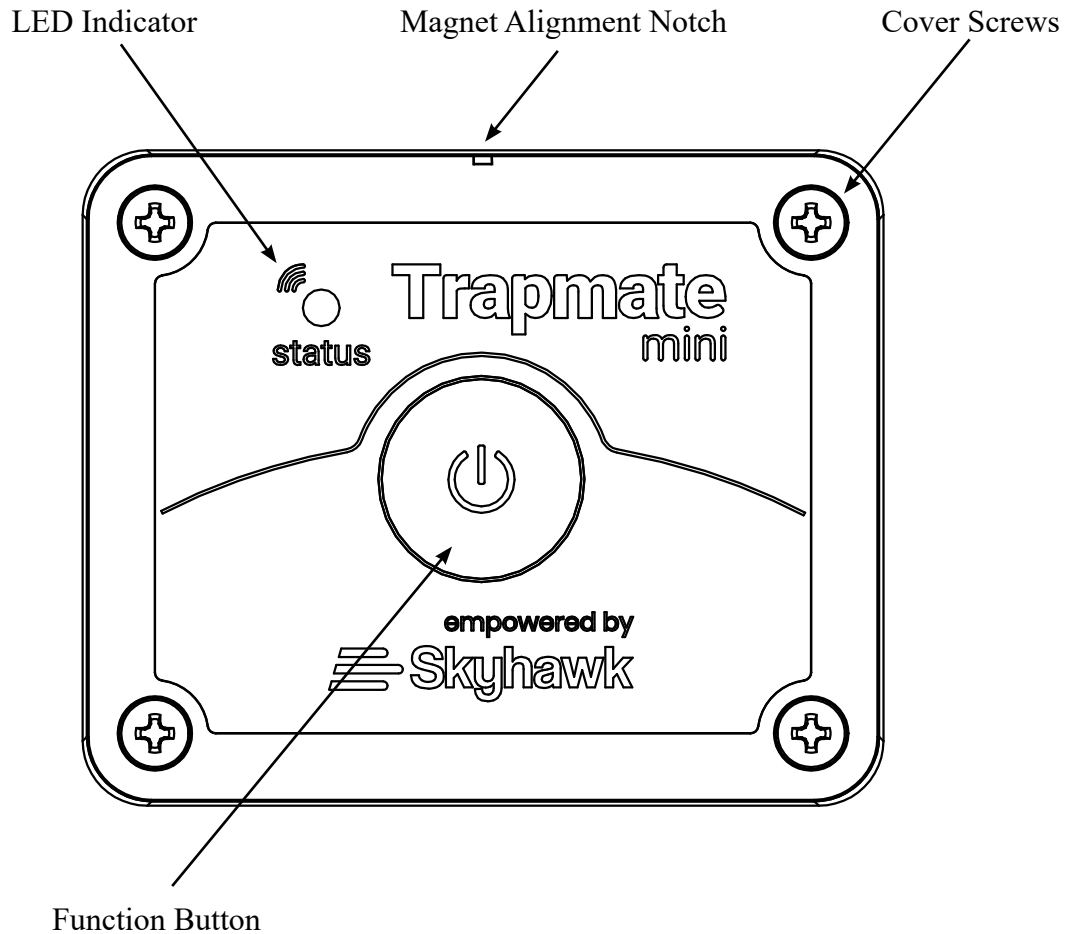
Before you begin installation, unpack and verify you have all the correct parts.

- (1) Skyhawk Trapmate Mini
- (2) AAA Alkaline Batteries (pre-installed)
- (1) Pull Magnet Kit
- (4) Self-Stick Mounting Magnets
- (8) Tacky Puddy
- (1) Quickstart guide
- (1) Warranty card

If you are missing any of these parts STOP, make sure you have your unit's serial number and request a replacement on sky-hawk.com/warranty.

Trapmate Mini Layout Summary:

Front of Unit

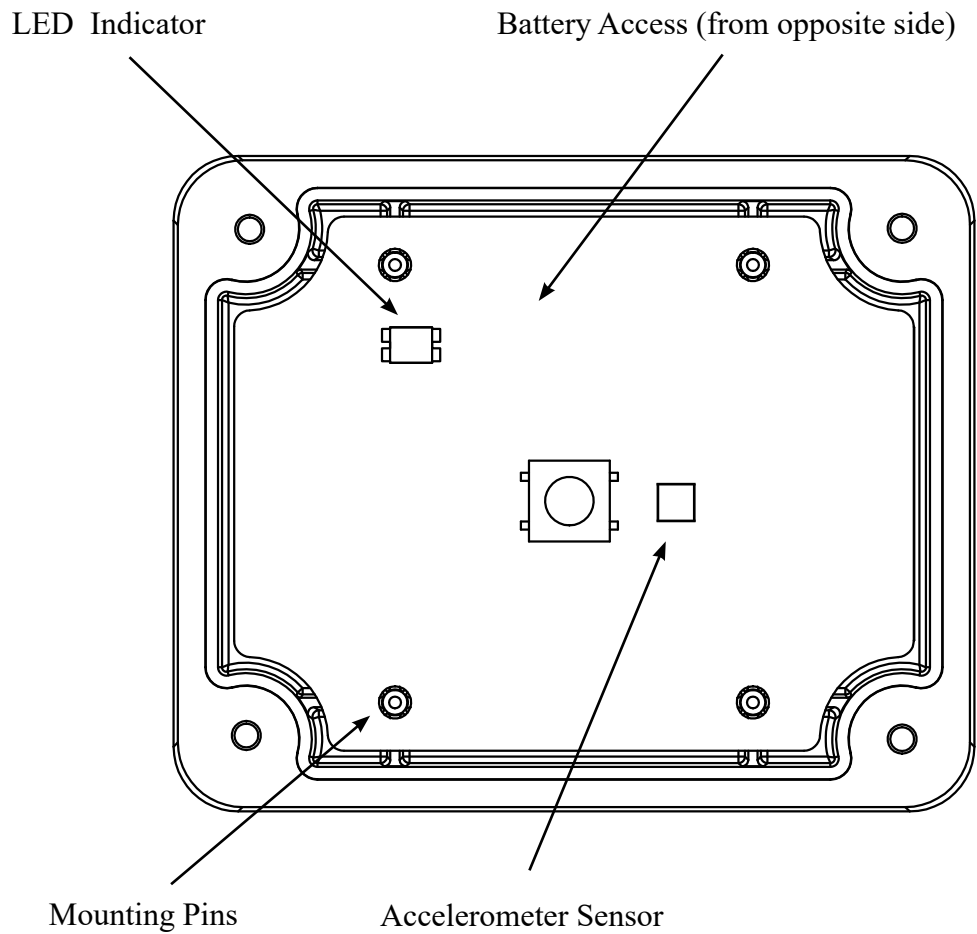


LED Indicator - This multicolored LED indicator will indicate when the Trapmate Mini is powering on or off, has been triggered or is acknowledging a transmission. More details on the indicator colors can be found on page 17.

Function Button - This multi-use button can be used for various functions. See pages 12 and 13 for more details.

Magnet Alignment Notch - This notch shows the center alignment position of the reed switch magnet.

Top of Circuit Card (cover removed)

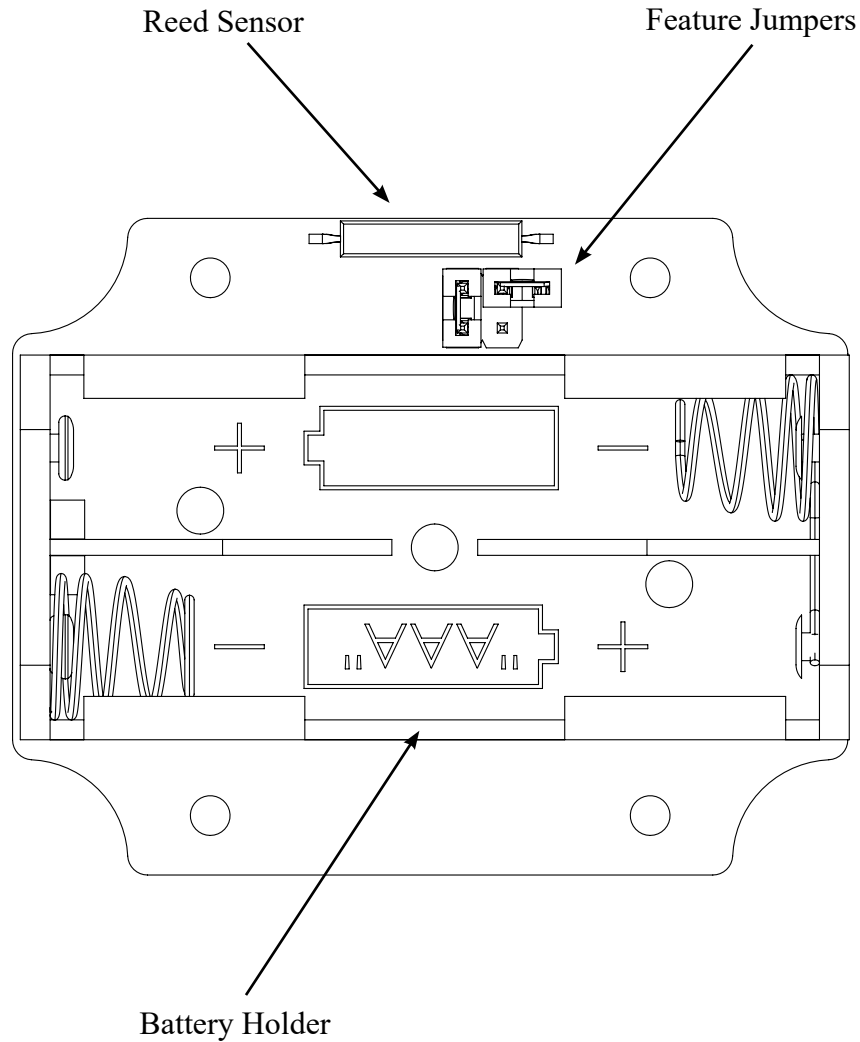


Mounting Pins - Once the case is opened the circuit board rests on top of four plastic mounting pins.

Accelerometer Sensor - Used to sense sudden movement or vibration of the monitored item.

Battery Access - The board can be removed to access the battery holder on the opposite side of the circuit card.

Bottom of Circuit Card (circuit card removed from case)



Reed Sensor - Used to sense the removal of the supplied pull magnet.

Feature Jumpers - These jumpers allow user-configurable features to be turned ON and OFF. **The default position of the jumpers is shown in the image.**

Battery Holder - The battery holder accommodates 2 x AAA batteries. It is required that 1.5 volt alkaline batteries are used for expected life.

Trapmate Mini User-Configurable Features:

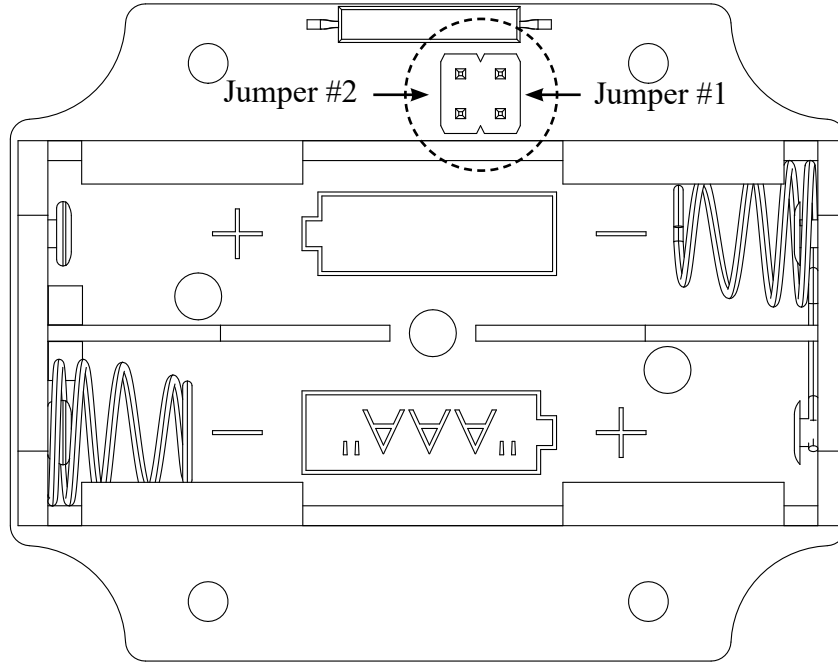
The Trapmate Mini has two feature jumpers:

Jumper #1 - Not Used

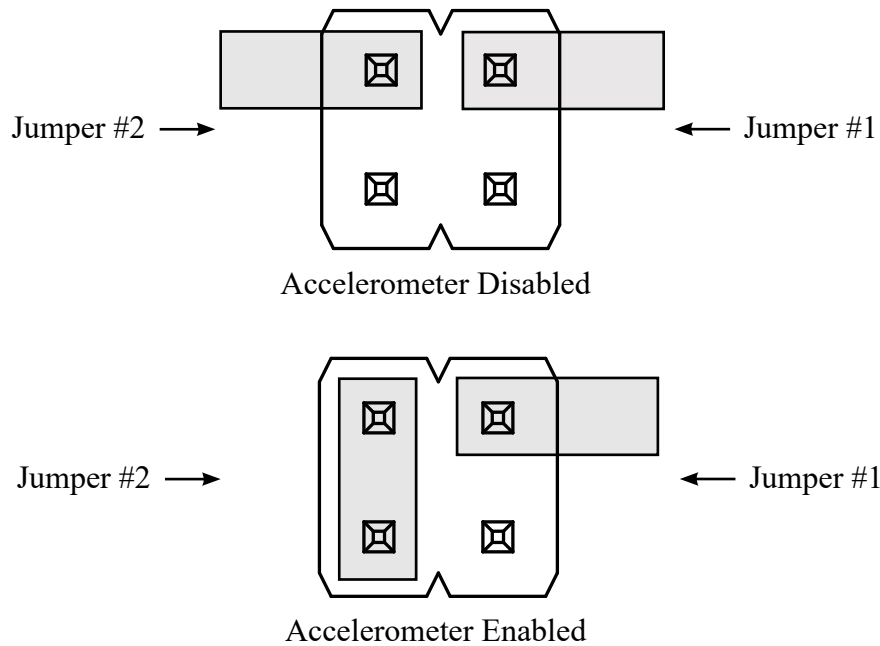
Jumper #2 - Used to enable or disable the accelerometer sensor

Step 1: Open case as outlined in the **Battery Replacement** section of this manual and remove batteries.

Step 2: Remove circuit card from case and locate configuration header as shown below in the dashed circle.



Step 3: Move jumpers to configure settings (if different from the factory default settings).



Step 4: Install batteries and close case as outlined in the **Battery Replacement** section of this manual.

Trapmate Mini Installation:

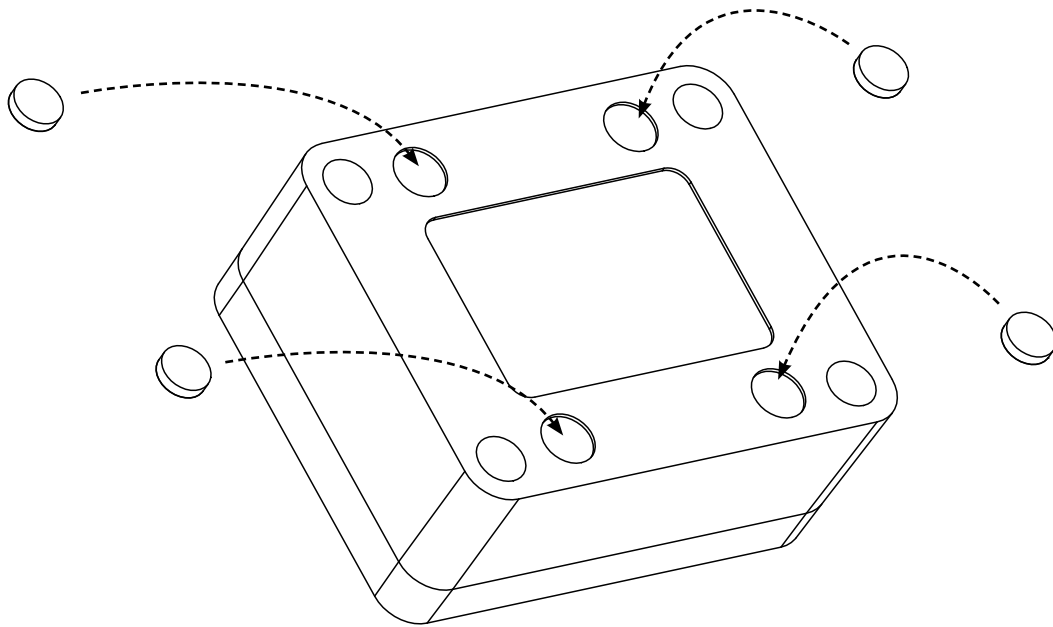
The Trapmate Mini can be installed using various methods including, but not limited to, the following two examples using the supplied mounting accessories:

Method 1 : Self-Stick Mounting Magnets

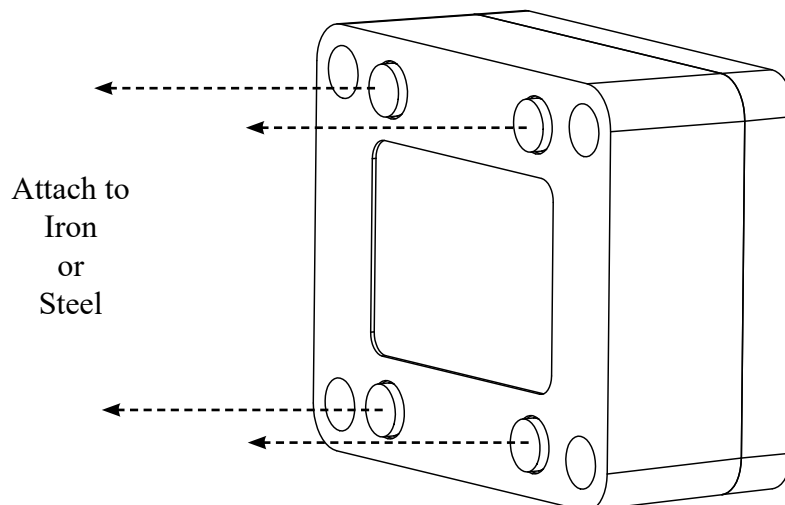
Step 1: In the accessory kit, locate the four self-stick mounting magnets.

Step 2: Clean the four circular recessed areas on the back of the Trapmate Mini with 70% isopropyl alcohol for proper bonding of the magnets.

Step 3: Peel off the adhesive backing paper on the magnets and affix them to the circular recessed areas cleaned in Step 2.



Step 4: The Trapmate Mini is ready to be mounted. Make sure the area where the Trapmate Mini will be attached is ferrous, iron or steel.



Trapmate Mini Installation:

Method 2 : Tacky Puddy

Step 1: In the accessory kit, locate the tacky puddy strip.

Step 2: Tacky puddy can be attached to the bottom or sides of the Trapmate Mini. It is recommended that the tacky puddy pieces are not attached to the top of the unit since that would limit visibility to the LED indicator and function button.

Step 3: Attach to the object being monitored.



Tacky puddy can damage some surfaces.

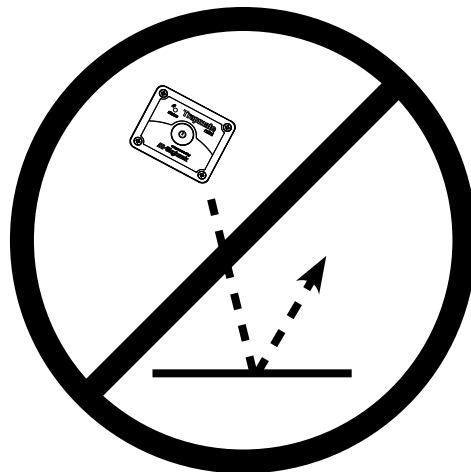
Installation - Safety Guidelines:

Make sure when placing the Trapmate Mini on an object that it is securely attached and cannot fall off and injure someone or fall onto a hard surface and damage the unit.

Make sure that when placing the Trapmate Mini that it will not interfere with other equipment.



Prevent Falling Hazard

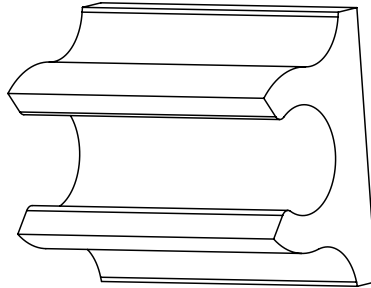


Prevent Unit Fall Damage

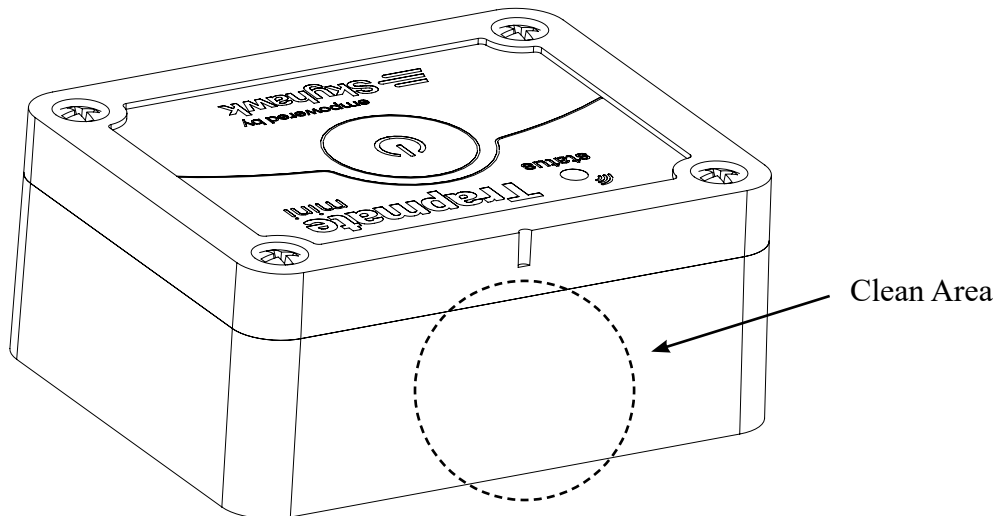
Trapmate Mini Pull-Magnet Installation:

The Trapmate Mini is supplied with a pull-magnet kit for users who choose to use the reed switch option.

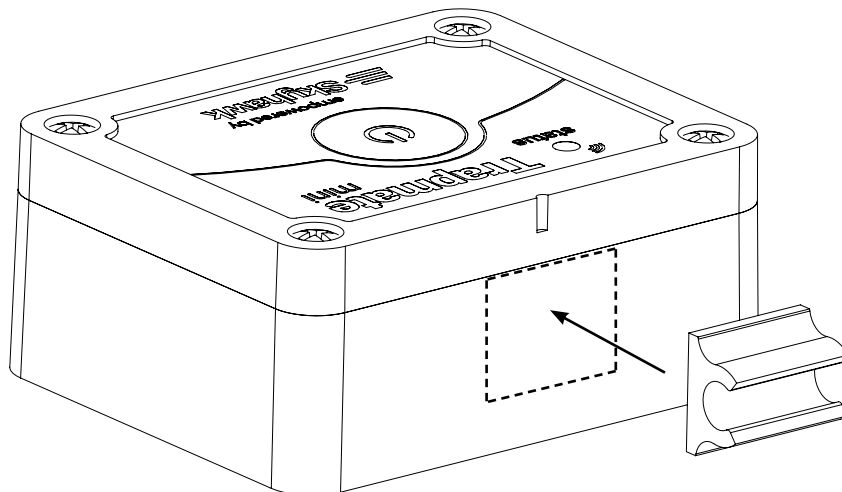
Step 1: Locate the pull-magnet kit and take out the magnet mount while setting the other items off to the side.



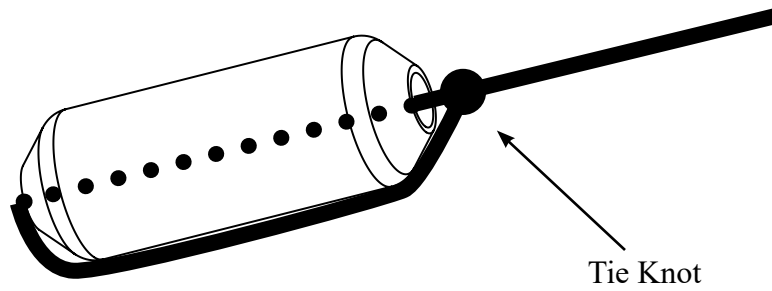
Step 2: On the back edge of the cover there will be small notch that shows the reed switch centering location. Clean this area below the notch with 70% isopropyl alcohol for proper bonding of the mount.



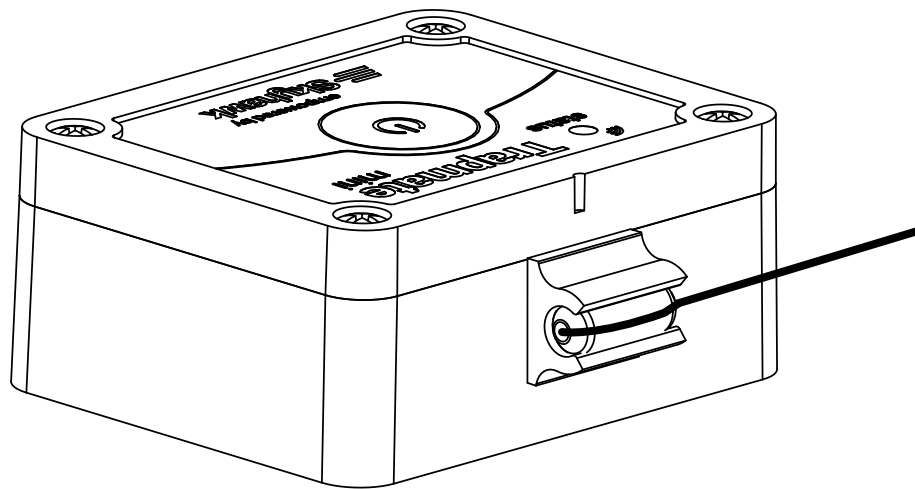
Step 3: Peel the backing off the magnet mount and affix to rear of case as shown. The mount should be centered on the notch and just below the seam of the top and bottom of the case.



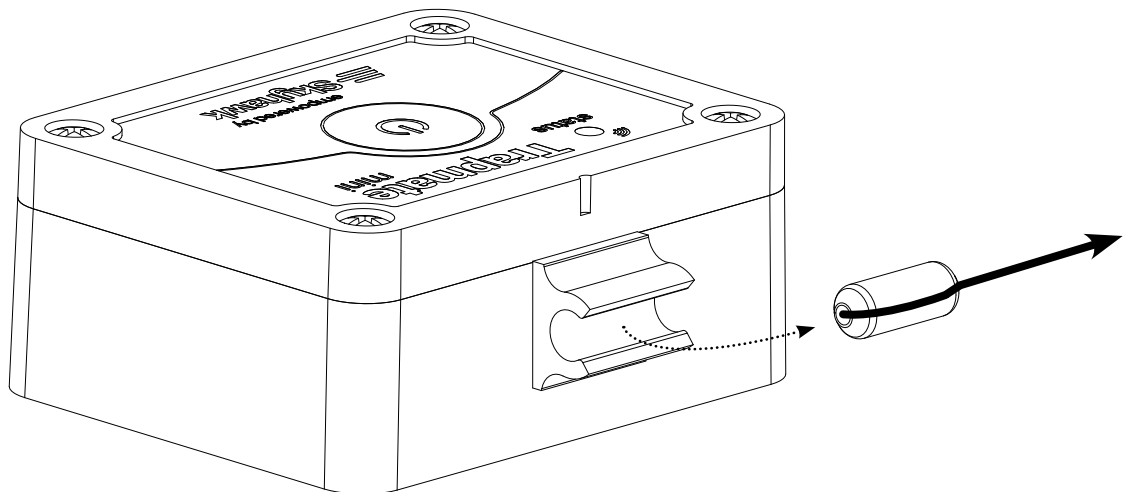
Step 4: Locate the magnet and filament line from the kit. Run the line through the magnet and back around and tie a double knot. Note: Tying a knot at the end is not suggested since it could pull through the magnet.



Step 5: Snap the magnet into the holder on the Trapmate Mini.



Step 6: Tie the other end of filament line to the object being monitored, such as a door or trap; making sure that when tripped, the line will pull easily from the magnet mount on the Trapmate Mini.

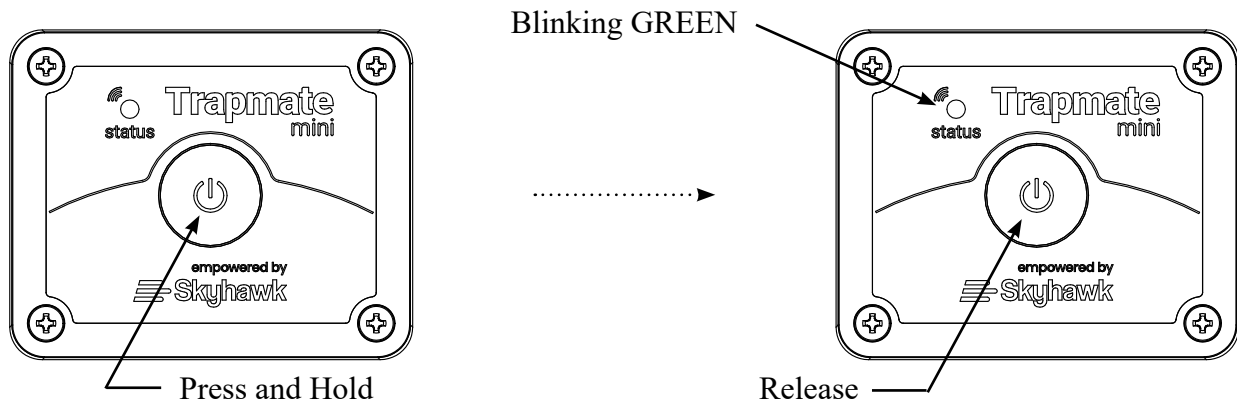


Trapmate Mini Start-Up Operation:

Before moving forward with the unit operation you must download the Skyhawk CE app onto your smart device and sign up for an account.

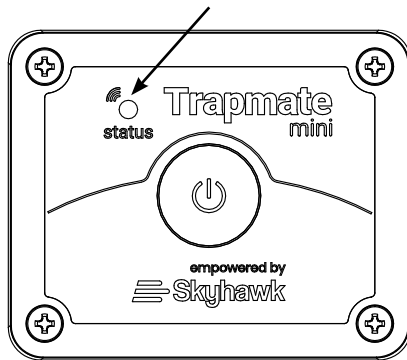
Step 1: Download and install the Skyhawk CE app from the Apple or Google Play store onto your compatible smart device. Go to sky-hawk.com for more detailed information on which devices are supported.

Step 2: Power ON the Trapmate Mini by pressing and holding the function button; release when the GREEN LED starts blinking. The unit will continue to power ON by flashing the GREEN LED five times.

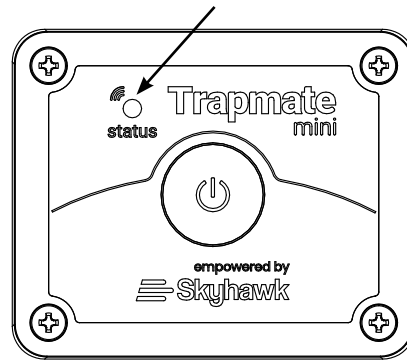


Step 3: After unit is powered up, it will automatically send a power ON alert to the Skyhawk HUB that will in turn send an acknowledgement back to the Trapmate Mini. The acknowledgment on the Trapmate Mini will be indicated by a rapid flashing GREEN LED for 5 seconds. Additionally, the sensor status information is sent to the Skyhawk CE app via the cellular network. This initial trigger can take a minute or two and will verify connectivity between all the parts in the system. If the acknowledgement is a rapid flashing RED LED for 5 seconds, then the sensor could be out-of-range from the HUB. If out of range power OFF the device then go back to *Step 2*.

Rapid flashing GREEN for 5s



Rapid flashing RED for 5s



Step 4: The unit now automatically goes into armed mode. Whenever the unit is moved beyond the set sensitivity or the reed switch is activated by a magnet pull from the holder, then it will be triggered. This triggered information is sent to the Skyhawk CE application via the Skyhawk HUB's cellular connection. When the unit is triggered the LED will blink GREEN twice.

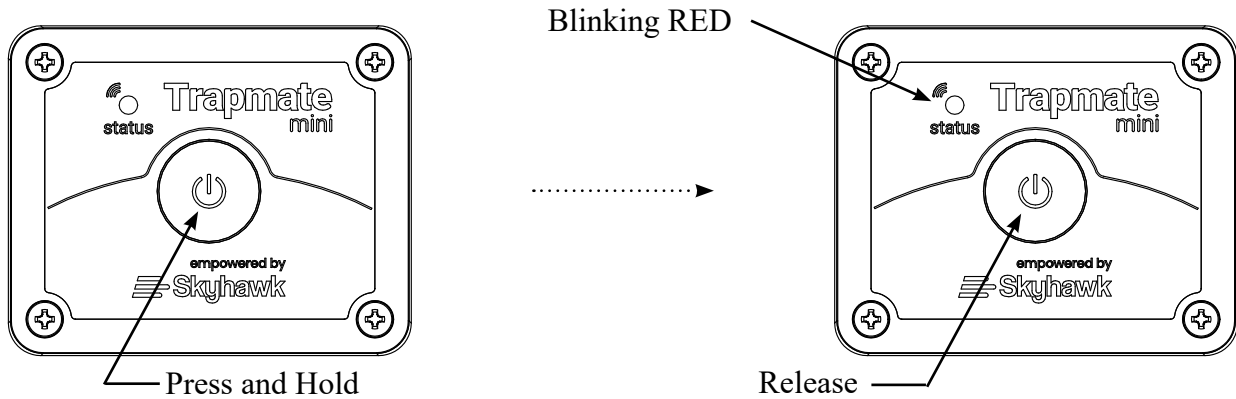
Step 5: Unit returns to sleep and has a 60 second back-off until the unit can be triggered again.

Trapmate Mini Shut-Down Operation:

When the Trapmate Mini is not going to be used for more than a few weeks it should be powered down to conserve battery life.

Step 1: Power OFF the Trapmate Mini by pressing and holding the function button; release when the RED LED starts blinking. The unit will continue to power OFF by flashing the RED LED five times.

Step 2: During the power down process (while the LED is blinking RED) the unit will send an alert to make sure that the registered owner of the device is notified the Skyhawk Trapmate Mini is going off-line.

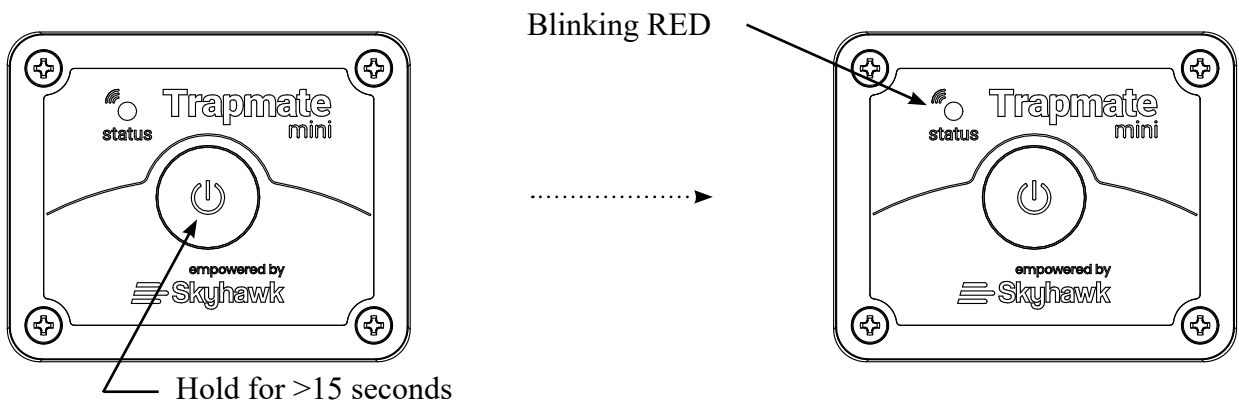


Trapmate Mini Reset Operation:

The Trapmate Mini has the ability to be reset back to default settings.

Step 1: Press and HOLD the button for more than 15 seconds.

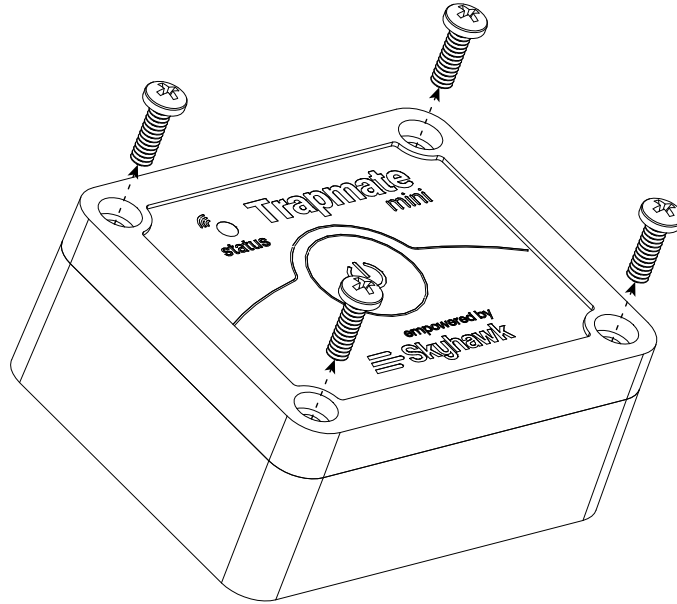
Step 2: The LED will begin to rapidly blink RED, release button.



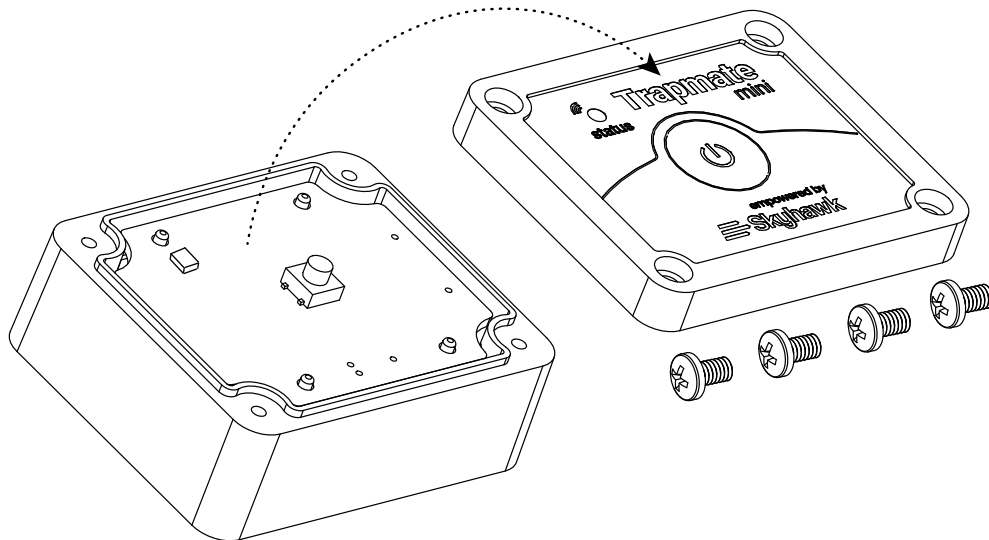
Trapmate Mini Battery Replacement:

The Trapmate Mini comes with two AAA 1.5 volt alkaline batteries already installed. Depending upon use, it may take several years before the batteries need to be replaced. When they are replaced it is suggested to use a high quality name brand AAA alkaline battery like an Energizer or Duracell. Follow the instructions below to replace these batteries.

Step 1: Remove the cover screws of the Trapmate Mini using a Phillips screwdriver. Make sure to turn the screws counterclockwise.

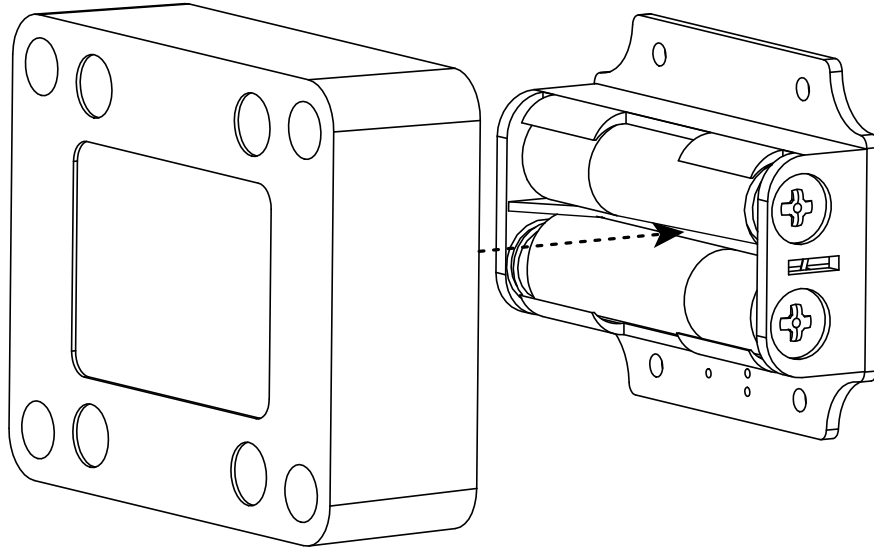


Step 2: Remove the front cover. There will be a gasket holding the unit together so it might take a bit of force to separate the cover from the enclosure.

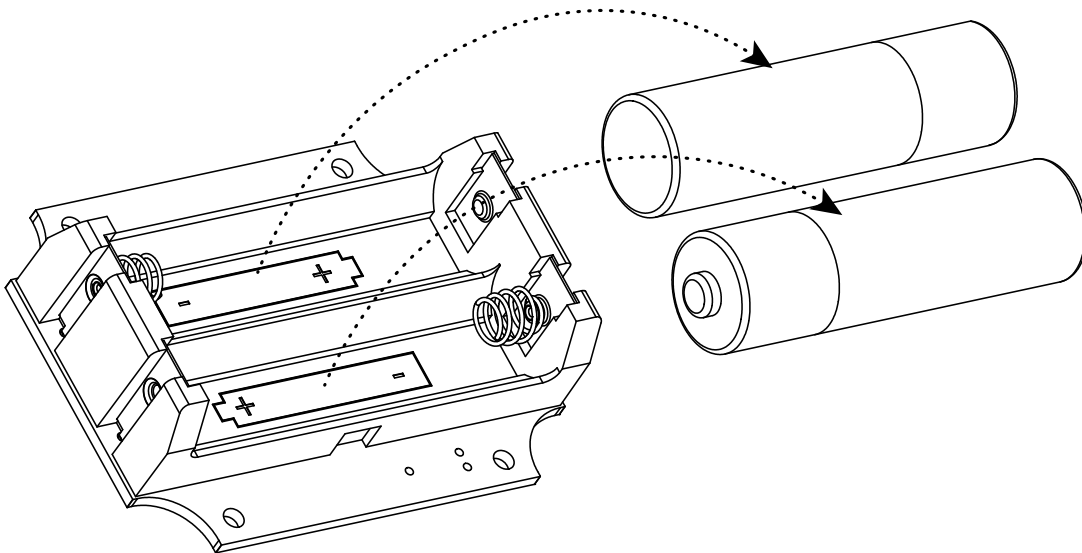


Trapmate Mini Battery Replacement (continued):

Step 3: Remove the PC card with attached battery holder from the enclosure. This can easily be done by turning the unit over and allowing the battery holder to fall into your hand.

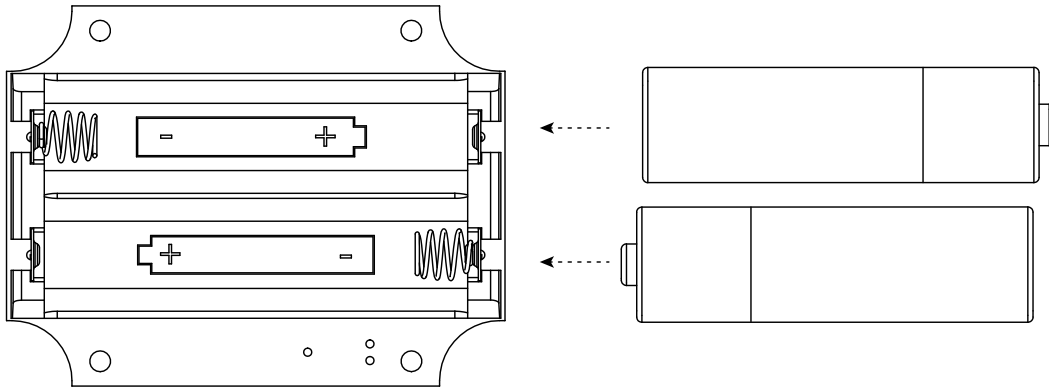


Step 4: Remove and dispose of the old batteries properly.

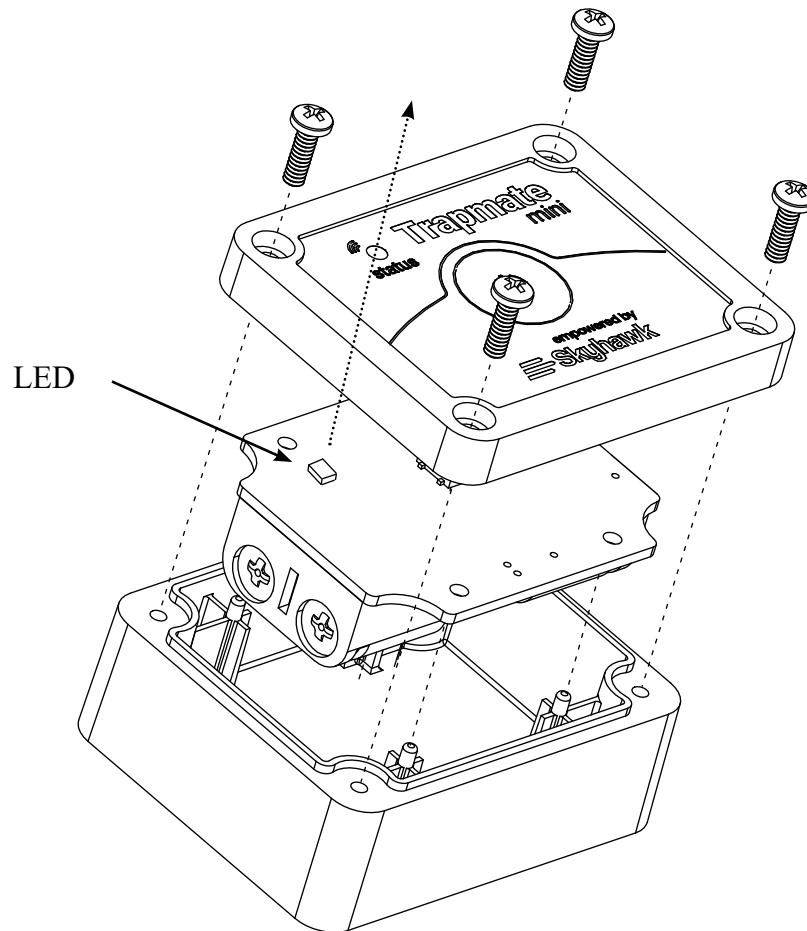


Trapmate Mini Battery Replacement (continued):

Step 5: Insert new batteries taking note of the direction symbols.



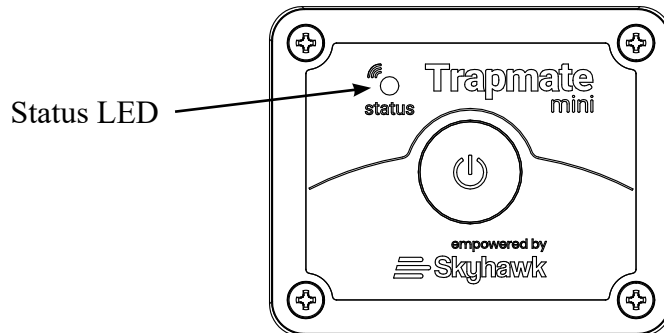
Step 6: Replace PC card with attached battery holder by aligning holes to the mounting pins in the enclosure. Replace cover making sure to align LED indicator on the cover to the LED on the PC Card (take note of image below for details). Replace cover screws. Turn screws clockwise making sure not to overtighten.



Trapmate Mini LED Indicators:

The Trapmate Mini is equipped with a multi-color LED indicator for feedback status to the user.

Below is a chart of the status indicators:



Power Up w/Acknowledgement (PASS)----->	Blinking GREEN LED five times, pause, rapid flashing GREEN 5s
Power Up w/Acknowledgement (FAIL)----->	Blinking GREEN LED five times, pause, rapid flashing RED 5s
Power Down ----->	Blinking RED LED five times
Trigger ----->	Blinking GREEN LED two times
Reset ----->	Fast Blinking RED LED

While unit is **ON** and not being triggered a status LED will flash GREEN every **10 seconds**.

Trapmate Mini Accelerometer Sensitivity Adjustment:

When the unit is ON, hold the function button for 3-6 seconds until the blinking RED LED changes to a RED & GREEN alternating pattern. Once in program mode, push the button (slowly, press for about 1 second then release). The GREEN LED will flash for each button click in program mode. Click the button 1-10 times and then let the unit sit for 10 seconds. The GREEN LED will then flash X number of times to indicate how many clicks were processed and set as the new sensitivity setting. The unit then will perform a connection back to the Skyhawk HUB that will report the new setting to the Skyhawk CE application.

Accelerometer Sensitivity Note:

Sensors are shipped with a *default maximum sensitivity of 10*, unless otherwise noted. This will help ensure activation in multi-catch deployments or snap trap deployments inside cardboard boxes or rodent stations. High sensitivity can lead to false alerts from external environmental factors such as rain, hail or extraneous vibrations. If false alerts arise, the vibration sensitivity can be reduced using the procedure above. The sensor can also be used in reed switch(magnet pull)mode to detect physical displacement from snap trap closures. Using both sensors can be a useful deployment in live animal trap cage deployments. The cage door closing event can be positively monitored with the reed switch sensor through a magnet pull. Animal captures can be confirmed with a high sensitivity vibration setting to confirm the animal capture. Vibrations alerts that are not preceded by a door closure alert can be disregarded.

IMPORTANT SAFETY INFORMATION

USE RESTRICTIONS AND NOTICES FOR SKYHAWK TRAPMATE MINI

SAFETY AND USE RESTRICTIONS

DO NOT USE SKYHAWK TRAPMATE MINI :

- IN PLACE OF A LIFE SAFETY DEVICE.
- FOR MEDICAL MONITORING.
- IN A MANNER THAT VIOLATES ANY FEDERAL, STATE, LOCAL, ADMINISTRATIVE OR OTHER LAW, REGULATION, OR ORDINANCE, INCLUDING BUT NOT LIMITED TO GOVERNANCE OF CRIMINAL OR ILLEGAL ACTIVITY, DATA PRIVACY AND SECURITY, HEALTH AND SAFETY, ANIMAL WELFARE AND/OR WILDLIFE TRAPPING.

DO NOT ATTACH SKYHAWK TRAPMATE MINI DIRECTLY TO A LIFE SAFETY OR MEDICAL MONITORING DEVICE.

DO NOT PLACE OR POSITION SKYHAWK TRAPMATE MINI WHERE IT COULD INTERFERE WITH SAFE OPERATION AND FUNCTIONALITY OF LIFE SAFETY, MEDICAL MONITORING OR OTHER EQUIPMENT.

BATTERIES:

The Skyhawk Trapmate Mini uses hermetically sealed alkaline batteries. Under normal conditions of use, alkaline batteries are non-toxic and are not hazardous waste per the United States Resource Conservation and Recovery Act (RCRA) - 40 CFR Part 261 Subpart C. Dispose of in accordance with all applicable federal, state and local regulations.

WARNING: BATTERIES CAN EXPLODE OR LEAK AND CAUSE BURNS IF INSTALLED BACKWARDS, DISASSEMBLED, CHARGED, OR EXPOSED TO WATER, FIRE OR HIGH TEMPERATURE. EXPOSURE TO THE INGREDIENTS CONTAINED WITHIN OR THEIR COMBUSTION PRODUCTS COULD BE HARMFUL.

IMPORTANT NOTICE:

The Skyhawk Trapmate Mini uses a 3rd-party Wireless Service which uses radio technologies and is subject to transmission and service area limitations, which may include interruptions and dropped connections caused by atmospheric, topographical or environmental conditions, cell site availability, cellular network equipment or its installation, governmental regulations, system limitations, maintenance or other conditions or activities affecting the operation of the Wireless Service. The Wireless Service and/or features may not be available in all areas. For more information, visit sky-hawk.com.

FCC AND COMPLIANCE

This device complies with Part 15 of the FCC Rules

Operation is subject to the following conditions:

1. This device may not cause harmful interference, and
2. This device must accept any interference received, including interference that may cause undesired operation

RADIO AND TELEVISION INTERFERENCE: This equipment has been tested and found to comply with the limits, pursuant to Part 15 of the FCC rules. These limits are designed to provide reasonable protection against harmful interference in a residential installation. This equipment generates, uses and can radiate radio frequency energy and, if not installed and used in accordance with the instructions, may cause harmful interference to radio communications. However, there is no guarantee that interference will not occur in a particular installation. If this equipment does cause harmful interference to radio or television reception, which can be determined by turning the equipment off and on, the user is encouraged to try to correct the interference by one or more of the following measures:

- Reorient or relocate the receiving antenna.
- Increase the separation between the equipment and the receiver.
- Connect the equipment into an outlet on a circuit different from that to which the receiver is connected.
- Consult the dealer or an experienced radio/TV technician for help.

Changes and Modifications not expressly approved by the manufacturer or registrant of this equipment can void your authority to operate this equipment under Federal Communications Commissions rules.

IC ES 003 : This Class B digital apparatus complies with Canadian ICES-003 Cet appareil numérique de la classe B est conforme à la norme NMB-003 du Canada.

LIMITED WARRANTY ON SKYHAWK TRAPMATE MINI

THIS LIMITED WARRANTY GIVES YOU SPECIFIC LEGAL RIGHTS AND YOU MAY ALSO HAVE OTHER RIGHTS, WHICH VARY BY STATE, PROVINCE, OR JURISDICTION. THE LIMITED WARRANTY CAN ALSO BE FOUND ONLINE AT SKY-HAWK.COM/WARRANTY AND IN THE DOCUMENTATION WE PROVIDE WITH THE PRODUCT. WE WARRANT THAT DURING THE WARRANTY PERIOD, THE PRODUCT WILL BE FREE FROM DEFECTS IN MATERIALS AND WORKMANSHIP. WE LIMIT THE DURATION AND REMEDIES OF ALL IMPLIED WARRANTIES, INCLUDING WITHOUT LIMITATION THE WARRANTIES OF MERCHANTABILITY AND FITNESS FOR A PARTICULAR PURPOSE TO THE DURATION OF THIS EXPRESS LIMITED WARRANTY. SOME STATES DO NOT ALLOW LIMITATIONS ON HOW LONG AN IMPLIED WARRANTY LASTS, SO THE ABOVE LIMITATION MAY NOT APPLY TO YOU. OUR RESPONSIBILITY FOR DEFECTIVE GOODS IS LIMITED TO REPAIR OR REPLACEMENT AS DESCRIBED BELOW IN THIS WARRANTY STATEMENT.

WHO MAY USE THIS WARRANTY?

Pica Product Development, LLC located at address 4 Ash Street Extension, Derry, NH 03038 (“we”/ “our”) extend this limited warranty only to the consumer who originally purchased the Product (“you”/ “your”). It does not extend to any subsequent owner or other transferee of the Product.

WHAT DOES THIS WARRANTY COVER?

This limited warranty covers defects in materials and workmanship of the SKYHAWK TRAPMATE MINI (the “Product”) for the Warranty Period as defined below.

WHAT DOES THIS WARRANTY NOT COVER?

This limited warranty does not cover any damage due to: (a) transportation; (b) storage; (c) improper use; (d) failure to follow the Product instructions or to perform any preventive maintenance; (e) modifications; (f) unauthorized repair; (g) normal wear and tear; or (h) external causes such as accidents, abuse, or other actions or events beyond our reasonable control. IN THE EVENT THAT THE PRODUCT SERIAL NUMBER IS MISSING OR HAS BEEN ALTERED IN ANY WAY, THIS LIMITED WARRANTY IS VOID AND WITHOUT EFFECT AND PICA PRODUCT DEVELOPMENT, LLC SHALL HAVE NO LIABILITY WHATSOEVER FOR DEFECTS OF SUCH PRODUCT.

WHAT IS THE PERIOD OF COVERAGE?

This limited warranty starts on the date of your purchase and lasts for ONE (1) YEAR, or as long as the product is owned by the original purchase, whichever time period first occurs (the “Warranty Period”). The Warranty Period is not extended if we repair or replace the Product. We may change the availability of this limited warranty at our discretion, but any changes will not be retroactive.

WHAT ARE YOUR REMEDIES UNDER THIS WARRANTY?

With respect to any defective Product during the Warranty Period, we will, in our sole discretion repair or replace such Product (or the defective part) free of charge. We will also pay for shipping and handling fees to return the repaired or replacement Product to you.

HOW DO YOU OBTAIN WARRANTY SERVICE?

To obtain warranty service, you must call 1-800-760-3966 or E-mail our Customer Service Department at support@sky-hawk.com or provide written notice to PICA Product Development, LLC of any defective part or conditions during the Warranty Period to obtain a Return Merchandise Authorization (“RMA”) number. No warranty service will be provided without an RMA number. You may, at our discretion, be required to return the Product or provide other proof of defect. When required to return the Product, you will be provided with shipping instructions and proof of purchase must accompany shipment. You are responsible for all shipping and handling charges in connection with performance of this limited warranty. For additional RMA process details go to sky-hawk.com/warranty.

LIMITATION OF LIABILITY

THE REMEDIES DESCRIBED ABOVE ARE YOUR SOLE AND EXCLUSIVE REMEDIES AND OUR ENTIRE LIABILITY FOR ANY BREACH OF THIS LIMITED WARRANTY. OUR LIABILITY SHALL UNDER NO CIRCUMSTANCES EXCEED THE ACTUAL AMOUNT PAID BY YOU FOR THE DEFECTIVE PRODUCT, NOR SHALL WE UNDER ANY CIRCUMSTANCES BE LIABLE FOR ANY CONSEQUENTIAL, INCIDENTAL, SPECIAL OR PUNITIVE DAMAGES OR LOSSES TO ANY PERSON OR PROPERTY ARISING OUT OF THE USE OR INABILITY TO USE THE PRODUCT INCLUDING, BUT NOT LIMITED TO, PERSONAL INJURY, WRONGFUL DEATH, PROPERTY DAMAGE, LOSS OF DATA, LOSS OF REVENUE OR PROFITS, BUSINESS INJURY, BUSINESS INTERRUPTION OR ANY OTHER DIRECT OR INDIRECT DAMAGES, EVEN IF PICA PRODUCT DEVELOPMENT, LLC HAS BEEN ADVISED OF THE POSSIBILITY OF SUCH DAMAGES.

SOME STATES DO NOT ALLOW THE EXCLUSION OR LIMITATION OF INCIDENTAL OR CONSEQUENTIAL DAMAGES, SO THE ABOVE LIMITATION OR EXCLUSION MAY NOT APPLY TO YOU.

THE TERMS OF THIS LIMITED WARRANTY WILL APPLY TO THE EXTENT PERMITTED BY APPLICABLE LAW. FOR A FULL DESCRIPTION OF YOUR LEGAL RIGHTS YOU SHOULD REFER TO THE LAWS APPLICABLE IN YOUR JURISDICTION.



PICA Product Development, LLC
4 Ash Street Extension - Unit 1
Derry, NH 03038

sky-hawk.com

Rev A8 - 8/21

Copyright © 2020 - 2021 by PICA Product Development, LLC.

All specifications are subject to change without notice.