

“SEGA NETWORK CASINO CLUB” IC CARD

The RFID unit is attached to the front of the cabinet close to where the player plays the game, as in the picture below. It is used to read and write information on IC Cards.

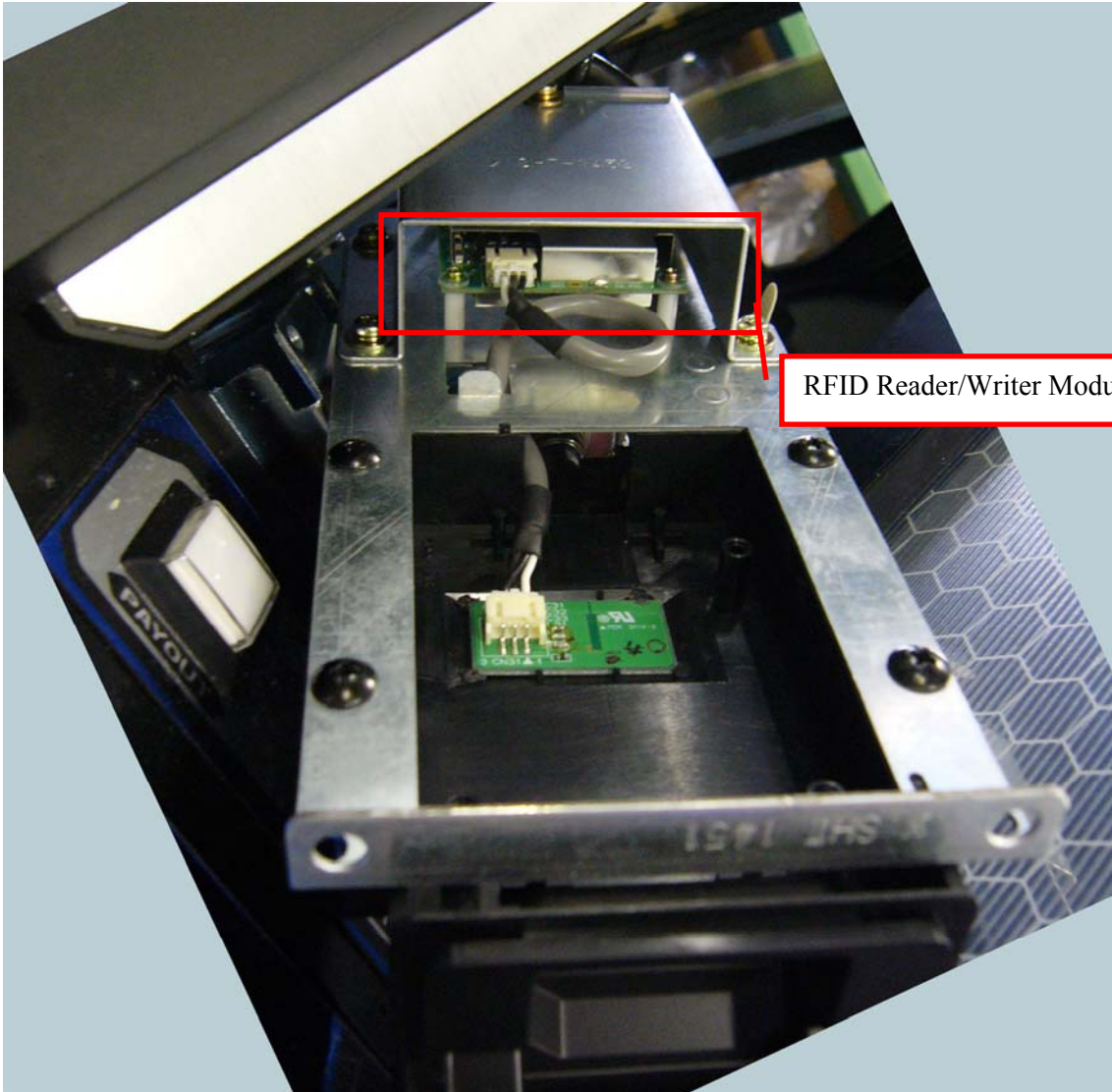
IC Cards contain information such as the names of game characters, clothing and accessory combinations, and game results.

(Although the information stored on the IC Card may vary depending on the game, the card's purpose remains the same)

[Reference... Sample cabinet]



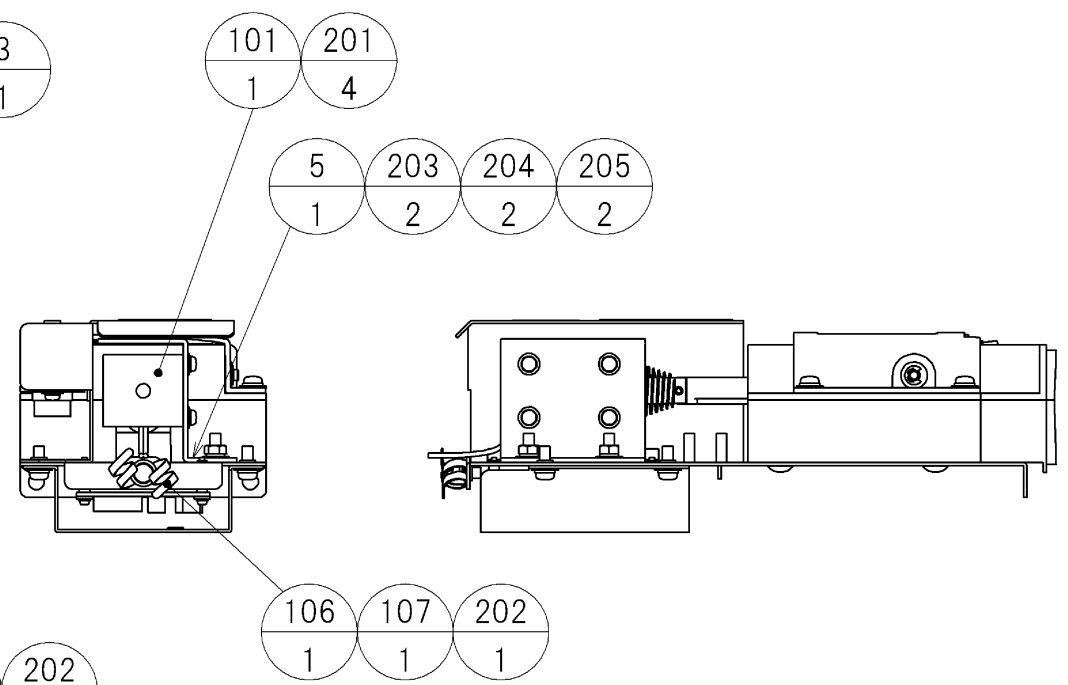
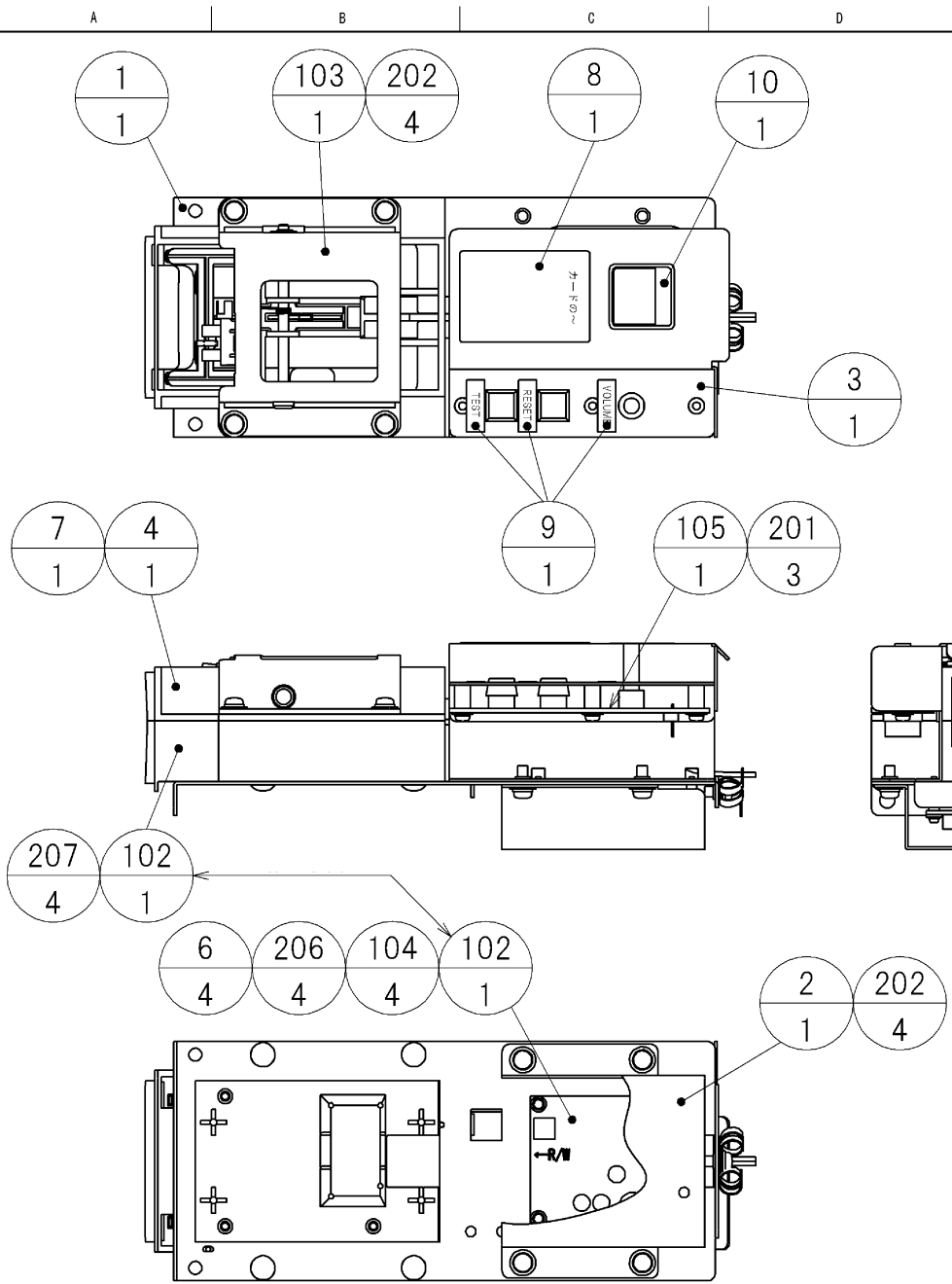




RFID Reader/Writer Module

MACHINE	機械名	SUB-ASS'Y	親図番
		SOC-1201	
ALTERATION		改訂	

SOC-1380 (1/X)



SEGA SEGA CORPORATION		THIS DRAWING WILL IN NO WAY BE COPIED, REPRODUCED OR TRANSMITTED IN ANY FORM OR BY ANY MEANS, WITHOUT THE WRITTEN PERMISSION OF SEGA CORPORATION.		許可なく複写複製等厳禁		ORIGINAL SIZE A3	
LIMITS UNLESS OTHERWISE SPECIFIED 一般公差		3RD QUAT. PROJ. DRAWING 第三角法	SCALE 尺度 1:2	設計・製図 寒川	検図 竹下	検認 山口(後)	承認 石井(誠)
		DIM. IN 単位 mm		07/07-'06	07/07-'06	07/07-'06	07/07-'06
MATERIAL 材料	HEAT TREAT. 熱処理	FINISH 表面処理	REMARK 特殊指示	REV.			
ASSY CARD RW			SOC-1380 (1/X)				
DESCRIPTION 名称			PART NO. 図番・部品番号				

A B C D E F G H

1
2
3
4
5
6

DN _o .	PART No	Q/U	DESCRIPTION
1	SOC-1381	1	RW BASE
2	SOC-1382	1	RW BD COVER
3	SOC-1383	1	TEST SW BRKT
4	SMT-1663X	1	RW GUIDE UPPER
5	SMT-1665	1	SOL BRKT
6	SMT-1668	4	FLT WSHR 2.6-6X1
7	CFB-1664	1	ROLLER
8	421-11871-91	1	STICKER IC CARD RECOVERY
9	421-12151	1	STICKER SW UNIT SV-R-T
10	440-WS0179-JP	1	STICKER W HI TEMP M
101	610-0690-01	*1	SOLENOID UNIT YL
102	610-0695-02	*1	ASSY IC CARD RW BD W/ANT ROHS
103	610-0749	*1	RW SENSOR UNIT
104	280-6638-10	4	SPACER TUBE M2 L=10
105	838-14548	1	SW & VOL BD
106	280-5208	1	HARNESS LUG CC-1007
107	280-5207	1	HARNESS LUG CC-1005
108	280-5275-SR10	5	CORD CLAMP SR10

ASSY CARD RW				
	SOC-1380			
名称	図番			

9 CARD R/W

[!] WARNING

- When working with the product, be sure to turn the power off. Working with the power on may cause an electric shock or short circuit.
- Be careful not to damage the wires. Damaged wires may cause an electric shock or short circuit.
- Be careful not to lose screws, nuts or other fasteners. If metallic fasteners come in contact with electrically charged areas, they may cause an electric shock, short circuit or present a risk of fire.

(STOP) IMPORTANT

- Be careful not to get your hands or fingers caught when opening or closing the card R/W cover.
- The solenoid on the RW unit can get hot. Exercise caution so as to avoid burns.

9-1 Cleaning

If the IC card is difficult to insert, or does not come out from the reader, the interior of the card reader may be dirty. Clean the card reader in such cases.

Please turn off the power switch before carrying out this procedure.

[!] WARNING

Observe the following points when cleaning so as not to damage component surfaces.

- Remove smears using a dry, soft cloth (flannel, etc.). Do not use coarse gauze, etc.
- For a smear-removing solvent, alcohol (ethanol) is recommended. When using chemical detergent, be sure to follow the instructions below:
 - Soak a soft cloth in a neutral household detergent diluted with water. Wring the cloth well then wipe down the surface.
 - Do not use bleach or detergent that contains abrasive agents.
 - Do not use alkaline chemical detergents such as "glass cleaner" or solvents such as thinner, etc.
- Do not scrape or scratch the surfaces using brushes, scouring pads or other coarse cleaning utensils.

1. Turn off power to the satellite.

2. Unlock the right side of the cabinet with the maintenance key and remove the card R/W cover. Pull the card R/W cover 5 mm toward you, and then pull at an angle to remove it. Make sure the cover does not come into contact with other surrounding parts at this time.

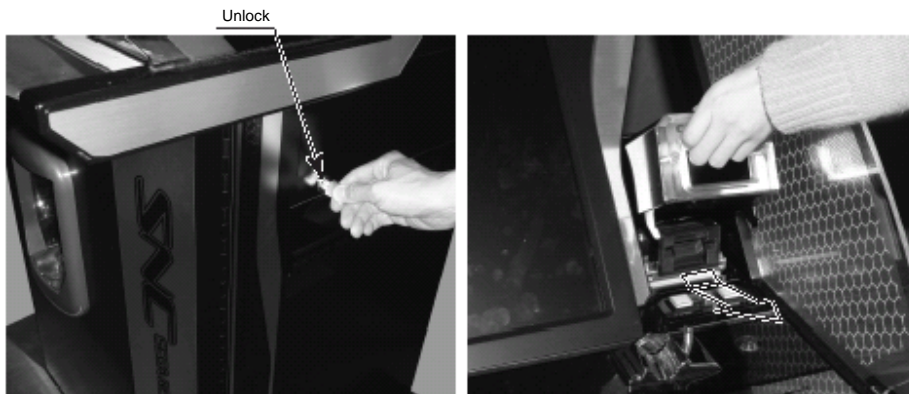


FIG.9-1a

3. Remove 2 screws, then disconnect 3 connectors while pulling the ASSY card R/W toward you. Be careful not to damage wiring at this time.

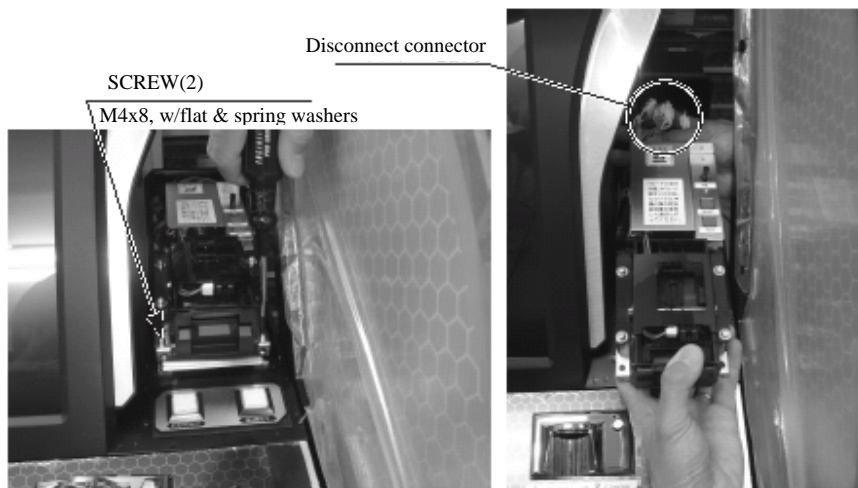


FIG.9.1b

4. Remove 4 screws and remove the RW guide upper.

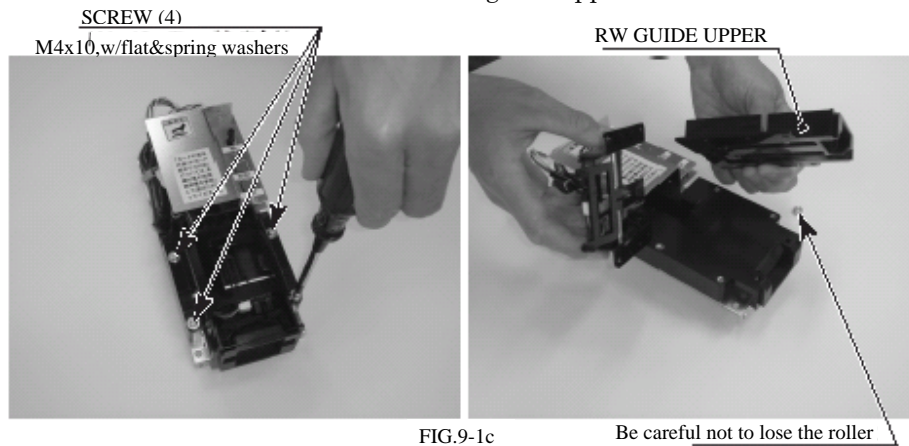


FIG.9-1c

Be careful not to lose the roller

5. Wipe off dirt from the surface which the IC Cards contact. If foreign objects get in, remove them. The roller is a small component. Be careful not to lose it or any of the screws.

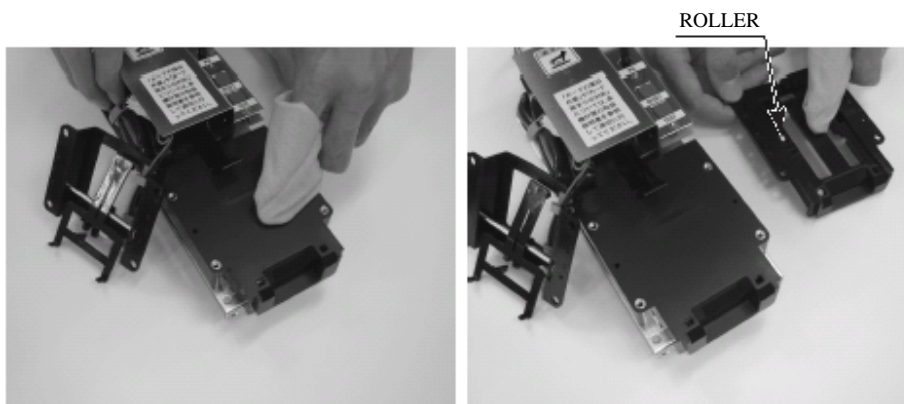


FIG. 9-1d

6. After wiping with a damp cloth, make sure that surfaces have dried adequately.

7. Reattach the RW guide upper. Attach RW guide upper so that the pushrod of RW guide lower is inserted into the hole of RW guide upper. Be careful not to lose the roller at this time.

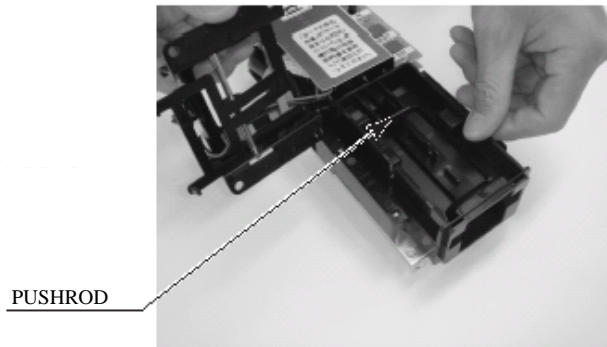


FIG.9-1e

8. Attach lock arm while checking the following points. After attaching, move the pushrod by hand and confirm that it moves normally. Also, check that the tabs go through the hole.

- Insert lock arm into pushrod underside.
- Suspend spring on rib.

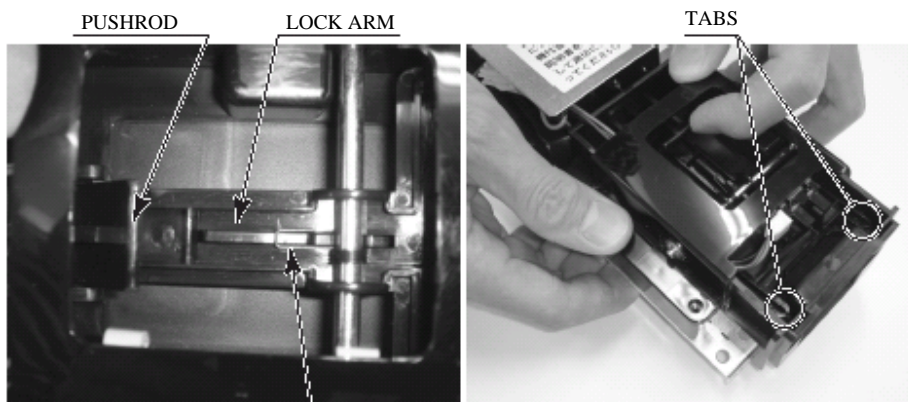


FIG.9-1f

9. Carry out the process described above in reverse order to reattach the ASSY card R/W to its original position, and then reattach the card R/W cover. Push the cover towards the rear surface, and then lock the cabinet.



FIG.9-1g

9-2 Dealing with jammed cards

If an IC card becomes stuck or jammed, push it out with your fingertip through the rectangular holes in the RW guide upper.

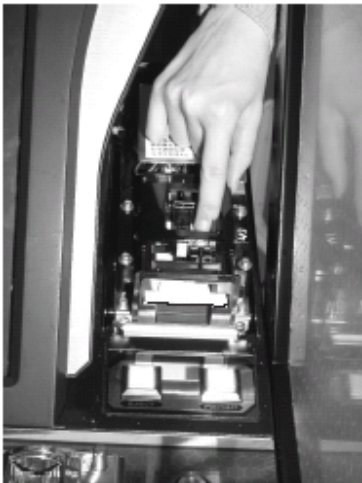


FIG.9-2

There are a variety of reasons a card may become jammed.

- An object other than an IC Card has been inserted
- String or other foreign objects are attached to the IC Card
- 3 or more IC Cards have been inserted

Although IC cards may function properly to play a game when there are objects such as stickers attached to them, they may jam when 2 stacked cards are inserted (when continuing the game).

Be sure to check the cause for the jamming after removing the card.