

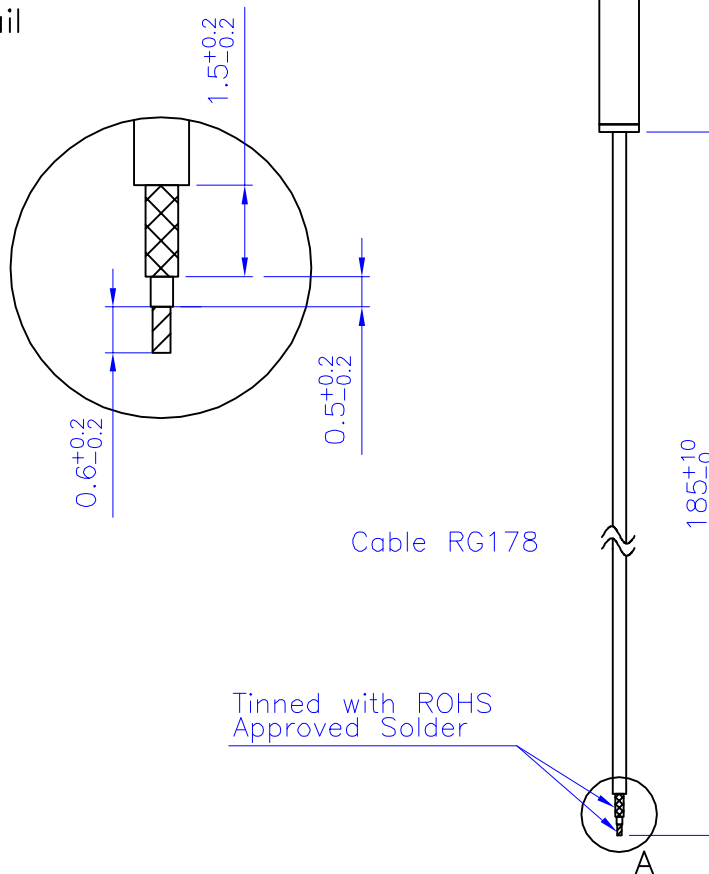
Electrical Properties:

Frequency Range: 2.4~2.5 GHz  
Impedance: 50Ω nominal  
VSWR: <2.0:1  
Gain: 2 dBi  
Radiation: Omni  
Polarization: Vertical  
Wave: Half Wave Dipole

Mechanical Properties:

Connector: N/A  
Material:  
  Antenna: Copper/Silver Plated  
  Cable: MIL-C-17/RG-178  
Operation Temp.: -20°C to +65°C  
Storage Temp.: -30°C to +75°C

A Detail



TITLE	2.4GHz Antenna / No overmold / No connector		DATE	SHEET
			01/30/07	1 OF 1
UNIT	DWG. NO.	AA02_01816-185		A4
mm				
SCALE	<b>NEARSON</b>			
NONE				

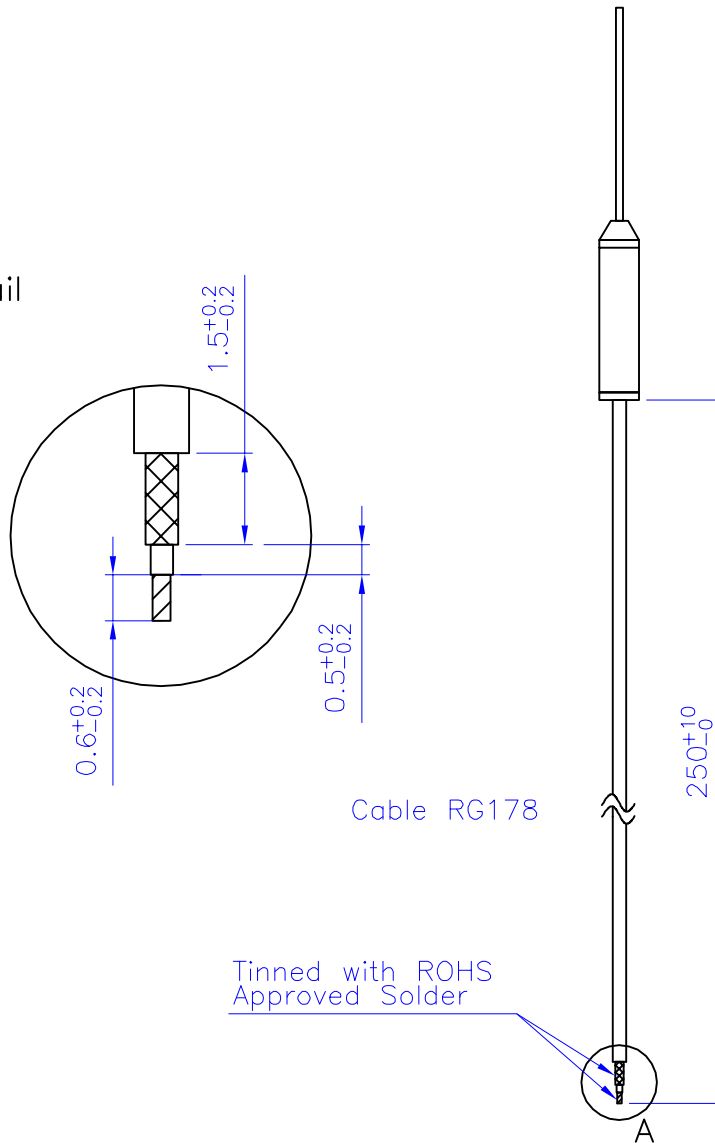
Electrical Properties:

Frequency Range: 2.4~2.5 GHz  
 Impedance: 50Ω nominal  
 VSWR: <2.0:1  
 Gain: 2 dBi  
 Radiation: Omni  
 Polarization: Vertical  
 Wave: Half Wave Dipole

Mechanical Properties:

Connector: N/A  
 Material:  
     Antenna: Copper/Silver Plated  
     Cable: MIL-C-17/RG-178  
 Operation Temp.: -20°C to +65°C  
 Storage Temp.: -30°C to +75°C

A Detail



TITLE	2.4GHz Antenna / No overmold / No connector		DATE	SHEET
			01/30/07	1 OF 1
UNIT	DWG. NO.	AA02_01816-250		A4
mm				
SCALE	<b>NEARSON</b>			
NONE				