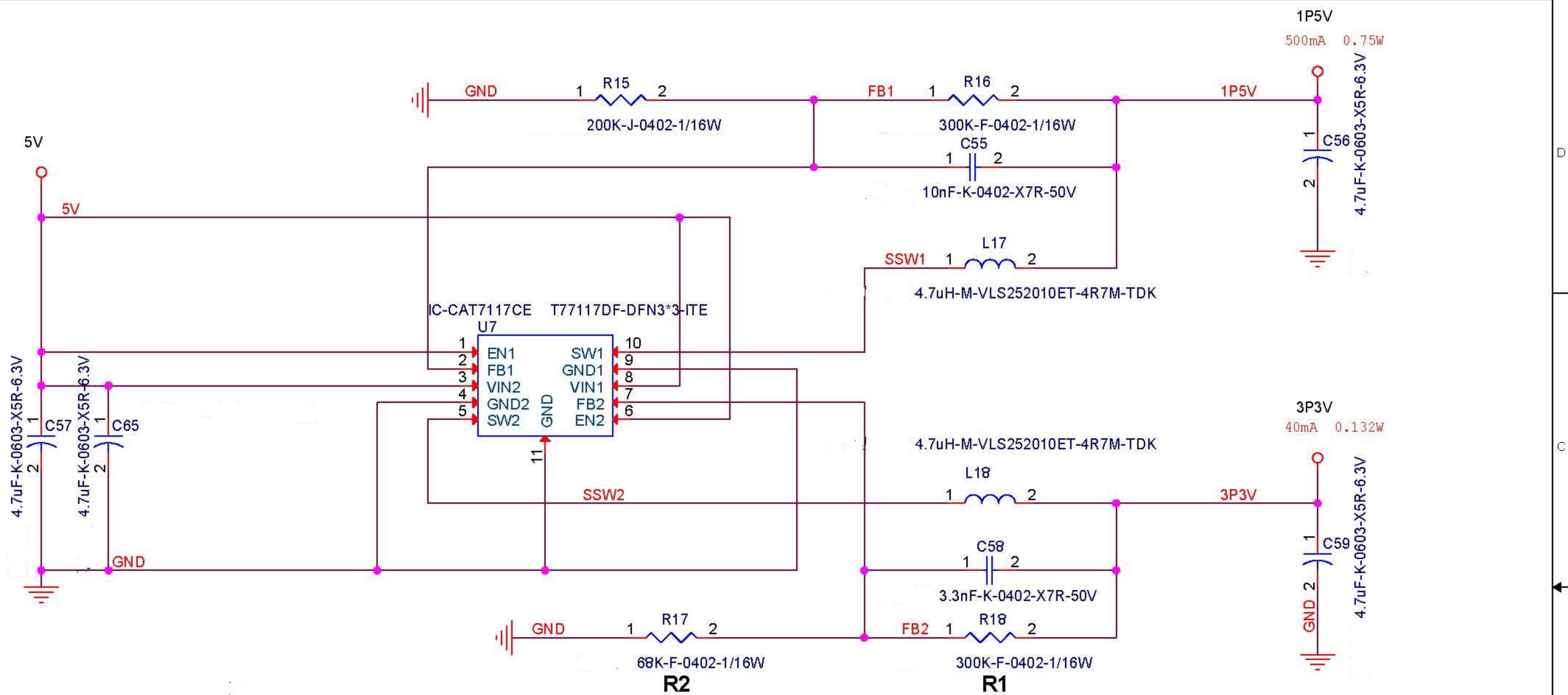
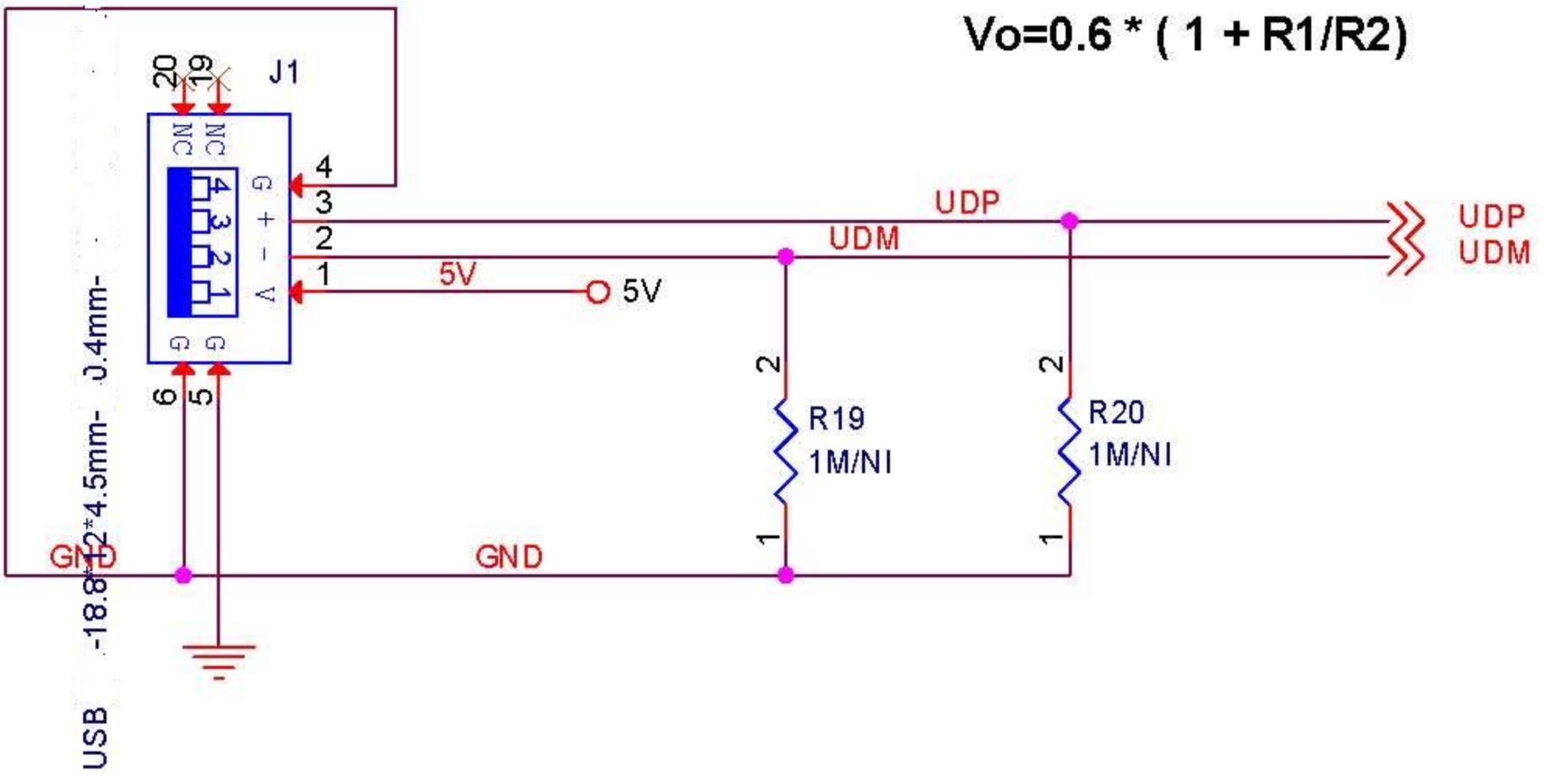

Product Name: Wireless USB 2.0 stick adapter plus extension cradle
Common Product: N/A

Network Interface Card

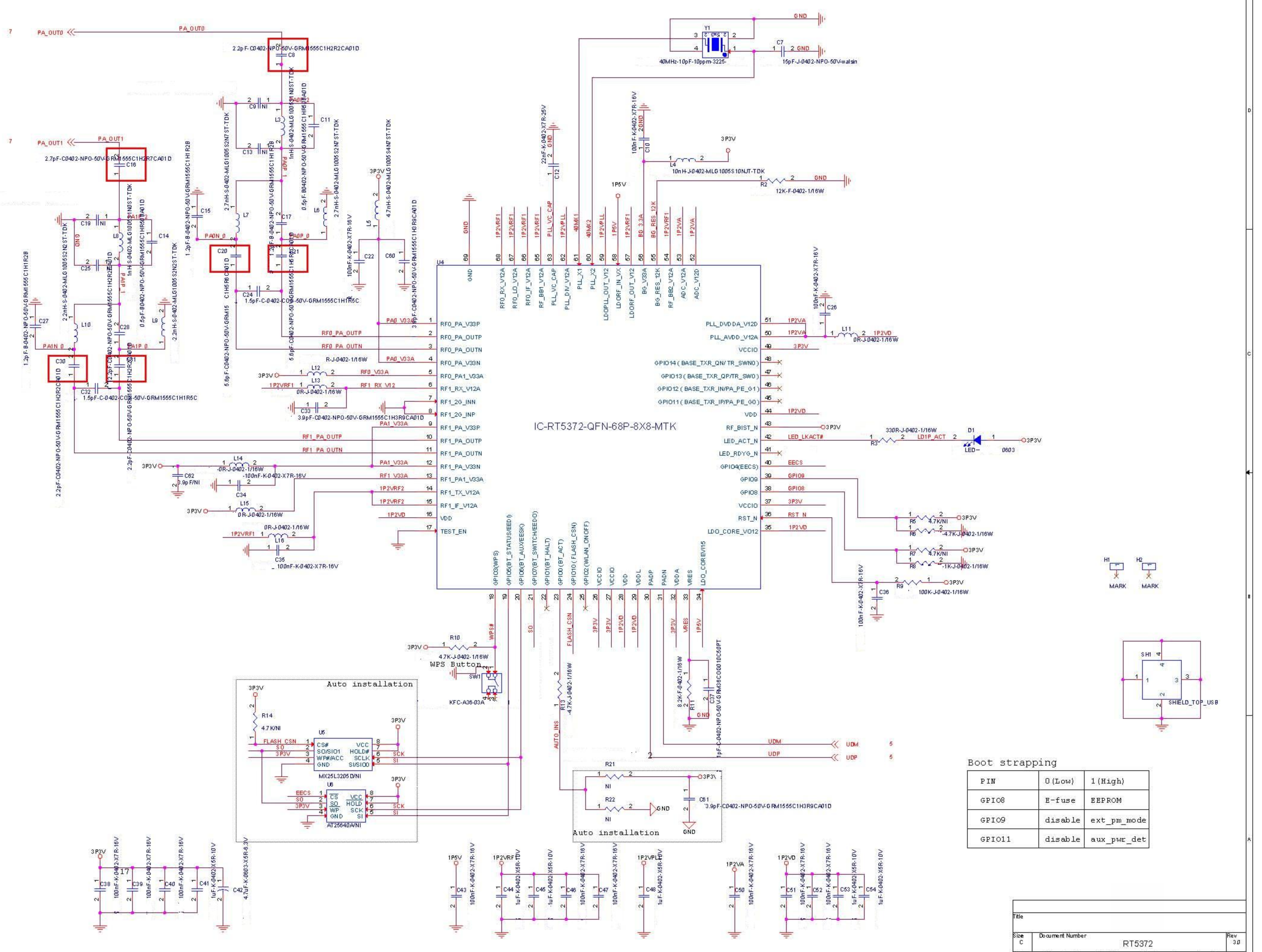
Title			
Size	Document Number	Cover Page	Rev
B			3.0
Date	Thursday, February 23, 2012	Sheet	1 of 7



$$V_o = 0.6 * (1 + R1/R2)$$



Title		
Size A	Document Number	Rev 3.0
Date:	Thursday, February 23, 2012	Sheet 5 of 7



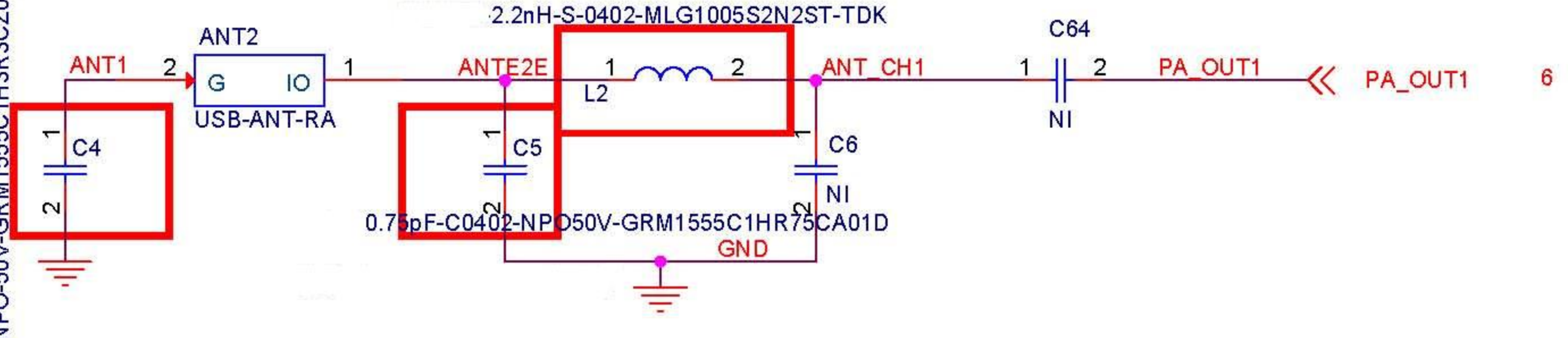
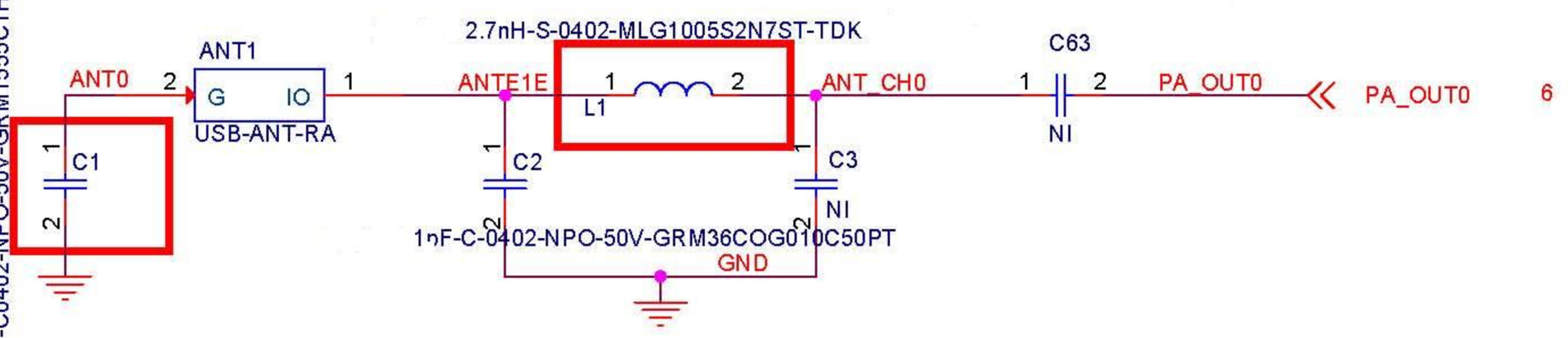
IC-RT5372-QFN-68P-8X8-MTK

Boot strapping

PIN	0 (Low)	1 (High)
GPIO8	E-fuse	EEPROM
GPIO9	disable	ext_pm_mode
GPIO11	disable	aux_pwr_det

3.3pF-C0402-NPO-50V-GRM1555C1H3R3CZ01D

3.3pF-C0402-NPO-50V-GRM1555C1H3R3CZ01D



Title		
Size A	Document Number	Rev 3.0
Date: Thursday, February 23, 2012		Sheet 7 of 7
Front End		